

AD CONVERTER WITH REMOTE PREAMP

AD8HR

SERVICE MANUAL



CONTENTS(目次)

SPECIFICATIONS (総合仕様).....	3
DIMENSIONS(寸法図)	6
PANEL LAYOUT (パネルレイアウト).....	7
CIRCUIT BOARD LAYOUT (ユニットレイアウト).....	8
DISASSEMBLY PROCEDURE (分解手順).....	9
LSI PIN DESCRIPTION (LSI端子機能表).....	13
IC BLOCK DIAGRAM (ICブロック図).....	19
CIRCUIT BOARD(シート基板図).....	22
GAIN SETUP (GAIN設定).....	30
TEST PROGRAM(テストプログラム).....	32/43
INSPECTIONS(総合検査).....	54/58
UPGRADE (バージョンアップ).....	62/65
ERROR MESSAGES(エラーメッセージ).....	68
PARTS LIST	
BLOCK DIAGRAM(ブロックダイアグラム)	
CIRCUIT DIAGRAM(回路図)	

IMPORTANT NOTICE

This manual has been provided for the use of authorized Yamaha Retailers and their service personnel. It has been assumed that basic service procedures inherent to the industry, and more specifically Yamaha Products, are already known and understood by the users, and have therefore not been restated.

WARNING : Failure to follow appropriate service and safety procedures when servicing this product may result in personal injury, destruction of expensive components and failure of the product to perform as specified. For these reasons, we advise all Yamaha product owners that all service required should be performed by an authorized Yamaha Retailer or the appointed service representative.

IMPORTANT : This presentation or sale of this manual to any individual or firm does not constitute authorization certification, recognition of any applicable technical capabilities, or establish a principal-agent relationship of any form.

The data provided is believed to be accurate and applicable to the unit(s) indicated on the cover. The research engineering, and service departments of Yamaha are continually striving to improve Yamaha products. Modifications are, therefore, inevitable and changes in specification are subject to change without notice or obligation to retrofit. Should any discrepancy appear to exist, please contact the distributor's Service Division.

WARNING : Static discharges can destroy expensive components. Discharge any static electricity your body may have accumulated by grounding yourself to the ground bus in the unit (heavy gauge black wires connect to this bus.)

IMPORTANT : Turn the unit OFF during disassembly and parts replacement. Recheck all work before you apply power to the unit.

WARNING: CHEMICAL CONTENT NOTICE!

The solder used in the production of this product contains LEAD. In addition, other electrical/electronic and/or plastic (Where applicable) components may also contain traces of chemicals found by the California Health and Welfare Agency (and possibly other entities) to cause cancer and/or birth defects or other reproductive harm.

DO NOT PLACE SOLDER, ELECTRICAL/ELECTRONIC OR PLASTIC COMPONENTS IN YOUR MOUTH FOR ANY REASON WHAT SO EVER!

Avoid prolonged, unprotected contact between solder and your skin! When soldering, do not inhale solder fumes or expose eyes to solder/flux vapor!

If you come in contact with solder or components located inside the enclosure of this product, wash your hands before handling food.

LITHIUM BATTERY HANDLING

This product uses a lithium battery for memory back-up.

WARNING : Lithium batteries are dangerous because they can be exploded by improper handling. Observe the following precautions when handling or replacing lithium batteries.

- Leave lithium battery replacement to qualified service personnel.
- Always replace with batteries of the same type.
- When installing on the PC board by soldering, solder using the connection terminals provided on the battery cells.
- Never solder directly to the cells. Perform the soldering as quickly as possible.
- Never reverse the battery polarities when installing.
- Do not short the batteries.
- Do not attempt to recharge these batteries.
- Do not disassemble the batteries.
- Never heat batteries or throw them into fire.

ADVARSEL!

Lithiumbatteri-Eksplosionsfare ved fejlagtig håndtering. Udskiftning må kun ske med batteri af samme fabrikat og type. Ilevér det brugte batteri tilbage til leverandren.

VAROITUS

Explosionsfara vid felaktigt batteribyte. Använd samma batterityp eller en ekvivalent typ som rekommenderas av apparattillverkaren. Kassera använt batteri enligt fabrikantens instruktion.

VAROITUS

Paristo voi räjähtää, jos se on virheellisesti asennettu. Vaihda paristo ainoastaan laitevalmistajan suosittelemaan tyyppiin. Hävitä käytetty paristo valmistajan ohjeiden mukaisesti.

The following information complies with Dutch official Gazette 1995. 45; ESSENTIALS OF ORDER ON THE COLLECTION OF BATTERIES.


- Please refer to the disassembly procedure for the removal of Back-up Battery.
- Leest u voor het verwijderen van de backup batterij deze beschrijving.

リチウム電池の取り扱い

<注意>

- リチウム電池を誤って交換すると爆発する危険があります。交換する場合は、サービスマニュアルで指定された部品を使用してください。

■ WARNING

Components having special characteristics are marked  and must be replaced with parts having specification equal to those originally installed.



印の商品は、安全を維持するために重要な部品です。交換する場合は、安全のために必ず指定の部品をご使用ください。

■ SPECIFICATIONS (総合仕様)

General Specifications

■ Analog Input

INPUT 1–8	
XLR-3-31	Balanced
AD converter	24-bit linear 128-times Oversampling

■ Digital Output

DIGITAL OUT A, B	
D-Sub 25-pin	Balanced

■ Connectors

WORD CLOCK IN (75Ω Auto Terminated):	BNC
WORD CLOCK OUT	BNC
HA REMOTE (PC-RS422):	D-Sub 9-pin with PC-RS422 switch
HA REMOTE (RS422):	D-Sub 9-pin

■ Controls

+48V Master Switch
GAIN/DATA encoder

■ Keys

[WORD CLOCK]
[SELECT1]–[SELECT8]
[+48V]
[HPF]

■ LEDs

WORD CLOCK	[44.1kHz]/[48kHz]/[88.2kHz]/[96kHz] /[WORD CLOCK IN]/[DIGITAL OUT A]
LEVEL METER 1–8	8x6 Segment
SELECT 1–8	
+48V 1–8, Selected Channel	
HPF 1–8, Selected Channel	
GAIN/DATA Display	7seg x3

■ Functions

HPF Frequency	20Hz–600Hz
GAIN	–62 dB to +10 dB (1 dB step)
INPUT GAIN TRIM	–1.5 dB to 1.5 dB (0.1 dB step)
AES/EBU Higher Sampling Rate	Data Output Format Double Speed / Double Channel
Panel Lock	
Panel Brightness	7 steps

■ Miscellaneous

Power Requirements	J: 100 V 35 W, 50/60 Hz U/C: 120 V 35 W, 60 Hz Others: 230 V 35 W, 50 Hz
Dimensions (HxDxW)	45 x 383.5 x 480 mm
Net Weight	5 kg
Operation free-air temperature range	5 to 40 °C
Storage temperature	–20 to 60 °C
Accessories	AC Cable (J: 3P/2P AC Plug Adaptor) Rubber Feet x 4 Owner's Manual

I/O Characteristics

Analog Input Specifications

Input Terminals	GAIN	Actual Load Impedance	For Use With Nominal	Input level		Connector
				Nominal	Max. before clip	
INPUT 1–8	–62 dB	3kΩ	50–600 Mics & 600 Lines	–62 dBu (615 μV)	–42 dBu (6.15 mV)	XLR-3-31 type (Balanced) ^{*1}
	+10 dB			+10 dBu (2.45 V)	+30 dBu (24.5 V)	

*1. XLR-3-31 type connectors are balanced. (1=GND, 2=HOT, 3=COLD)

*2. In these specifications, when dBu represents a specific voltage, 0dBu is referenced to 0.775 Vrms.

*3. AD converters are 24-bit linear, 128-times oversampling.

Digital I/O Specifications

Input/Output Terminals	Format	Level	Connector in Console
Input 1/2 (word clock only) ^{*1} Output 1–8 x 2	AES/EBU	RS422	D-SUB 25p Female
HA REMOTE x 2	—	RS422	D-SUB 9p Male
WORD CLOCK IN	—	TTL / 75Ω	BNC
WORD CLOCK OUT	—	TTL / 75Ω	BNC

*1. Input 1/2 on DIGITAL OUT A can be selected for word clock master.

*2. Fs= 44.1, 48, 88.2 and 96 kHz is supported.

*3. Double Channel mode is supported (Fs= 88.2, 96 kHz).

*4. When locked to the word clock received via WORD CLOCK IN, the word clock will be output from WORD CLOCK OUT.

Electrical Characteristics

Measured at DIGITAL OUT. Output impedance of signal generator: 150Ω.

Frequency Response

fs=44.1kHz or 48kHz @20Hz–20kHz, with reference to –1dBFs @1kHz

Input	Output	Conditions	MIN	TYP	MAX	UNITS
INPUT 1–8	DIGITAL OUT 1–8	GAIN: –62 dB	–3		1	dB
INPUT 1–8	DIGITAL OUT 1–8	GAIN: +10 dB	–1.5		1	dB

fs=88.2kHz or 96kHz@20Hz-40kHz, with reference to –1dBFs @1kHz

Input	Output	Conditions	MIN	TYP	MAX	UNITS
INPUT 1–8	DIGITAL OUT 1–8	GAIN: –62 dB	–3		1	dB
INPUT 1–8	DIGITAL OUT 1–8	GAIN: +10 dB	–1.5		1	dB

Gain Error @1kHz

Input	Output	Conditions	MIN	TYP	MAX	UNITS
INPUT 1–8	DIGITAL OUT 1–8	GAIN: –62dB to +10dB	–1		1	dB

Total Harmonic Distortion

fs=44.1kHz or 48kHz

Input	Output	Conditions	MIN	TYP	MAX	UNITS
INPUT 1–8	DIGITAL OUT 1–8	–1 dBFs output @1kHz GAIN: –62 dB			0.05	%
INPUT 1–8	DIGITAL OUT 1–8	–1 dBFs output @1kHz GAIN: +10 dB			0.01	%

fs=88.2kHz or 96kHz

Input	Output	Conditions	MIN	TYP	MAX	UNITS
INPUT 1–8	DIGITAL OUT 1–8	–1 dBFs output @1kHz GAIN: –62 dB			0.05	%
INPUT 1–8	DIGITAL OUT 1–8	–1 dBFs output @1kHz GAIN: +10 dB			0.01	%

Hum & Noise

fs=44.1kHz, 48kHz, 88.2kHz or 96kHz

Input	Output	Conditions	MIN	TYP	MAX	UNITS
INPUT 1–8	DIGITAL OUT 1–8	Rs=150Ω, GAIN: –62 dB		–80		dBFS
INPUT 1–8	DIGITAL OUT 1–8	Rs=150Ω, GAIN: +10 dB		–110		dBFS

* Hum & Noise are measured with an A-weighting filter.

EIN Measured with DA824 EIN=Equivalent Input Noise

Input	Output	Conditions	MIN	TYP	MAX	UNITS
INPUT 1–8	DIGITAL OUT 1–8	Rs=150Ω, GAIN: –62 dB			–128	dB

* EIN is measured with a 6 dB/octave filter @12.7 kHz; equivalent to a 20 kHz filter with infinite dB/octave attenuation.

Dynamic Range

Input	Output	Conditions	MIN	TYP	MAX	UNITS
INPUT 1–8	DIGITAL OUT 1–8	GAIN: +10 dB		110		dB

* Dynamic Range is measured with an A-weighting filter.

Crosstalk @1kHz

From/To	To/From	Conditions	MIN	TYP	MAX	UNITS
CH N	CH (N-1) or (N+1)	adjacent inputs GAIN: +10dB			–80	dB

Phantom Voltage

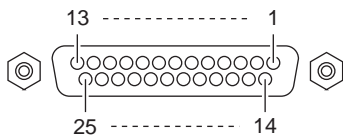
Output	Conditions	MIN	TYP	MAX	UNITS
INPUT 1–8	hot & cold: No load	46	48	50	V

■ LED Level Meter

Input	Output	Conditions	MIN	TYP	MAX	UNITS
INPUT 1-8	DIGITAL OUT 1-8	OVER red LED: ON		0		dBFs
		-6 amber LED: ON		-6		dBFs
		-12 amber LED: ON		-12		dBFs
		-18 amber LED: ON		-18		dBFs
		-30 green LED: ON		-30		dBFs
		-48 green LED: ON		-48		dBFs

Parameter		Conditions	MIN	TYP	MAX	UNITS	
Sampling Frequency	Frequency Range	Normal Rate	39.69		50.88	kHz	
		Double Rate	79.38		101.76	kHz	
	Jitter of PLL	DIGITAL IN fs=44.1kHz			10	ns	
		DIGITAL IN fs=48 kHz			10	ns	
		DIGITAL IN fs=39.69-50.88 kHz			20	ns	
		DIGITAL IN fs=88.2 kHz			10	ns	
		DIGITAL IN fs=96 kHz			10	ns	
DIGITAL IN fs=79.38-101.76 kHz			20	ns			
Internal Clock	Frequency	word clock : int 44.1 kHz		44.1		kHz	
		word clock : int 48 kHz		48		kHz	
		word clock : int 88.2 kHz		88.2		kHz	
		word clock : int 96 kHz		96		kHz	
	Accuracy	word clock : int 44.1 kHz				50	ppm
		word clock : int 48 kHz				50	ppm
		word clock : int 88.2 kHz				50	ppm
		word clock : int 96 kHz				50	ppm
	Jitter	word clock : int 44.1 kHz				5	ns
		word clock : int 48 kHz				5	ns
		word clock : int 88.2 kHz				5	ns
		word clock : int 96 kHz				5	ns
Signal Delay	analog input to digital output @fs=48 kHz			0.9		ms	
	@fs=96 kHz			0.45		ms	

DIGITAL OUT A/B Pin Assignment Table



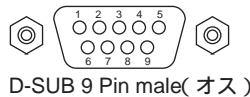
D-SUB 25 Pin female(メス)

Signal	Data In Ch *1	Data Out Ch				Open	GND	
	1-2	1-2	3-4	5-6	7-8			
Pin	Hot	1	5	6	7	8	2, 3, 4, 9,11,	10, 12, 13,
	Cold	14	18	19	20	21	15, 16, 17	22, 23, 24, 25

*1. Data In Ch can be received only on DIGITAL OUT A.

HA REMOTE Pin Assignment Table

Pin	Signal Name	Pin	Signal Name
1	N.C.	6	RX+/DSR*1
2	RX-/RXD *1	7	RTS
3	TX-/TXD *1	8	CTS
4	TX+/DTR *1	9	N.C.
5	GND		

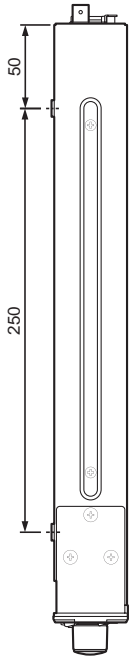


D-SUB 9 Pin male(オス)

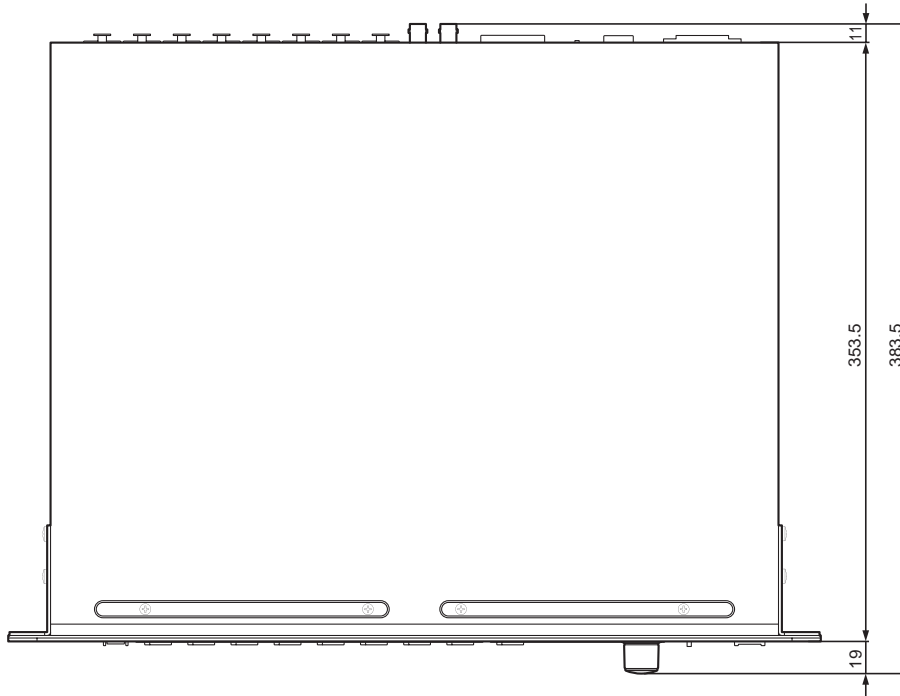
*1. RS422/PC

■ DIMENSIONS (寸法図)

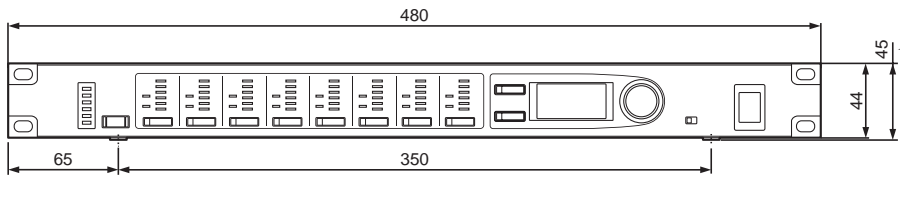
● Side view



● Top View



● Front view

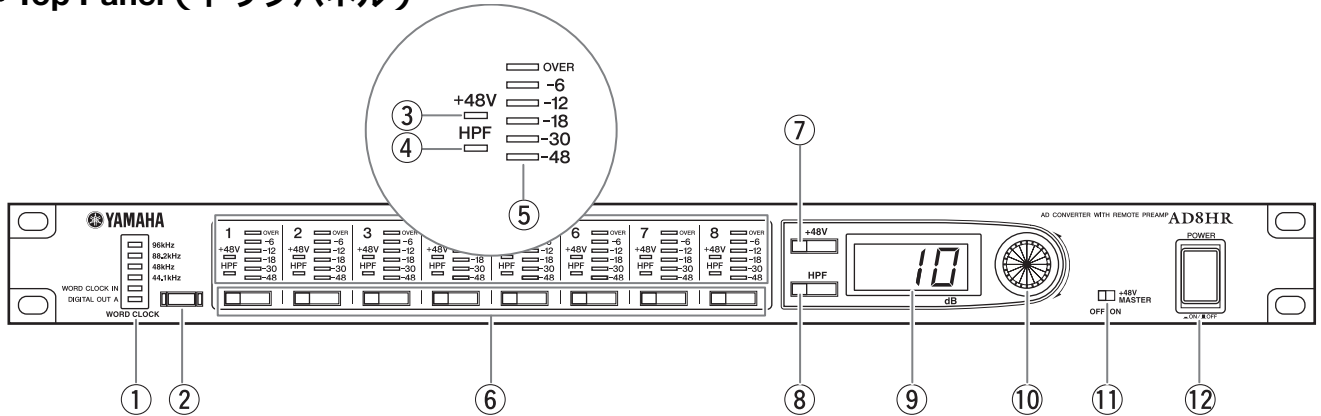


When the included rubber feet are attached.
(付属のゴム脚取り付け時*)

Unit: mm
(単位)

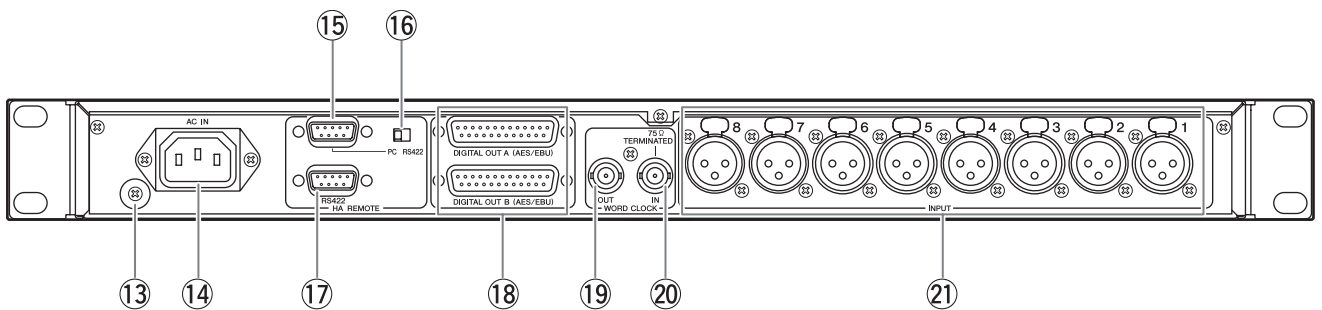
■ PANEL LAYOUT (パネルレイアウト)

● Top Panel (トップパネル)



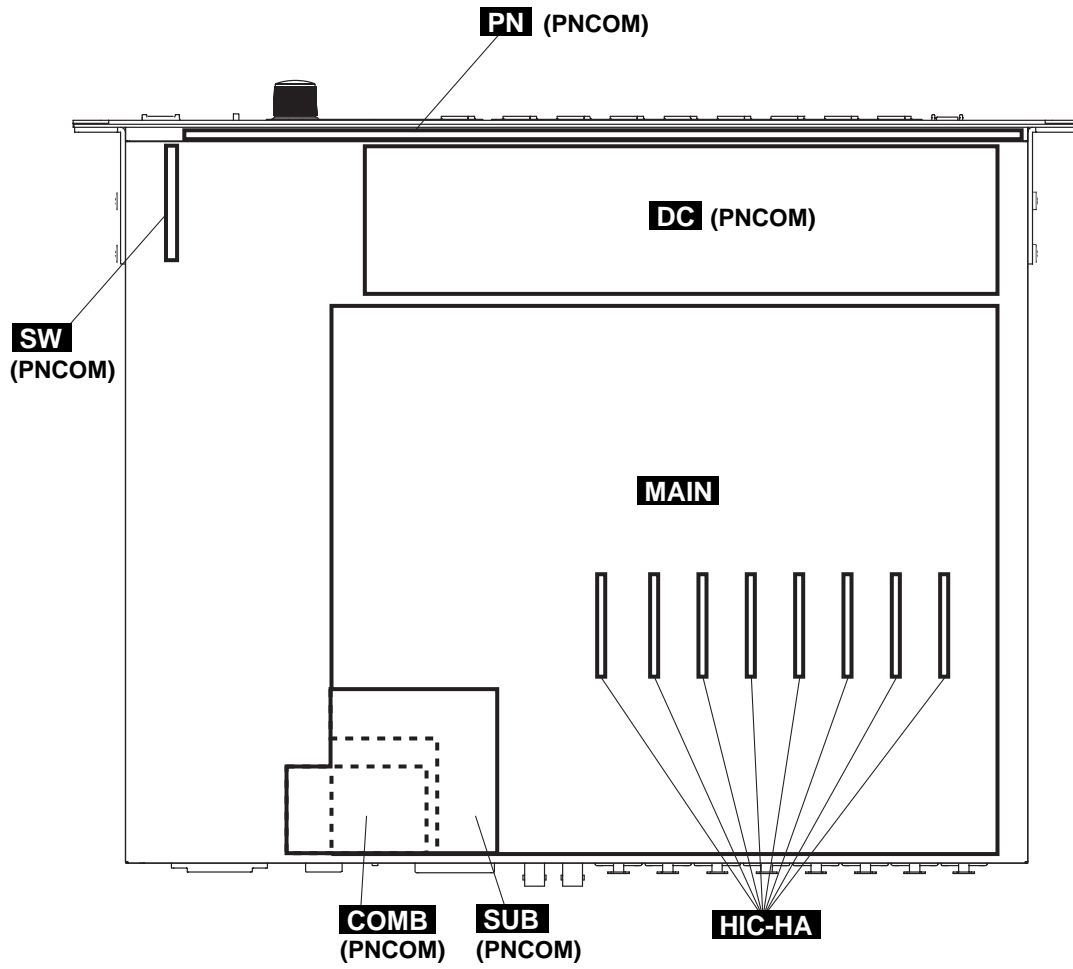
- ① WORD CLOCK indicators (WORD CLOCK インジケータ)
- ② [WORD CLOCK] button ([WORD CLOCK] ボタン)
- ③ +48V indicators (+48V インジケータ)
- ④ HPF indicators (HPF インジケータ)
- ⑤ Level meters (レベルメータ)
- ⑥ Channel Select buttons (チャンネル選択ボタン)
- ⑦ [+48V] button ([+48V] ボタン)
- ⑧ [HPF] button ([HPF] ボタン)
- ⑨ Gain display (GAIN ディスプレイ)
- ⑩ Gain control (GAIN コントロール)
- ⑪ [+48V MASTER] switch ([+48V MASTER] スイッチ)
- ⑫ [POWER] switch ([POWER] スイッチ)

● Rear Panel (リアパネル)



- ⑬ Grounding screwswitch (アース用ネジ)
- ⑭ [AC IN] connector ([AC IN] 端子)
- ⑮ [HA REMOTE] connector 1 ([HA REMOTE] 1 端子)
- ⑯ [PC RS422] switch ([PC RS422] スイッチ)
- ⑰ [HA REMOTE] connector 2 ([HA REMOTE] 2 端子)
- ⑱ [DIGITAL OUT A/B] connector ([DIGITAL OUT A/B] 端子)
- ⑲ [WORD CLOCK OUT] connector ([WORD CLOCK OUT] 端子)
- ⑳ [WORD CLOCK IN] connector ([WORD CLOCK IN] 端子)
- ㉑ INPUT 1-8 connectors (INPUT1 ~ 8 端子)

■ CIRCUIT BOARD LAYOUT (ユニットレイアウト)



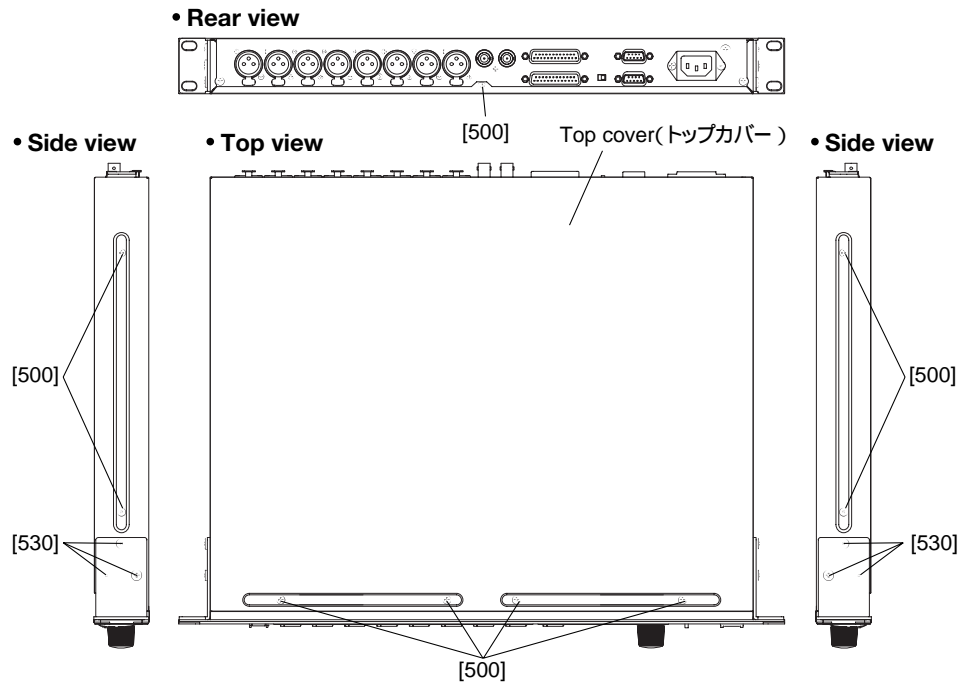
■ DISASSEMBLY PROCEDURE(分解手順)

1. Top cover (Time required: About 3 minute)

- 1-1. Remove the nine (9) screws marked [500] and the six (6) screws marked [530]. The top cover can then be removed. (Fig.1)

1. トップカバー (所要時間: 約 3分)

- 1-1. [500]のネジ9本と[530]のネジ6本を外し、トップカバーを外します。(図1)



[500]: Bind Head Tapping Screw-S (+ バインド S タイト)3.0X6 MFZN2BL (EP630210)

[530]: Bind Head Tapping Screw-S (+ バインド S タイト)4.0X8 MFZN2BL (VI693100)

Fig.1(図1)

2. SUB Circuit board

(Time required: About 4 minute)

- 2-1. Remove the top cover. (See Procedure 1.)
2-2. Remove the two (2) screws marked [A] and the two (2) screws marked [B]. The SUB circuit board can then be removed. (Photo. 1)

2. SUB シート (所要時間: 約 4分)

- 2-1. トップカバーを外します。(1項参照)
2-2. [A]のネジ2本と[B]のネジ2本を外し、SUBシートを外します。(写真1)

• Rear view

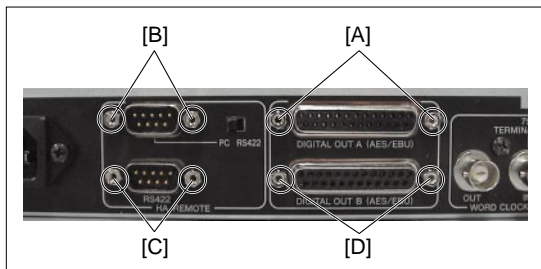


Photo. 1(写真1)

[A], [D]: Hex Locking Screw(六角ロックネジ)JFS-2.6S-BIWL (VS604900)

[B], [C]: Hex Locking Screw(六角ロックネジ)

3. COMB Circuit board

(Time required: About 4 minute)

- 3-1. Remove the top cover. (See Procedure 1.)
3-2. Remove the SUB circuit board. (See Procedure 2.)
3-3. Remove the two (2) screws marked [C]. The COMB circuit board can then be removed. (Photo. 1)

3. COMB シート (所要時間: 約 4分)

- 3-1. トップカバーを外します。(1項参照)
3-2. SUBシートを外します。(2項参照)
3-3. [C]のネジ2本を外し、COMBシートを外します。(写真1)

4. MAIN Circuit board

(Time required: About 7 minute)

- 4-1. Remove the top cover. (See Procedure 1.)
- 4-2. Remove the SUB circuit board. (See Procedure 2.)
- 4-3. Remove the COMB circuit board. (See Procedure 3.)
- 4-4. Remove the sixteen (16) screws marked [50], the screw marked [60], the seven (7) screws marked [70] and the two (2) screws marked [D]. The MAIN circuit board can then be removed. (Photo. 1, 2, 3)

* First of all, remove the push lever of the INPUT terminal for easy removal of the main circuit board.

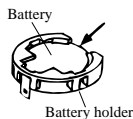
1. Insert with a latch-removing tool as shown in (A). (Photo 4)
2. Remove the push lever, using a knob extractor lever as shown in (B). (Photo 4)

• Lithium Battery (リチウム電池)

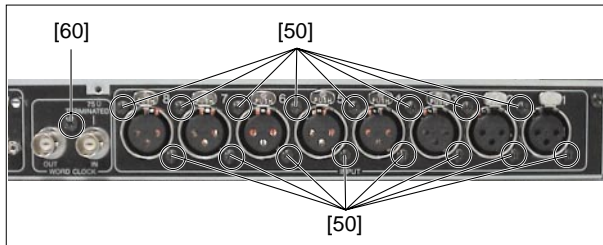
Battery VN103500
VN103600(Battery holder for VN103500)

• Notice for back-up battery removal
Push the battery as shown in figure,
then the battery will pop up.

• Druk de batterij naar beneden zoals
aangegeven in de tekening van batterij
springt dan naar voren.



• Rear view

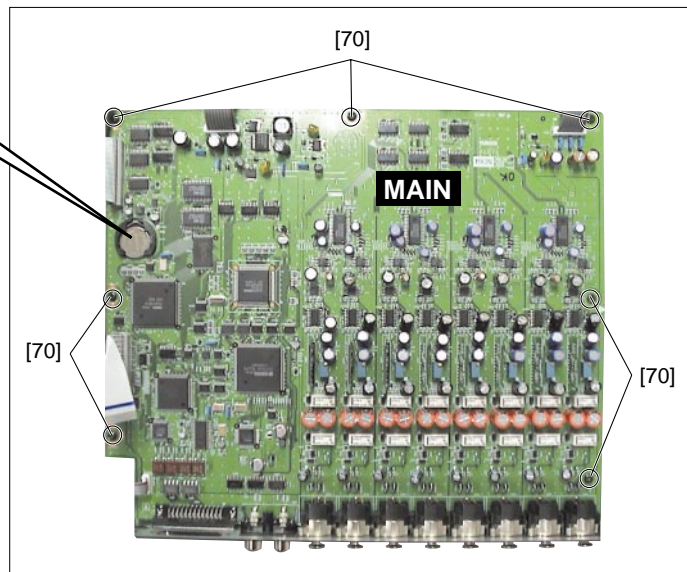


[50]: Bind Head Tapping Screw-B (+バインドBタイト)
2.6X8 MFZN2BL (VB096700)

[60]: Bind Head Tapping Screw-B (+バインドBタイト)
3.0X8 MFZN2BL (EP600190)

Photo. 2(写真2)

• Top view



[70]: Bind Head Tapping Screw-S (+バインドSタイト)
3.0X6 MFZN2BL (EP630210)

Photo. 3(写真3)

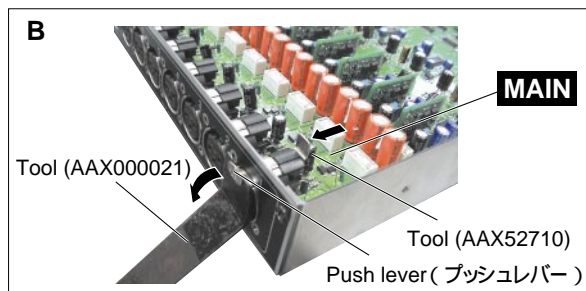
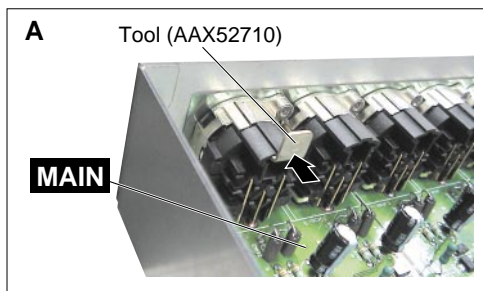


Photo. 4(写真4)

5. DC Circuit board

(Time required: About 3 minute)

- 5-1. Remove the top cover. (See Procedure 1.)
- 5-2. Remove the four (4) screws marked [230]. The DC circuit board can then be removed. (Photo. 5)

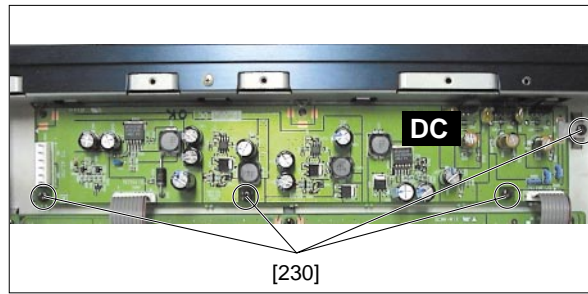
4. MAIN シート (所要時間: 約7分)

- 4-1. トップカバーを外します。(1項参照)
- 4-2. SUBシートを外します。(2項参照)
- 4-3. COMBシートを外します。(3項参照)
- 4-4. [50]のネジ16本、[60]のネジ1本、[70]のネジ7本、[D]のネジ2本を外し、MAINシートを外します。(写真1, 2, 3)
MAINシートを外す時は、INPUT端子のプッシュレバーを先に外すと、外しやすくなります。
1. ラッチ外し工具でAのように差し込みます。(写真4)
2. プッシュレバーをBのようにツマミ抜き取りレバーで外します。(写真4)

5. DC シート (所要時間: 約3分)

- 5-1. トップカバーを外します。(1項参照)
- 5-2. [230]のネジ4本を外し、DCシートを外します。(写真5)

• Top view



[230]: Bind Head Tapping Screw-S(+ バインド S タイト)3.0X6 MFZN2BL (EP630210)
Photo. 5(写真5)

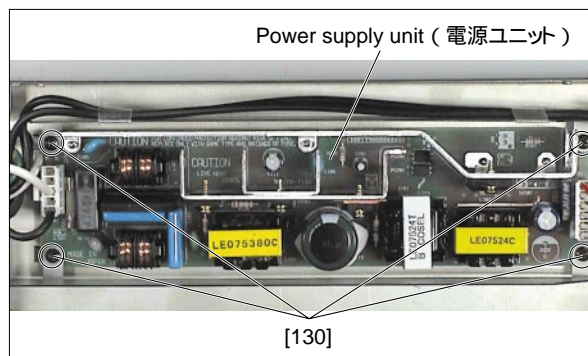
6. Power supply unit (Time required: About 4 minute)

- 6-1. Remove the top cover. (See Procedure 1.)
6-2. Remove the four (4) screws marked [130]. The power supply unit can then be removed. (Photo. 6)

6. 電源ユニット (所要時間: 約4分)

- 6-1. トップカバーを外します。(1項参照)
6-2. [130]のネジ4本を外し、電源ユニットを外します。(写真6)

• Top view



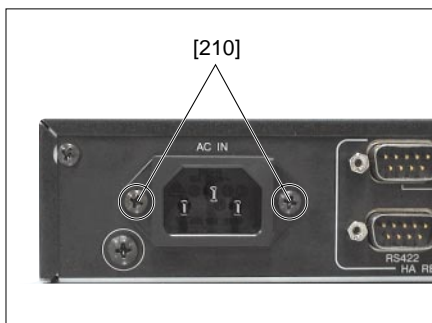
[130]: Bind Head Tapping Screw-S(+ バインド S タイト)3.0X6 MFZN2BL (EP630210)
Photo. 6(写真6)

7. AC inlet assembly (Time required: About 3 minute)

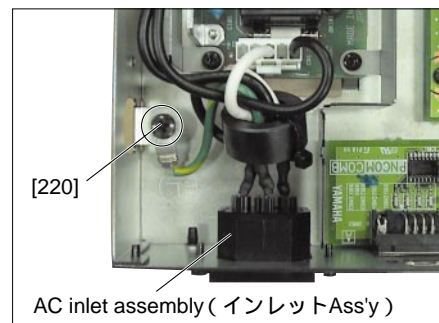
- 7-1. Remove the top cover. (See Procedure 1.)
7-2. Remove the two (2) screws marked [210] and the screw marked [220]. The AC inlet assembly can then be removed. (Photo. 7, 8)

7. インレット Ass'y (所要時間: 約3分)

- 7-1. トップカバーを外します。(1項参照)
7-2. [210]のネジ2本、[220]のネジ1本を外し、インレット Ass'y を外します。(写真7, 8)



[210]: Bind Head Tapping Screw-B(+ バインド B タイト)
3.0X8 MFZN2BL (EP600190)
Photo. 7(写真7)



[220]: Bind Head Screw (+ バインド小ネジ)
4.0X8 MFZN2BL (EG340360)
Photo. 8(写真8)

8. Front panel (Time required: About 4 minute)

- 8-1. Remove the top cover. (See Procedure 1.)
- 8-2. Remove the screw marked [460], the three (3) screws marked [470], the knob (GAIN control) and the hexagonal nut of a front panel side. The front panel can then be removed. (Photo. 9, 10, 11)

8. フロントパネル (所要時間: 約 4 分)

- 8-1. トップカバーを外します。(1 項参照)
- 8-2. [460]のネジ1本,[470]のネジ3本を外し、フロントパネル面のツマミ(GAINコントロール)と特殊六角ナット1個を外し、フロントパネルを外します。(写真 9, 10, 11)

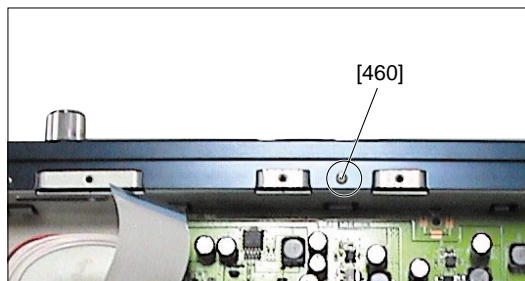
9. SW Circuit board (Time required: About 4 minute)

- 9-1. Remove the top cover. (See Procedure 1.)
- 9-2. Remove the front panel. (See Procedure 8.)
- 9-3. Remove the button PSW. (Photo. 12)
- 9-4. Remove the two (2) screws marked [280]. The SW circuit board can then be removed. (Photo. 12)

9. SW シート (所要時間: 約 4 分)

- 9-1. トップカバーを外します。(1 項参照)
- 9-2. フロントパネルを外します。(8 項参照)
- 9-3. ボタン PSW を外します。(写真 12)
- 9-4. [280]のネジ2本を外し、SW シートを外します。(写真 12)

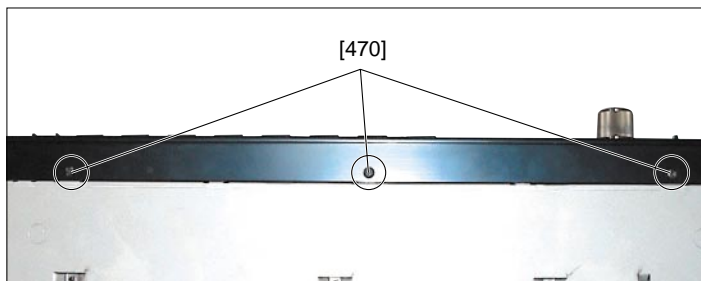
• Top view



[460]: Flat Head Screw-S (S タイプ平頭)
3.0X6 MFAN2Y (WB451000)

Photo. 9(写真9)

• Bottom view



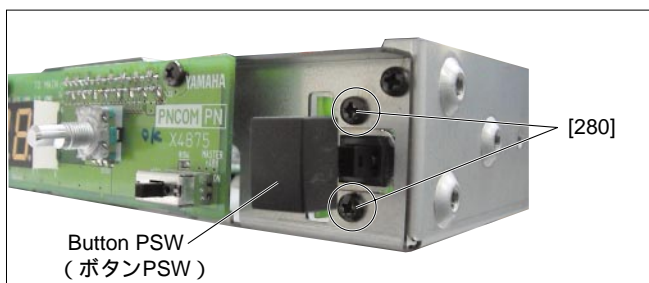
[470]: Bind Head Tapping Screw-S (+ バインド S タイプ)
3.0X6 MFZN2BL (EP630210)

Photo. 10(写真10)

• Front view



Photo. 11(写真11)



[280]: Bind Head Tapping Screw-S (+ バインド S タイプ)
3.0X6 MFZN2BL (EP630210)

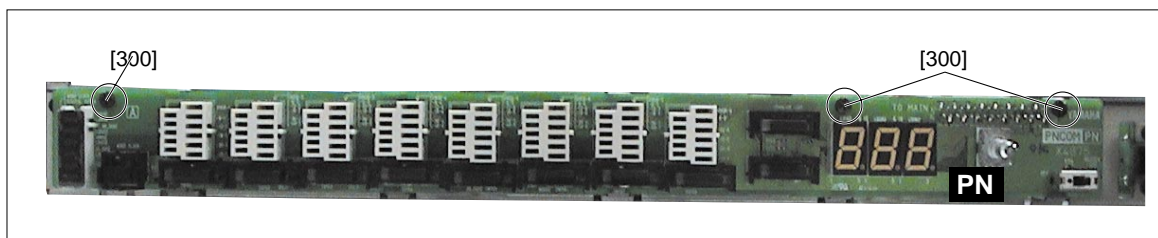
Photo. 12(写真12)

10. PN Circuit board (Time required: About 4 minute)

- 10-1. Remove the top cover. (See Procedure 1.)
- 10-2. Remove the front panel. (See Procedure 8.)
- 10-3. Remove the three (3) screws marked [300]. The PN circuit board can then be removed. (Photo. 13)

10. PN シート (所要時間: 約 4 分)

- 10-1. トップカバーを外します。(1 項参照)
- 10-2. フロントパネルを外します。(8 項参照)
- 10-3. [300]のネジ3本を外し、PN シートを外します。(写真 13)



[300]: Bind Head Tapping Screw-S (+ バインド S タイプ)3.0X6 MFZN2BL (EP630210)

Photo. 13(写真13)

LSI PIN DESCRIPTION (LSI 端子機能表)

● HD6437042AF53 (XY721A00) CPU

MAIN: IC2

PIN NO.	NAME	I/O	FUNCTION	PIN NO.	NAME	I/O	FUNCTION
1	TIOC4/DACK0/PE14	I/O	MTU I/O / DMA acknowledge / Port E	57	D11	I/O	Data bus
2	PE15	O	Port E	58	D10	I/O	
3	VSS	I	Ground	59	D9	I/O	
4	A0	O					
5	A1	O	Address bus	60	D8	I/O	
6	A2	O					
7	A3	O					
8	A4	O					
9	A5	O					
10	A6	O					
11	A7	O					
12	A8	O					
13	A9	O					
14	A10	O					
15	A11	O					
16	A12	O					
17	A13	O					
18	A14	O					
19	A15	O					
20	A16	O					
21	VCC	I	Power supply	61	VSS	I	Ground
22	A17	O	Address bus	62	D7	I/O	Data bus
23	VSS	I	Ground	63	D6	I/O	
24	/RAS/PB2	I/O	Row address strobe / Port B	64	D5	I/O	Power supply
25	/CASL/PB3	I/O	Column address strobe (low) / Port B	65	VCC	I	
26	/CASH/PB4	I/O	Column address strobe (high) / Port B	66	D4	I/O	Data bus
27	VSS	I	Ground	67	D3	I/O	
28	/RDWR / PB5	I/O	DRAM read / write / Port B	68	D2	I/O	
29	A18/BACK/PB6	I/O	Address bus / Bus acknowledge / Port B	69	D1	I/O	Ground
30	A19/BREQ/PB7	I/O	Address bus / Bus request / Port B	70	D0	I/O	
31	A20/PB8	O	Address bus/ Port B	71	VSS	I	Ground
32	A21/PB9	O					
33	VSS	I	Ground	72	XTAL	I	Crystal oscillator
34	/RD	O	Read	73	MD3	I	Mode control
35	/WDTOVF	O	Watch dog timer overflow	74	EXTAL	I	Crystal oscillator
36	/WRH	O	High write	75	MD2	I	Mode control
37	VCC	I	Power supply	76	NMI	I	Non-maskable interrupt request
38	/WRL	O	Low write	77	VCC	I	Power supply
39	VSS	I	Ground	78	MD1	I	Mode control
40	/CS1	O	Chip select	79	MD0	I	Mode control
41	/CS0	O	Chip select	80	PLL VCC	I	PLL Power supply
42	/IRQ3/TCLKD/PA9	I/O	Interrupt request / Timer clock/ Port A	81	PLL CAP	I	PLL capacitor
43	TCLKC/IRQ2/PA8	I/O	Timer clock / Interrupt request / Port A	82	PLL VSS	I	PLL Ground
44	/CS3	O	Chip select	83	PA15 / CK	O	Port A / Clock
45	/CS2	O	Chip select	84	/RES	I	Power on reset
46	/IRQ1/PA5	I/O	Interrupt request / Port A	85	PE0/DREQ0	I/O	Port E / DMA request
47	TXD1	O	Data transmission	86	PE1/DRAK0	O	Port E / DMA acknowledge
48	RXD1	I	Data reception	87	PE2	O	Port E
49	/IRQ0/PA2	I/O	Interrupt request / Port A	88	PE3	O	
50	TXD0	O	Data transmission	89	PE4	O	Ground
51	RXD0	I	Data reception	90	VSS	I	
52	D15	I/O	Data bus	91	PF0 / AN0	I	Port F / Analog input
53	D14	I/O					
54	D13	I/O	Ground	92	PF1 / AN1	I	
55	VSS	I		Ground	93	PF2 / AN2	I
56	D12	I/O	Data bus	94	PF3 / AN3	I	Port F / Analog input
				95	PF4 / AN4	I	
				96	PF5 / AN5	I	Analog ground
				97	AVSS	I	
				98	PF6 / AN6	I	Port F / Analog input
				99	PF7 / AN7	I	
				100	AVCC	I	Power supply
				101	VSS	I	Ground
				102	PE5	O	Port E
				103	VCC	I	Power supply
				104	PE6	I/O	Port E
				105	PE7	I/O	
				106	PE8	I/O	Ground
				107	PE9	O	
				108	PE10	O	Port E
				109	VSS	I	
				110	PE11	O	Ground
				111	PE12	O	
				112	/MRES	I	Manual reset

● S1L51252F32S000 (X3775A00) PLLP2 (Gate Array)

MAIN: IC52

PIN NO.	NAME	I/O	FUNCTION	PIN NO.	NAME	I/O	FUNCTION
1	(NC)	-	(Connected to VSS on P.C.B.)	105	(NC)	-	(Pulled up on P.C.B.)
2	(NC)	-	(Pulled up on P.C.B.)	106	VDD	-	Power supply
3	PB8	O	Output port B8	107	(NC)	-	(Connected to VSS on P.C.B.)
4	PB9	O	Output port B9	108	(NC)	-	(Connected to VSS on P.C.B.)
5	VDD	-	IO power supply (3.3V)	109	VSS	-	Ground
6	VSS	-	Ground	110	VDD	-	Power supply
7	PA0	O	Output port A0	111	NCSDSP7	O	Chip select (DSP7_ALL)
8	NCSIN6	I	CPU chip select 6	112	NCSDSP6	O	Chip select (DSP6_ALL)
9	NCSIN5	I	CPU chip select 5	113	PA9	O	Output port A9
10	NRD	I	CPU read enable	114	MCK256O	O	256FS synchronous clock output
11	NWRH	I	CPU write enable H	115	MCK256MI	I	256FS synchronous clock input (Master)
12	NWRL	I	CPU write enable L	116	MCK256SI	I	256FS synchronous clock input (Slave)
13	PA1	O	Output port A1	117	VSS	-	Ground
14	ADH1	I	CPU address bus 11	118	VDD	-	Power supply
15	ADH2	I	CPU address bus 12	119	ICK45	I	For internal clock 88.2k, 44.1k
16	ADH3	I	CPU address bus 13	120	ICK49	I	For internal clock 96k, 48k
17	ADH4	I	CPU address bus 14	121	DIR2XI	O	Clock for X1 of DIR2
18	ADH5	I	CPU address bus 15	122	PA10	O	Output port A10
19	PA2	O	Output port A2	123	VSS	-	Ground
20	VSS	-	Ground	124	VDD	-	Power supply
21	VDD	-	Internal power supply (2.5V)	125	EXTWC1	I	External word clock input 1
22	VDD	-	IO power supply (3.3V)	126	EXTWC2	I	External word clock input 2
23	VSS	-	Ground	127	EXTWC3	I	External word clock input 3
24	ADL1	I	CPU address bus 1	128	EXTWC4	I	External word clock input 4
25	ADL2	I	CPU address bus 2	129	VSS	-	Ground
26	ADL3	I	CPU address bus 3	130	VDD	-	Power supply
27	ADL4	I	CPU address bus 4	131	EXTWC2561	I	External WC (256FS) input 1
28	ADL5	I	CPU address bus 5	132	EXTWC2562	I	External WC (256FS) input 2
29	ADL6	I	CPU address bus 6	133	PA11	O	Output port A11
30	ADL7	I	CPU address bus 7	134	DIRMCA	I	MCA input of DIR2
31	ADL8	I	CPU address bus 8	135	DIRMCB	I	MCB input of DIR2
32	VSS	-	Ground	136	DIRWC	I	WC input of DIR2
33	VDD	-	Internal power supply (2.5V)	137	VSS	-	Ground
34	VDD	-	IO power supply (3.3V)	138	VDD	-	Power supply
35	VSS	-	Ground	139	DIRMCC	I	MCC input of DIR2
36	DT0	I/O	CPU data bus 0	140	DIRSYNC	I	SYNC input of DIR2
37	DT1	I/O	CPU data bus 1	141	EXTWCSEL	O	EXTWC clock select output
38	DT2	I/O	CPU data bus 2	142	DIRWCSEL	O	DIRWC clock select output
39	DT3	I/O	CPU data bus 3	143	PA12	O	Output port A12
40	DT4	I/O	CPU data bus 4	144	PLLOUT	I	PLL VCO OUT input
41	DT5	I/O	CPU data bus 5	145	VSS	-	Ground
42	VDD	-	IO power supply (3.3V)	146	VDD	-	Power supply
43	VSS	-	Ground	147	PCPOUT	O	EXT WC SEL to MWC comparison circuit output
44	DT6	I/O	CPU data bus 6	148	PA13	O	Output port A13
45	DT7	I/O	CPU data bus 7	149	M256FS	O	Master clock (256FS)
46	DT8	I/O	CPU data bus 8	150	M128FS	O	System clock (128FS)
47	DT9	I/O	CPU data bus 9	151	VSS	-	Ground
48	VDD	-	Internal power supply (2.5V)	152	VDD	-	Power supply
49	VSS	-	Ground	153	(NC)	-	(Connected to VDD on P.C.B.)
50	(NC)	-	(Connected to VDD on P.C.B.)	154	(NC)	-	(Connected to VSS on P.C.B.)
51	(NC)	-	(Connected to VDD on P.C.B.)	155	(NC)	-	(Pulled up on P.C.B.)
52	(NC)	-	(Pulled up on P.C.B.)	156	(NC)	-	(Pulled up on P.C.B.)
53	DT10	I/O	CPU data bus 10	157	M64FS	O	System clock (64FS)
54	DT11	I/O	CPU data bus 11	158	MWC	O	Word clock
55	DT12	I/O	CPU data bus 12	159	MSYNC	O	Synchronous signal
56	DT13	I/O	CPU data bus 13	160	PA14	O	Output port A14
57	DT14	I/O	CPU data bus 14	161	WCO_BNC	O	WC output for BNC connector
58	DT15	I/O	CPU data bus 15	162	PA15	O	Output port A15
59	VSS	-	Ground	163	FS256_SLOT1	O	Clock (256FS) for MY_SLOT1
60	PA3	O	Output port A3	164	FS256_SLOT2	O	Clock (256FS) for MY_SLOT2
61	NTCWAIT	O	CPU wait signal	165	VDD	-	Power supply
62	NCSIO3V	O	Chip select (103V)	166	SYNC_SLOT1	O	Synchronous signal for MY_SLOT1
63	NCSIO5V	O	Chip select (105V)	167	SYNC_SLOT2	O	Synchronous signal for MY_SLOT2
64	NCSJK1	O	Chip select (JK1)	168	PB0	O	Output port 80
65	NCSCONT	O	Chip select (CONT)	169	SLOT_12M	O	Clock (12MHz) for MY_SLOT
66	VDD	-	Power supply	170	SLOT_6M	O	Clock (6MHz) for MY_SLOT
67	NCSSLOT1	O	Chip select (SLOT1)	171	VSS	-	Ground
68	NCSSLOT2	O	Chip select (SLOT2)	172	SLOT_3M	O	Clock (3MHz) for MY_SLOT
69	NCSSIO4	O	Chip select (S104)	173	PB1	O	Output port B1
70	NCSREC2	O	Chip select (REC2)	174	SLOT_48K	O	Word clock (48/44) for MY_SLOT
71	NCSMTLED	O	Chip select (MTLED)	175	SLOT_48S	O	Synchronous signal (48/44) for MY_SLOT
72	VDD	-	Power supply	176	PB2	O	Output port B2
73	NCSUSB	O	Chip select (USB)	177	ANA256FS	O	Clock for analog circuit
74	NCSSMPTE	O	Chip select (SMPTE)	178	VDD	-	Power supply
75	NCSUART	O	Chip select (UART)	179	NLOCK	I	PLL lock detect signal
76	VSS	-	Ground	180	NDIRLOCK	I	DIR2 PLL lock signal
77	VDD	-	Power supply	181	VSS	-	Ground
78	NRES	I	System reset	182	SCANEN	I	Scan test input
79	CPUCLK	I	CPU clock	183	ATPGEN	I	ATPG test input
80	(NC)	-	(Connected to VSS on P.C.B.)	184	TSTEN	I	Test mode selection
81	VSS	-	Ground	185	VDD	-	Power supply
82	VSS	-	Ground	186	TRRERR1	I	2TR DIN UNLOCK input
83	NCSATSC1	O	Chip select (ATSC1)	187	TRRERR2	I	2TR DIN UNLOCK input
84	VDD	-	Power supply	188	VSS	-	Ground
85	NCSATSC2	O	Chip select (ATSC2)	189	PB3	O	Output port B3
86	PA4	O	Output port A4	190	NMLOCKSEL	O	Lock select output
87	PA5	O	Output port A5	191	NLOCKRTN	I	Lock delay input
88	PA6	O	Output port A6	192	PB4	O	Output port B4
89	NCTSYNCO	O	Internal counter synchronous signal output	193	MUTEIN	I	Mute input
90	NCTSYNCI	I	Internal counter synchronous signal input	194	VDD	-	Power supply
91	VDD	-	Power supply	195	MUTEOUT1	O	Mute output 1
92	NCSDSP71	O	Chip select (DSP7_1)	196	MUTEOUT2	O	Mute output 2
93	NCSDSP72	O	Chip select (DSP7_2)	197	MUTEOUT3	O	Mute output 3
94	NCSDSP73	O	Chip select (DSP7_3)	198	MUTEOUT4	O	Mute output 4
95	NCSDSP74	O	Chip select (DSP7_4)	199	MUTEOUT5	O	Mute output 5
96	NCSDSP75	O	Chip select (DSP7_5)	200	NMUTEOUT6	O	Mute output 6
97	NCSDSP76	O	Chip select (DSP7_6)	201	VDD	-	Power supply
98	VDD	-	Power supply	202	PB5	O	Output port B5
99	PA7	O	Output port A7	203	DOUBLE	O	Register setting value output
100	PA8	O	Output port A8	204	K48K96	O	Register setting value output
101	NCSDSP61	O	Chip select (DSP6_1)	205	PB6	O	Output port B6
102	NCSDSP62	O	Chip select (DSP6_2)	206	SLOT1_16CH	O	SLOT1 16/8 ch selection
103	NCSDSP63	O	Chip select (DSP6_3)	207	SLOT2_16CH	O	SLOT2 16/8 ch selection
104	NCSDSP64	O	Chip select (DSP6_4)	208	PB7	O	Output port B7

● YSS919B-H (XZ693B00) DSP7 (Digital Signal Processor)

MAIN: IC902

PIN NO.	NAME	I/O	FUNCTION	PIN NO.	NAME	I/O	FUNCTION			
1	PLLEN	I	PLL enable input (0: PLL unuse, 1: PLL use)	105	SIO32	I/O	Serial data bus			
2	/TEST	I	Test mode setting (0: TEST, 1: Normal)	106	SIO33	I/O				
3	AVss	I	Analog ground	107	SIO34	I/O				
4	CPO	I/O	PLL filter	108	SIO35	I/O				
5	AVdd	I	Power supply (2.5 V)	109	SIO36	I/O				
6	Vss	I	Ground	110	SIO37	I/O				
7	Vdd	I	Power supply (3.3 V)	111	SIO38	I/O				
8	/IC	I	Initial clear	112	SIO39	I/O				
9	/MUTE	I	Mute control (0: SIO mute, 1: SIO normal in-out)	113	Vdd	I/O		Power supply (2.5 V) Ground		
10	/SSYNC	I	Serial I/O Sync. signal input	114	Vss	I/O				
11	MCKS	I	Serial I/O master clock input (128 x Fs)	115	SIO40	I/O	Serial data bus			
12	XI	I	System master clock input (60 MHz or 15 MHz)	116	SIO41	I/O				
13	BTYP	I	Data bus type select (0: 16 bits, 1: 32 bits)	117	SIO42	I/O				
14	/CS	I	Chip select	118	SIO43	I/O				
15	/WR	I	Write enable input	119	SIO44	I/O				
16	/RD	I	Read enable input	120	SIO45	I/O				
17	CA7	I	CPU address bus	121	SIO46	I/O				
18	CA6	I								
19	CA5	I								
20	CA4	I								
21	CA3	I								
22	CA2	I	Ground Power supply (3.3 V)	122	SIO47	I/O				
23	Vss	I								
24	Vdd	I	Serial data bus	123	Vss	I/O				
25	CD31/CA1	I/O		Power supply (3.3 V)	124	Vdd	I/O			
26	CD30	I/O		CPU data bus / CPU address bus	125	SIO48	I/O			
27	CD29	I/O		CPU data bus	126	SIO49	I/O			
28	CD28	I/O								
29	CD27	I/O								
30	CD26	I/O								
31	CD25	I/O								
32	CD24	I/O								
33	Vdd	I			Serial data bus	127	SIO50	I/O		
34	Vss	I	Power supply (2.5 V)			128	SIO51	I/O		
35	CD23	I/O	Ground			129	SIO52	I/O		
36	CD22	I/O	CPU data bus			130	SIO53	I/O		
37	CD21	I/O								
38	CD20	I/O								
39	CD19	I/O								
40	CD18	I/O								
41	CD17	I/O								
42	CD16	I/O		Serial data bus		131	SIO54	I/O		
43	Vss	I			Power supply (2.5 V)	132	SIO55	I/O		
44	Vdd	I			Ground	133	Vss	I/O		
45	CD15	I/O			CPU data bus	134	SIO56	I/O		
46	CD14	I/O								
47	CD13	I/O								
48	CD12	I/O								
49	CD11	I/O								
50	CD10	I/O								
51	CD09	I/O	Memory data bus			135	SIO57	I/O		
52	CD08	I/O		Power supply (3.3 V)		136	SIO58	I/O		
53	Vss	I		Ground		137	SIO59	I/O		
54	CD07	I/O		CPU data bus		138	SIO60	I/O		
55	CD06	I/O								
56	CD05	I/O								
57	CD04	I/O								
58	CD03	I/O								
59	CD02	I/O								
60	CD01	I/O			Memory data bus	139	SIO61	I/O		
61	CD00	I/O	Power supply (3.3 V)			140	SIO62	I/O		
62	/WAIT	O	Wait output			141	SIO63	I/O		
63	Vdd	I	Power supply (2.5 V)			142	Vdd	I/O		
64	Vss	I	Ground	143		Vss	I/O			
65	Vdd	I	Power supply (3.3 V)	144		Vdd	I/O			
66	SIO00	I/O	CPU data bus	145		DA00	I/O			
67	SIO01	I/O		Ground		146	DA01	I/O		
68	SIO02	I/O		Memory data bus		147	DA02	I/O		
69	SIO03	I/O				Power supply (2.5 V)	148	DA03	I/O	
70	SIO04	I/O			Ground	149	DA04	I/O		
71	SIO05	I/O			CPU data bus	150	DA05	I/O		
72	SIO06	I/O				Power supply (3.3 V)	151	DA06	I/O	
73	SIO07	I/O				Memory data bus	152	DA07	I/O	
74	Vss	I					Ground	153	Vss	I/O
75	SIO08	I/O					CPU data bus	154	DA08	I/O
76	SIO09	I/O	Power supply (3.3 V)					155	DA09	I/O
77	SIO10	I/O	Ground					156	DA10	I/O
78	SIO11	I/O	Memory data bus	157				DA11	I/O	
79	SIO12	I/O		Power supply (2.5 V)				158	DA12	I/O
80	SIO13	I/O		Ground				159	DA13	I/O
81	SIO14	I/O		CPU data bus	160			DA14	I/O	
82	SIO15	I/O			Power supply (3.3 V)			161	DA15	I/O
83	Vss	I			Ground	162		Vss	I/O	
84	Vdd	I			Memory data bus	163		Vdd	I/O	
85	SIO16	I/O				Power supply (3.3 V)	164	DA16	I/O	
86	SIO17	I/O				Ground	165	DA17	I/O	
87	SIO18	I/O				CPU data bus	166	DA18	I/O	
88	SIO19	I/O	Power supply (2.5 V)				167	DA19	I/O	
89	SIO20	I/O	Ground				168	DA20	I/O	
90	SIO21	I/O	Memory data bus				169	DA21	I/O	
91	SIO22	I/O		Power supply (2.5 V)			170	DA22	I/O	
92	SIO23	I/O		Ground			171	DA23	I/O	
93	Vdd	I		CPU data bus			172	Vdd	I/O	
94	Vss	I			Power supply (3.3 V)		173	Vss	I/O	
95	SIO24	I/O			Memory data bus		174	DA24	I/O	
96	SIO25	I/O					Ground	175	DA25	I/O
97	SIO26	I/O				CPU data bus	176	DA26	I/O	
98	SIO27	I/O					Power supply (2.5 V)	177	DA27	I/O
99	SIO28	I/O					Ground	178	DA28	I/O
100	SIO29	I/O	Memory data bus				179	DA29	I/O	
101	SIO30	I/O					Power supply (3.3 V)	180	DA30	I/O
102	SIO31	I/O					Ground	181	DA31	I/O
103	Vss	I		CPU data bus			182	Vss	I/O	
104	Vdd	I					Power supply (3.3 V)	183	Vdd	I/O
					Memory data bus		184	/WE	O	
							Power supply (3.3 V)	185	/CAS	O
						Memory write enable signal	186	SDCK	O	
						Column address strobe	187	CKE	O	
						Clock (SDRAM)	188	/RAS	O	
			CKE (SDRAM)			189	Vdd	O		
			Row address strobe			190	Vss	O		
			Power supply (2.5 V)			191	BA1	O		
			Ground	192		BA0	O			
			Bank select (SDRAM)	193		A12	O			
				Memory address (SDRAM, DRAM)	194	A11	O			
					Power supply (2.5 V)	195	A10	O		
					Ground	196	A09	O		
					Memory address (SDRAM, DRAM)	197	A08	O		
						Power supply (3.3 V)	198	Vss	O	
						Ground	199	Vdd	O	
						Memory address (SDRAM, DRAM)	200	A07	O	
							Power supply (3.3 V)	201	A06	O
							Ground	202	A05	O
			Memory address (SDRAM, DRAM)				203	A04	O	
				Power supply (2.5 V)			204	A03	O	
				Ground			205	A02	O	
				Memory address (SDRAM, DRAM)			206	A01	O	
					Power supply (3.3 V)		207	A00	O	
					Ground		208	Vss	O	

● MBCG61594-130 (X3299A00) ATSC2A

MAIN: IC921

PIN NO.	NAME	I/O	FUNCTION	PIN NO.	NAME	I/O	FUNCTION
1	VDD		Power supply +3.3V	73	VDD		Power supply +3.3V
2	XTST	I	LSI test pin	74	PB_H_M4_SEL	I	Port B audio data input buffer active select
3	VSS		Ground	75	PB_O_MUTE	I	Port B mute
4	WT_X	I	CPU interface write input	76	VSS		Ground
5	RD_X	I	CPU interface read input	77	PB_SO0_ATO	O	Port B audio data output
6	CS_X	I	CPU interface chip select input	78	PB_SO1	O	
7	HS_SEL	I	Chip active select	79	PB_SO2	O	
8	RES_X	I	System reset input	80	PB_SO3	O	Ground
9	VSS		Ground	81	VSS		
10	ADD[0]	I	CPU interface address bus	82	PB_O_H_MODE[0]	I	Port B audio data output mode select
11	ADD[1]	I					
12	ADD[2]	I					
13	ADD[3]	I		Port C audio data input mode select	83	PB_O_H_MODE[1]	I
14	ADD[4]	I					
15	ADD[5]	I					
16	ADD[6]	I					
17	ADD[7]	I		84	PB_O_H_MODE[2]	I	
18	VDD		Power supply +3.3V	85	PC_I_H_MODE[0]	I	Port C audio data input buffer active select
19	VSS		Ground	86	PC_I_H_MODE[1]	I	
20	DAT[0]	I/O	CPU interface data bus	87	PC_I_H_MODE[2]	I	Port C audio data input
21	DAT[1]	I/O					
22	DAT[2]	I/O					
23	DAT[3]	I/O					
24	VDD		Power supply +3.3V	88	PC_H_M4_SEL	I	Port C audio data input
25	VSS		Ground	89	PC_SIO_ATI	I	
26	DAT[4]	I/O	CPU interface data bus	90	VDD		Power supply +3.3V
27	DAT[5]	I/O					
28	DAT[6]	I/O					
29	DAT[7]	I/O					
30	VSS		Ground	91	VSS		Ground
31	VDD		Power supply +3.3V	92	PC_SI1	I	Port C audio data input
32	PA_I_H_MODE[0]	I	Port A audio data input mode select	93	PC_SI2	I	
33	PA_I_H_MODE[1]	I					
34	PA_I_H_MODE[2]	I					
35	PA_O_H_MODE[0]	I		Port A audio data output mode select	94	PC_SI3	I
36	PA_O_H_MODE[1]	I					
37	PA_O_H_MODE[2]	I	Port A audio data input	95	PC_I_SW_SEL	I	Port C audio data input sync/wc select
38	PA_SIO_ATI	I					
39	PA_SI1	I					
40	PA_SI2	I		Port C audio data output sync/wc input	96	PC_SYNC_WC_SI	I
41	PA_SI3	I					
42	PA_I_SW_SEL	I	Port A audio data input sync/wc select	97	PC_FS256_SI	I	Port C audio data input bit clock input (256fs)
43	PA_SYNC_WC_SI	I	Port A audio data input sync/wc input	98	VSS		
44	PA_FS256_SI	I	Port A audio data input bit clock input (256fs)	99	PC_FS256_SO	I	Port C audio data output bit clock input (256fs)
45	VSS		Ground	100	PC_SYNC_WC_SO	I	Port C audio data output sync/wc input
46	PA_FS256_SO	I	Port A audio data output bit clock input (256fs)	101	PC_O_SW_SEL	I	Port C audio data output sync/wc select
47	PA_SYNC_WC_SO	I	Port A audio data output sync/wc input	102	VSS		
48	PA_O_SW_SEL	I	Port A audio data output sync/wc select	103	PC_SO0	O	Port C audio data output
49	VSS		Ground	104	PC_SO1	O	
50	PA_SO0	O	Port A audio data output	105	PC_SO2	O	
51	PA_SO1	O					
52	PA_SO2	O					
53	PA_SO3	O		106	PC_SO3	O	Ground
54	VDD		Power supply +3.3V	107	VSS		
55	VSS		Ground	108	PC_O_MUTE	I	Port C audio data output mode select
56	PA_CLK_ATI	I	Port A ADAT clock input	109	PC_O_H_MODE[0]	I	
57	PA_H_M4_SEL	I	Port A audio data input buffer active select	110	PC_O_H_MODE[1]	I	
58	PA_O_MUTE	I	Port A mute	111	PC_O_H_MODE[2]	I	
59	PB_SIO	I	Port B audio data input	112	PC_CLK_ATI	I	Port C ADAT clock input
60	PB_SI1	I					
61	PB_SI2	I					
62	PB_SI3	I					
63	PB_I_SW_SEL	I	Port B audio data input sync/wc select	113	VSS		Ground
64	PB_SYNC_WC_SI	I	Port B audio data input sync/wc input	114	PD_I_H_MODE[0]	I	Port D audio data input mode select
65	PB_FS256_SI	I	Port B audio data input bit clock input (256fs)	115	PD_I_H_MODE[1]	I	
66	VSS		Ground	116	PD_I_H_MODE[2]	I	Ground
67	PB_FS256_SO	I	Port B audio data output bit clock input (256fs)	117	VSS		
68	PB_SYNC_WC_SO	I	Port B audio data output sync/wc input	118	PD_H_M4_SEL	I	Port D audio data input buffer active select
69	PB_O_SW_SEL	I	Port B audio data output sync/wc select	119	PD_SIO	I	Port D audio data input
70	PB_I_H_MODE[0]	I	Port B audio data input mode select	120	PD_SI1	I	
71	PB_I_H_MODE[1]	I					
72	PB_I_H_MODE[2]	I					
				121	PD_SI2	I	Port D audio data output
				122	PD_SI3	I	
				123	PD_I_SW_SEL	I	
				124	PD_SYNC_WC_SI	I	Port D audio data input sync/wc input
				125	PD_FS256_SI	I	Port D audio data input bit clock input (256fs)
				126	VDD		Power supply +3.3V
				127	VSS		Ground
				128	PD_FS256_SO	I	Port D audio data output bit clock input (256fs)
				129	PD_SYNC_WC_SO	I	Port D audio data output sync/wc input
				130	PD_O_SW_SEL	I	Port D audio data output sync/wc select
				131	VSS		Ground
				132	PD_SO0_ATO	O	Port D audio data output
				133	PD_SO1	O	
				134	PD_SO2	O	
				135	PD_SO3	O	Ground
				136	VSS		
				137	PD_O_MUTE	I	Ground
				138	VSS		Ground
				139	PD_O_H_MODE[0]	I	Port D audio data output mode select
				140	PD_O_H_MODE[1]	I	
				141	PD_O_H_MODE[2]	I	
				142	XSM	I	LSI test pin
				143	PA_WC_ATI	O	Port A ADAT word clock output
				144	PC_WC_ATI	O	Port C ADAT word clock output

● **YM3436DK (XG948E00) DIR2 (Digital Format Interface Receiver)**

MAIN: IC59

PIN NO.	NAME	I/O	FUNCTION	PIN NO.	NAME	I/O	FUNCTION
1	DAUX	I	Auxiliary input for audio data	23	RSTN	I	System reset input
2	HDLT	O	Asynchronous buffer operation flag	24	Vdda		VCO section power (+5V)
3	DOUT	O	Audio data output	25	CTLN	I	VCO control input N
4	VFL	O	Parity flag output	26	PCO	O	PLL phase comparison output
5	OPT	O	Fs x 1 Synchronous output signal for DAC	27	(NC)		
6	SYNC	O	Fs x 1 Synchronous output signal for DSP	28	CTLP	I	VCO control input P
7	MCC	O	Fs x 64 Bit clock output	29	Vssa		VCO section power (GND)
8	WC	O	Fs x 1 Word clock output	30	TSTN	I	Test terminal. Open for normal use
9	MCB	O	Fs x 128 Bit clock output	31	KM2	I	Clock mode switching input 2
10	MCA	O	Fs x 256 Bit clock output	32	KM0	I	Clock mode switching input 0
11	SKSY	I	Clock synchronization control input	33	FS1	O	Channel status sampling frequency display output 1
12	XI	I	Crystal oscillator connection or external clock input	34	FS0	O	Channel status sampling frequency display output 0
13	XO	O	Crystal oscillator connection	35	CSM	I	Channel status output method selection
14	P256	O	VCO oscillating clock connection	36	EXTW	I	External synchronous auxiliary input word clock
15	LOCK	O	PLL lock flag	37	DDIN	I	EIAJ (AES/EBU) data input
16	Vss		Logic section power (GND)	38	LR	O	PLL word clock output
17	TC	O	PLL time constant switching output	39	Vdd		Logic section power (+5 V)
18	DIM1	I	Data input mode selection	40	ERR	O	Data error flag output
19	DIM0	I	Data input mode selection	41	EMP	O	Channel status emphasis control code output
20	DOM1	I	Data output mode selection	42	CD0	O	3-wire type microcomputer interface data output
21	DOM0	I	Data output mode selection	43	CCK	I	3-wire type microcomputer interface clock input
22	KM1	I	Clock mode switching input 1	44	CLD	I	3-wire type microcomputer interface load input

● **AK5385AVS-E2 (X4662A00) ADC**

MAIN: IC105, 305, 505, 705

PIN NO.	NAME	I/O	FUNCTION	PIN NO.	NAME	I/O	FUNCTION
1	VREFL	I	Lch Voltage Reference Input Pin, AVDD	15	SDTO	O	Audio Serial Data Output Pin
2	AVss	-	Analog Ground Pin	16	CKS1	I	Master Clock Select 1 Pin
3	VCOM	O	Common Voltage Output Pin, AVDD/2	17	MCLK	I	Master Clock Input Pin
4	LIN+	I	Lch Analog Positive Input Pin	18	DFS0	I	Sampling Speed Select 0 Pin
5	LIN-	I	Lch Analog Negative Input Pin	19	HPFE	I	High Pass Filter Enable Pin
6	CKS0	I	Master Clock Select 0 Pin	20	DFS1	I	Sampling Speed Select 1 Pin
7	DVDD	-	Digital Power Supply (3.0~5.25V)	21	BVss	-	Substrate Ground Pin
8	DVss	-	Digital Ground	22	AVss	-	Analog Ground Pin
9	OVF	O	Analog Input Overflow Detect Pin	23	AVDD	-	Analog Power Supply Pin (4.75~5.25V)
10	PDN	I	Power Down Mode Pin	24	RIN-	I	Rch Analog Negative Input Pin
11	DIF	I	Audio Interface Format Pin	25	RIN+	I	Rch Analog Positive Input Pin
12	M/S	I	Master / Slave Mode Pin	26	TEST	I	Test Pin
13	LRCK	I/O	Output Channel Clock Pin	27	AVss	-	Analog Ground
14	BICK	I/O	Audio Serial Data Clock Pin	28	VREFR	I	Rch Voltage Reference Input Pin, AVDD

• **CS8415A-CS (X2089A00) DIR (Digital Audio Interface Receiver)**

MAIN: IC929

PIN NO.	NAME	I/O	FUNCTION	PIN NO.	NAME	I/O	FUNCTION
1	CDOUT	O	Data out (SPI)	15	RXP4	I	Additional AES3/SPDIF receiver port
2	/CS	I	Control port chip select (SPI)	16	OSCLK	I/O	
3	/EMPH	O	Pre-emphasis	17	OLRCK	I/O	Serial audio output left/right clock
4	RXP0	I	AES3/SPDIF receiver port	18	SDOUT	O	Serial audio output data
5	RXN0	I		19	INT	O	Interrupt
6	VA+	I		20	U	O	User data
7	AGND	I	Positive analog power supply +5V	21	OMCK	I	System clock
8	FILT	O	Analog ground	22	DGND	I	Digital ground
9	/RST	O	PLL loop filter	23	VL+	I	Positive logic power supply +5V
10	RMCK	I/O	Reset	24	H//S	I	Hardware/software mode control
11	RERR	O	Input section recovered master clock	25	RXP5	I	Additional AES3/SPDIF receiver port
12	RXP1	I	Receiver error	26	RXP6	I	
13	RXP2	I	Additional AES3/SPDIF receiver port	27	CDIN	I	
14	RXP3	I		28	CCLK	I	Control port clock

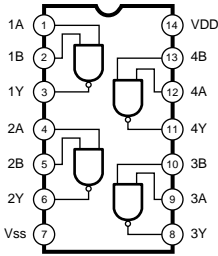
• **AK4101AVQ (X3813B00) DIT**

MAIN: IC924, SUB: IC903

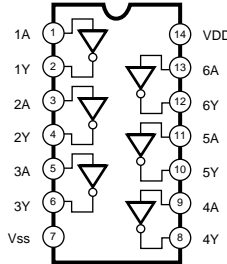
PIN NO.	NAME	I/O	FUNCTION	PIN NO.	NAME	I/O	FUNCTION
1	PDN	I	Power Down & Reset Pin	22	Vss	-	Ground
2	MCLK	I	Master Clock Input Pin	23	CKS1	I	Clock Mode Select 1 Pin
3	SDT11	I	Audio Serial Data Input 1 Pin	24	TXN4	O	Negative Differential Output Pin for Channel 4
4	SDT12	I	Audio Serial Data Input 2 Pin	25	TXP4	O	Positive Differential Output Pin for Channel 4
5	SDT13	I	Audio Serial Data Input 3 Pin	26	TXN3	O	Negative Differential Output Pin for Channel 3
6	SDT14	I	Audio Serial Data Input 4 Pin	27	TXP3	O	Positive Differential Output Pin for Channel 3
7	VDD	-	Power supply (4.75V~5.25V)	28	VDD	-	Power supply (4.75V~5.25V)
8	Vss	-	Ground	29	Vss	-	Ground
9	BICK	I/O	Audio Serial Data Clock Input / Output Pin	30	TXN2	O	Negative Differential Output Pin for Channel 2
10	LRCK	I/O	Input / Output Channel Clock Pin	31	TXP2	O	Positive Differential Output Pin for Channel 2
11	FS0/CSN	I	Sampling Frequency Select 0 Pin at Synchronous mode / Host Interface Chip Select Pin at Asynchronous mode	32	TXN1	O	Negative Differential Output Pin for Channel 1
12	FS1/CDTI	I	Sampling Frequency Select 1 Pin at Synchronous mode / Host Interface Data Input Pin at Asynchronous mode	33	TXP1	O	Positive Differential Output Pin for Channel 1
13	FS2/CDTO	I	Sampling Frequency Select 2 Pin at Synchronous mode / Host Interface Bit Clock Input Pin at Asynchronous mode	34	DIF0	I	Audio Serial Interface Select 0 Pin
14	FS3/CDTO	I/O	Sampling Frequency Select 3 Pin at Synchronous mode / Host Interface Data Output Pin at Asynchronous mode	35	VDD	-	Power supply (4.75V~5.25V)
15	C1	I	Channel Status Bit Input Pin for Channel 1	36	DIF1	I	Audio Serial Interface Select 1 Pin
16	C2	I	Channel Status Bit Input Pin for Channel 2	37	DIF2	I	Audio Serial Interface Select 2 Pin
17	C3	I	Channel Status Bit Input Pin for Channel 3	38	U1	I	User Data Bit Input Pin for Channel 1
18	C4	I	Channel Status Bit Input Pin for Channel 4	39	U2	I	User Data Bit Input Pin for Channel 2
19	ANS	I	Asynchronous / Synchronous Mode Select Pin	40	U3	I	User Data Bit Input Pin for Channel 3
20	BLS	I/O	Block Start Input / Output Pin	41	U4	I	User Data Bit Input Pin for Channel 4
21	CKS0	I	Clock Mode Select 0 Pin	42	V12	I	Validity Bit Input Pin for Channel 1 & Channel 2
				43	V34	I	Validity Bit Input Pin for Channel 3 & Channel 4
				44	TRANS	I	Audio Routing Mode (Transparent Mode) Pin at Synchronous mode

IC BLOCK DIAGRAM (IC ブロック図)

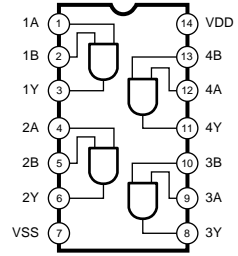
- **TC74VHC00FT (X2313A00)**
Quad 2 Input NAND
MAIN: IC53



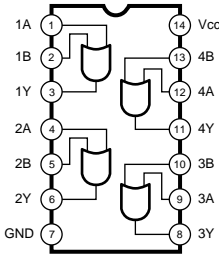
- **HD74LVU04AFPEL (XY102A00)**
Hex Inverter
MAIN: IC7



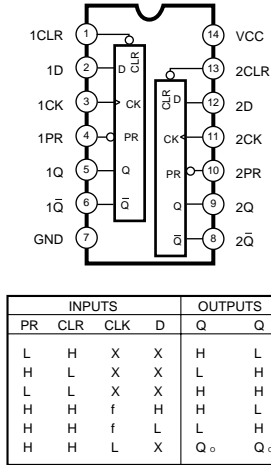
- **TC74VHC08FT (XV891A00)**
Quad 2 Input AND
MAIN: IC61,901



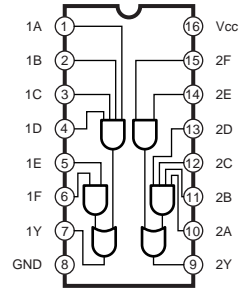
- **HD74LV32AFPEL (IS003200)**
Quad 2 Input OR
MAIN: IC12



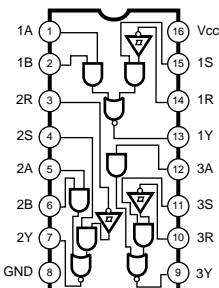
- **HD74LV74AFPEL (IS007400)**
Dual D-Type Flip-Flop
MAIN: IC6



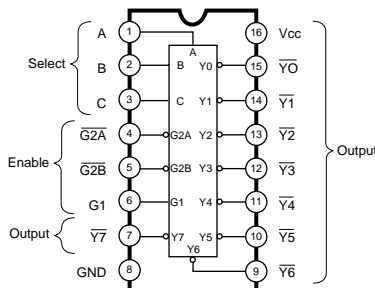
- **SN75121NSR (XU816A00)**
Dual Line Driver
MAIN: IC926



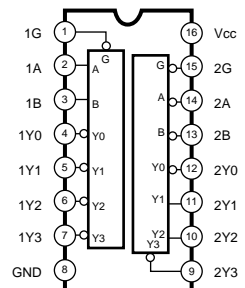
- **SN75124NSR (XV930A00)**
Triple Line Receiver
MAIN: IC925



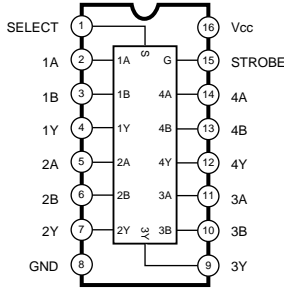
- **SN74LV138ANSR (IS013810)**
3 to 8 Demultiplexer
MAIN: IC962



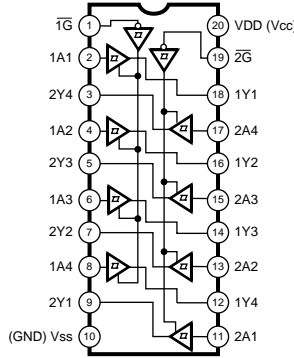
- **SN74LV139ANSR (IS013910)**
Dual 2 to 4 Demultiplexer
MAIN: IC16



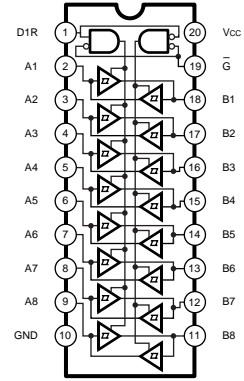
- **HD74LV157AFPEL (IS015700)**
Quad 2 to 1 Multiplexer
MAIN: IC923,930



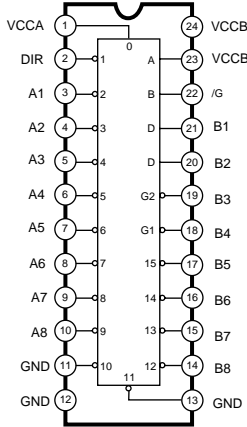
- **TC74VHC244FT (XW234A00)**
Octal 3-State Bus Buffer
MAIN: IC3



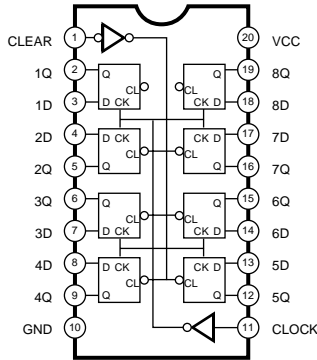
- **TC74VHC245FT (XU797A00)**
● **TC74VHCT245AFT (XT744A00)**
Octal 3-State Bus Transceiver
MAIN: IC1,8,9,14,15,51,56,57,927,928
SUB: IC901,902



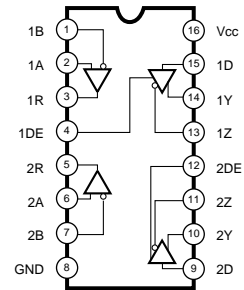
- **74LVX4245MTCX (X3097A00)**
Dual Supply Octal Bus Transceiver
MAIN: IC17,18



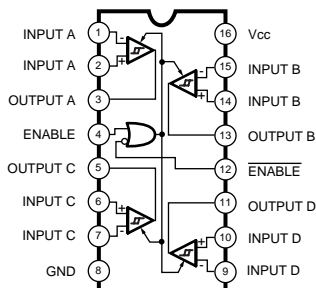
- **HD74LV273AFPEL (IS027300)**
Octal D-Type Flir Flop
MAIN: IC963-968,970,971



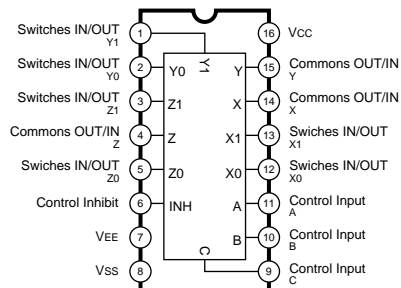
- **SN75C1168NSR (XU073A00)**
Line Driver / Receiver
SUB: IC904
COMB: IC951



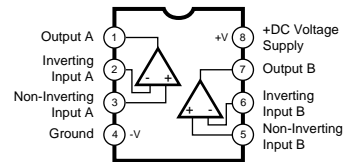
- **DS26C32ATMX (XU815A00)**
Quad Differential Line Receiver
SUB: IC905



- **TC74HC4053AF (EL) (XY879A00)**
Triple 2-Channel
Multiplexer/Demultiplexer
MAIN: IC102,202,302,402,502,602,702,802

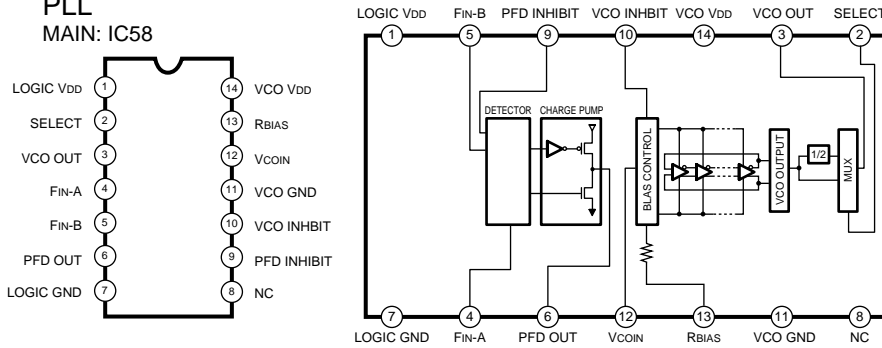


- **NJM2904V (TE) (XR532A00)**
● **NJM2068MD-TE2 (X3505A00)**
Dual Operational Amplifier
HIC-HA: IC101,102
MAIN: IC5,103,104,203,204,303,304,403,404,503,504,603,604,703,704,803,804



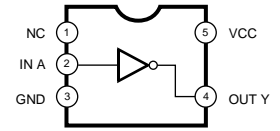
● **TLC2932IPWR (XV064A00)**

PLL
MAIN: IC58



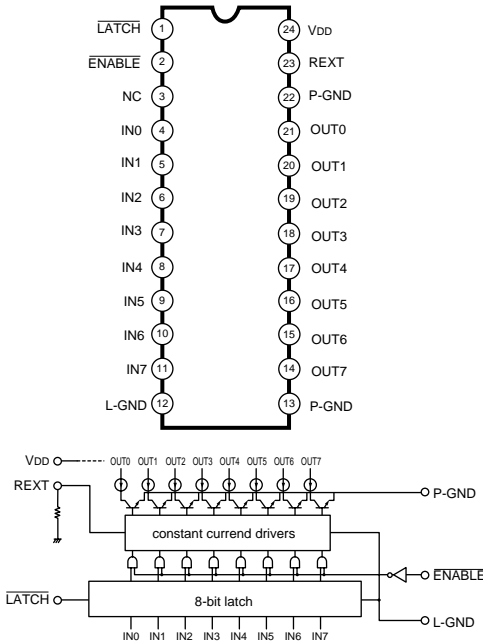
● **TC7SH04FU (XS775A00)**

Inverter
MAIN: IC20,55,60,922,931,969



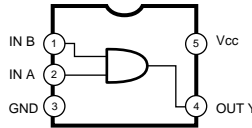
● **TB62707F (EL) (X5127A00)**

LED DRIVER
MAIN: TA961



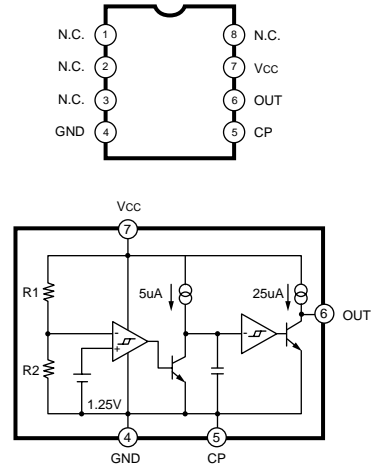
● **TC7SH08FU (XR680A00)**

2 Input AND
MAIN: IC19,985



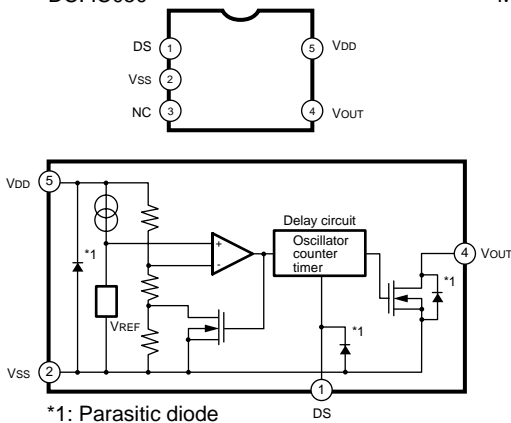
● **M51953AFP (XW422A00)**

RESET
MAIN: IC54



● **S-80142ANMC (X3847A00)**

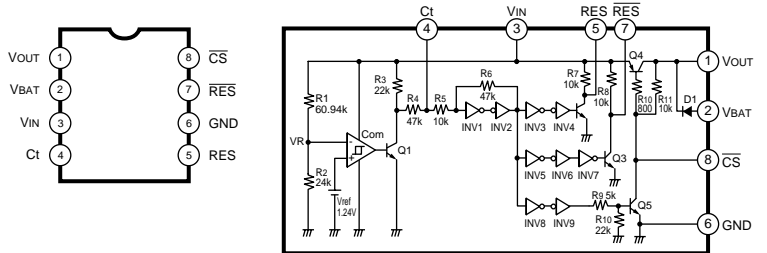
SYSTEM RESET
DC: IC050



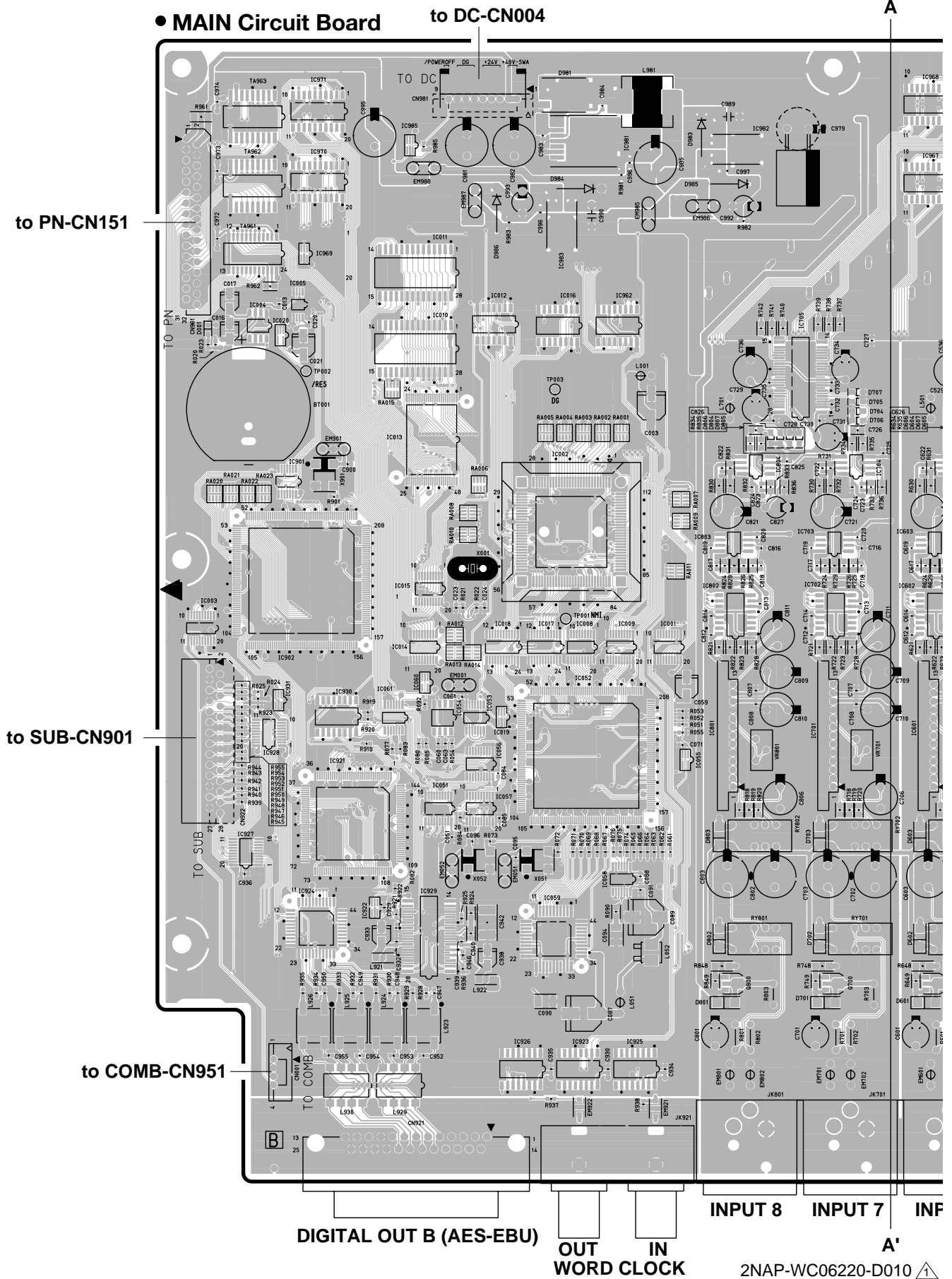
*1: Parasitic diode

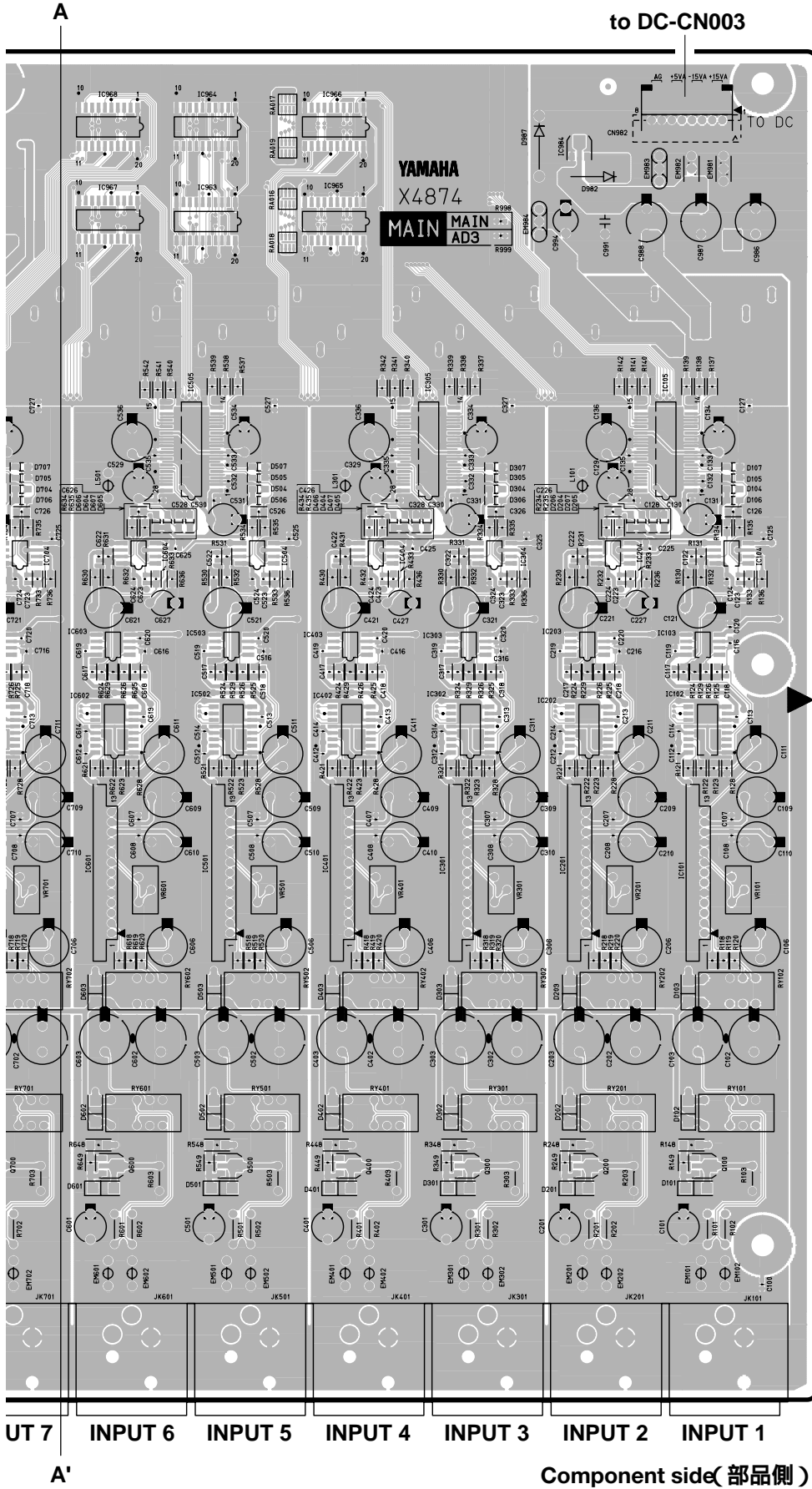
● **M62021FP (XI686A00)**

SYSTEM RESET
MAIN: IC4



CIRCUIT BOARD (シート基板図)

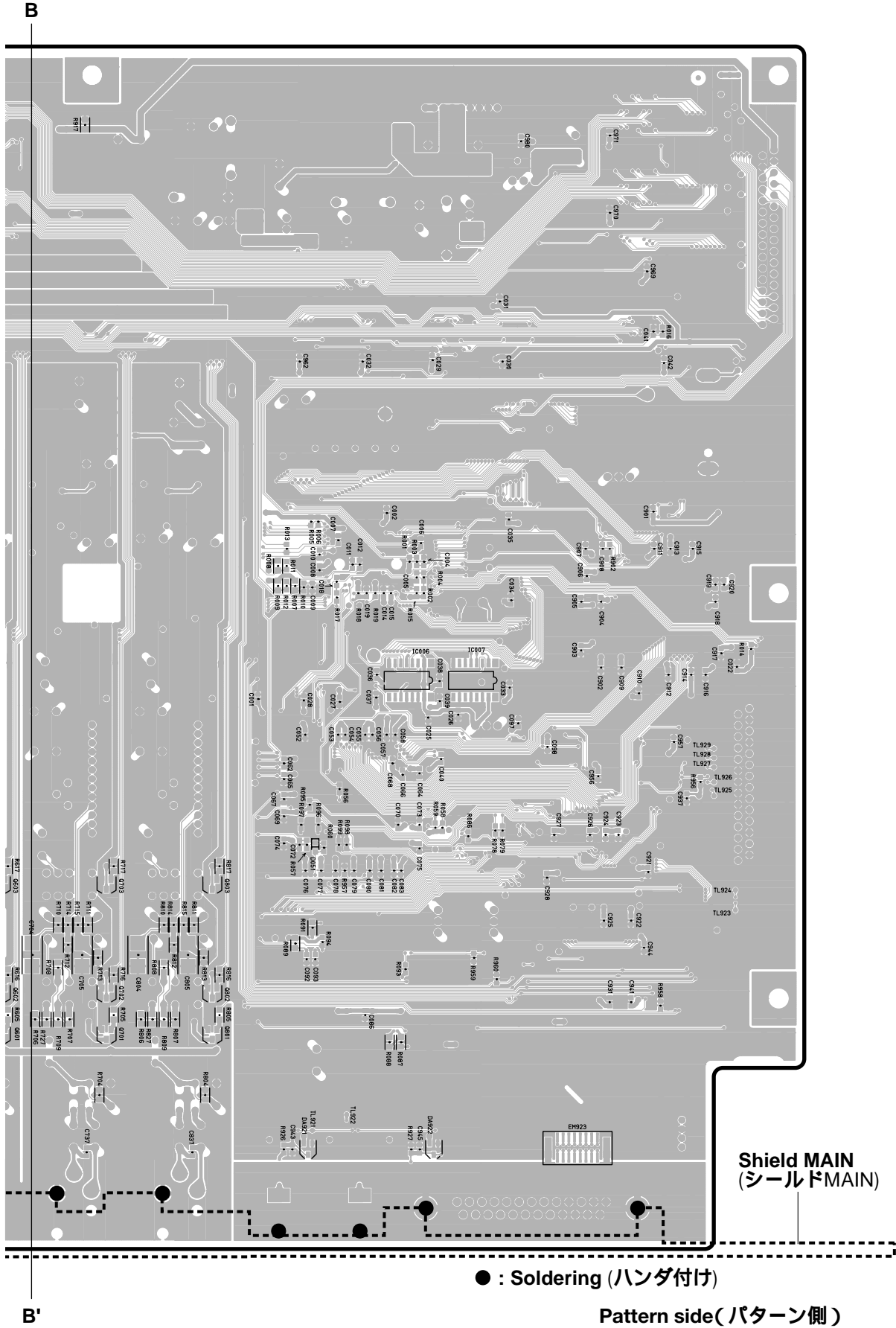




● : Bond attachment (ボンド付け)

2NAP-WC06220-D010

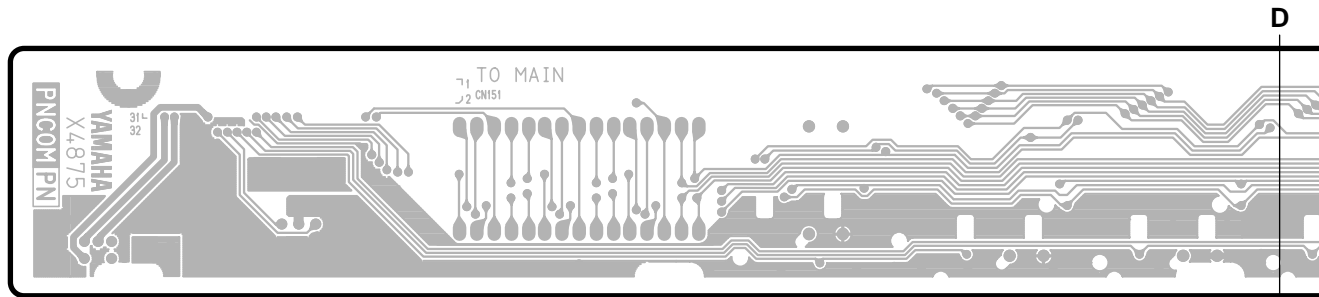
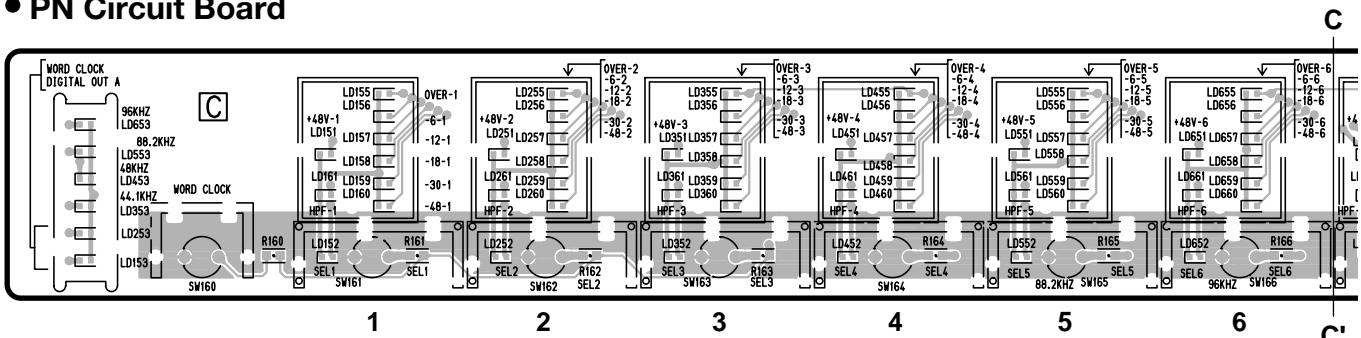
Component side(部品側)



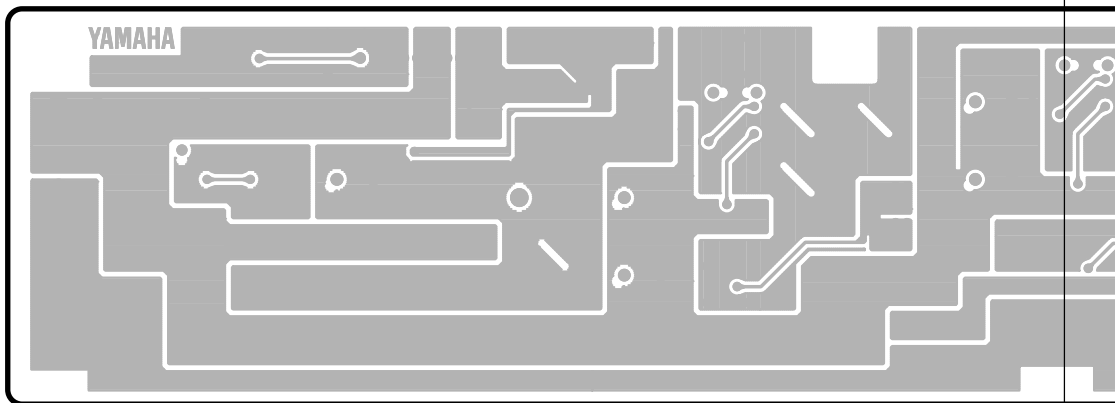
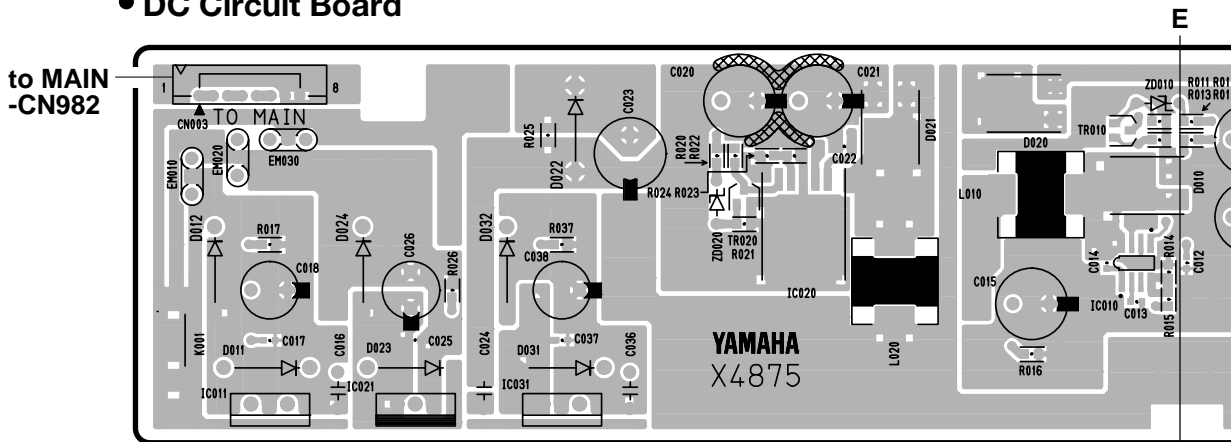
B'

2NAP-WC06220-D010

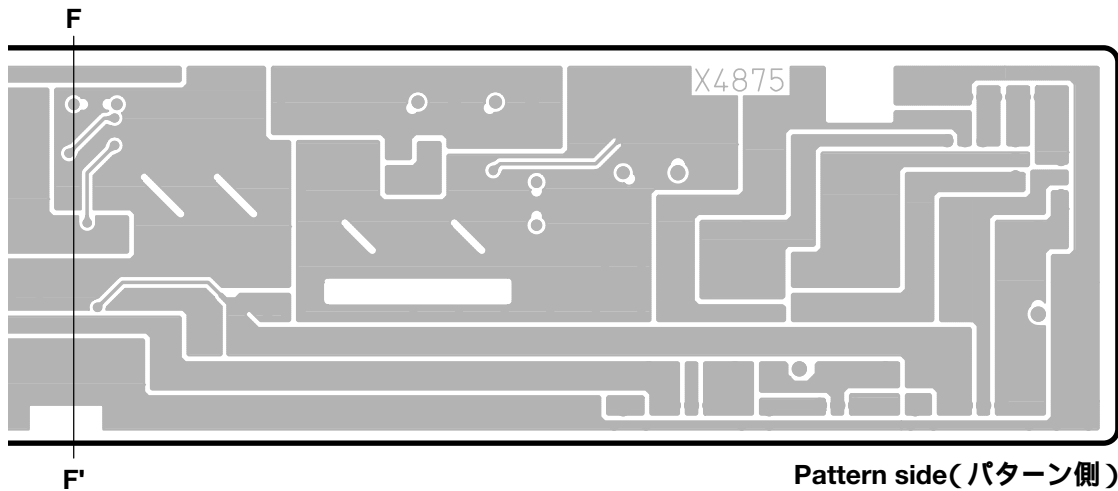
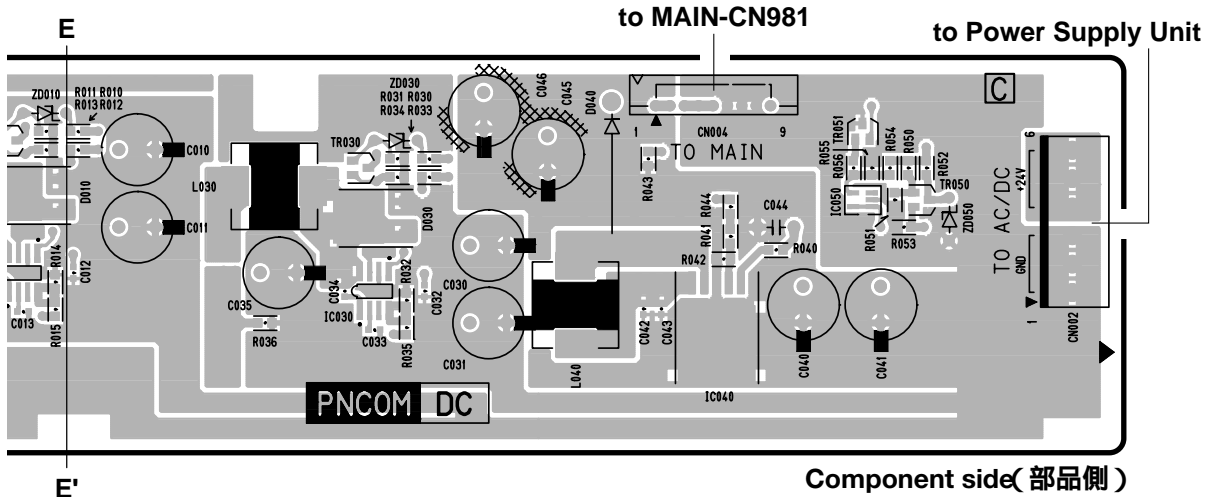
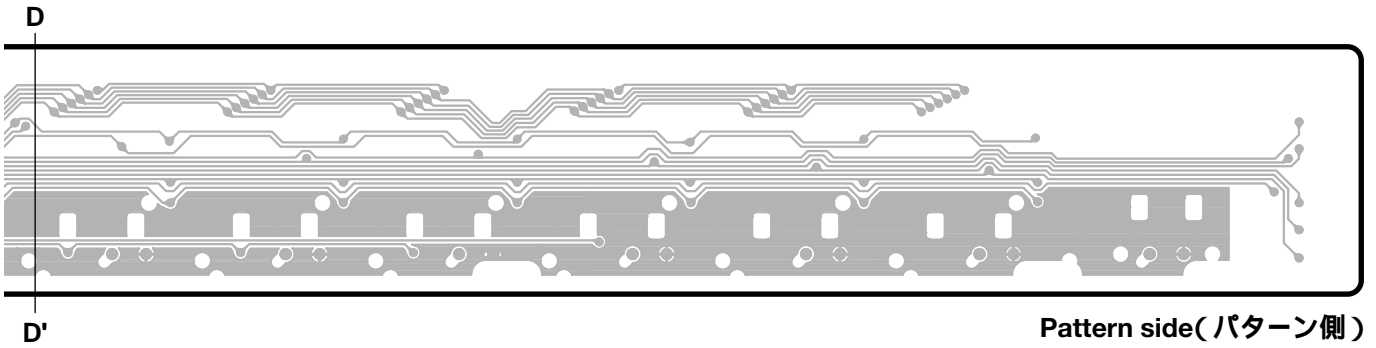
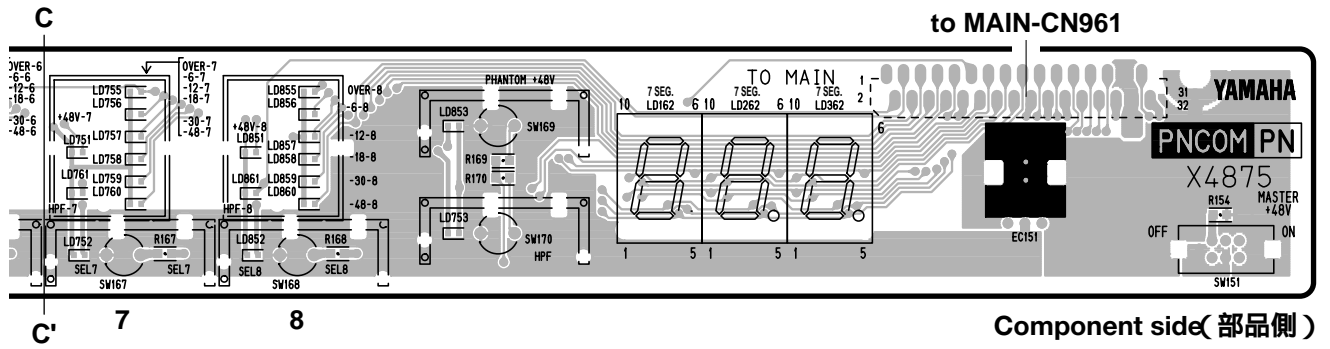
● PN Circuit Board



● DC Circuit Board

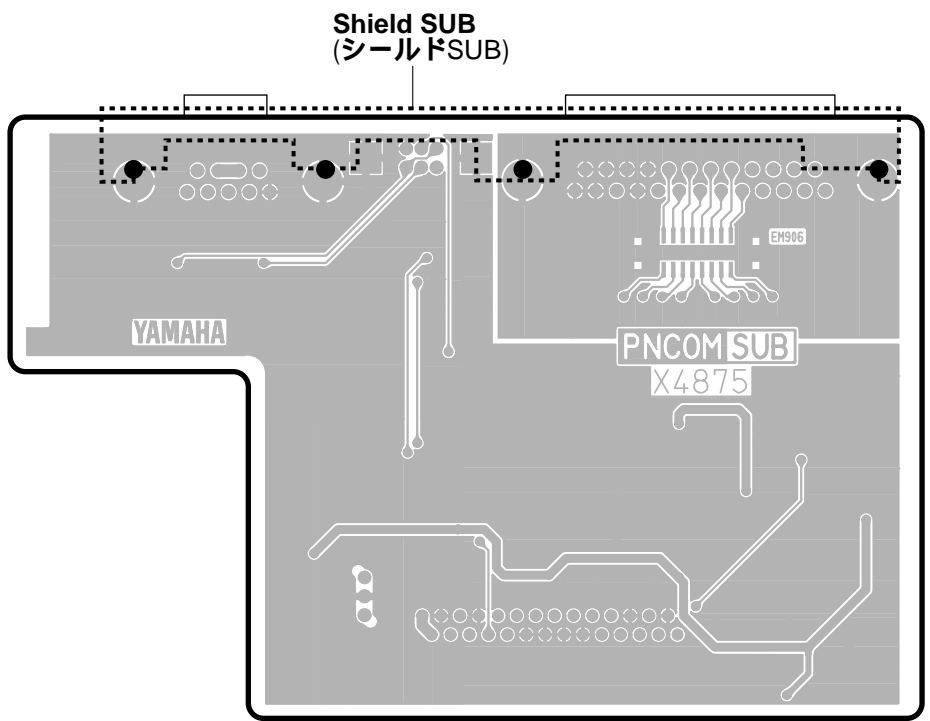
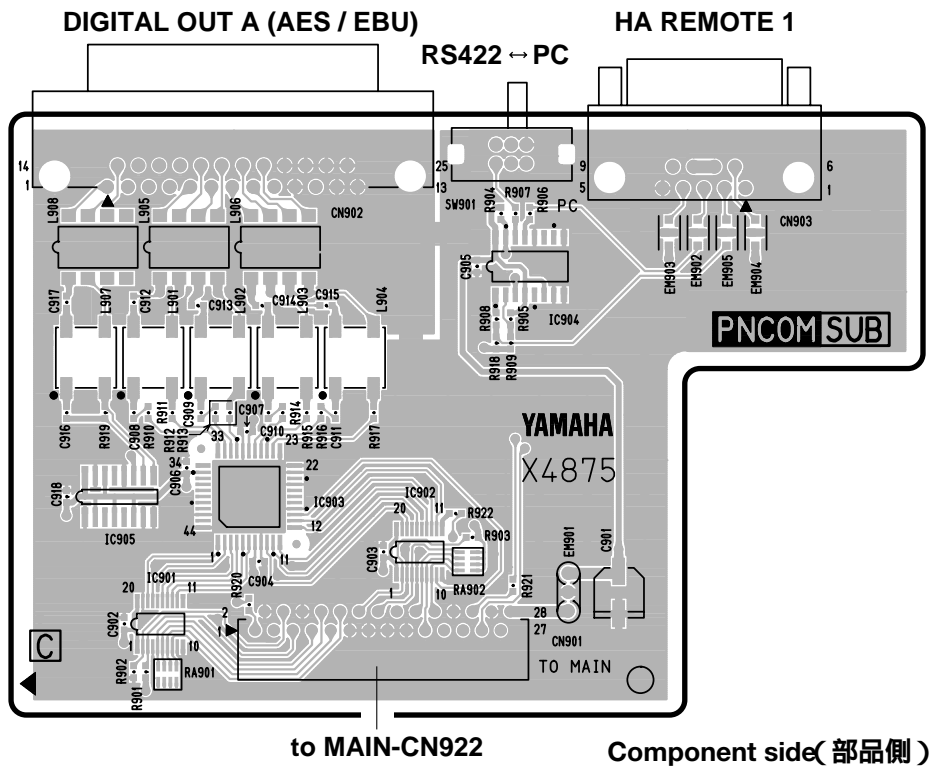


F' 2NAP-WC06230-D010

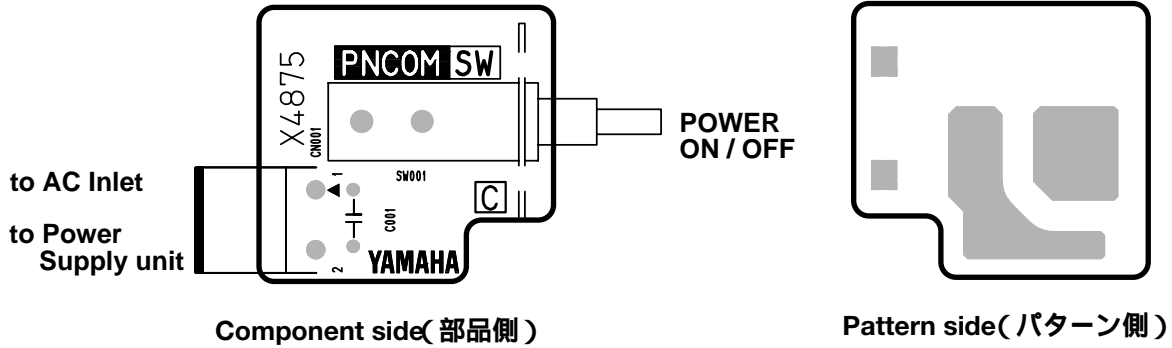


2NAP-WC06230-D010 ▲

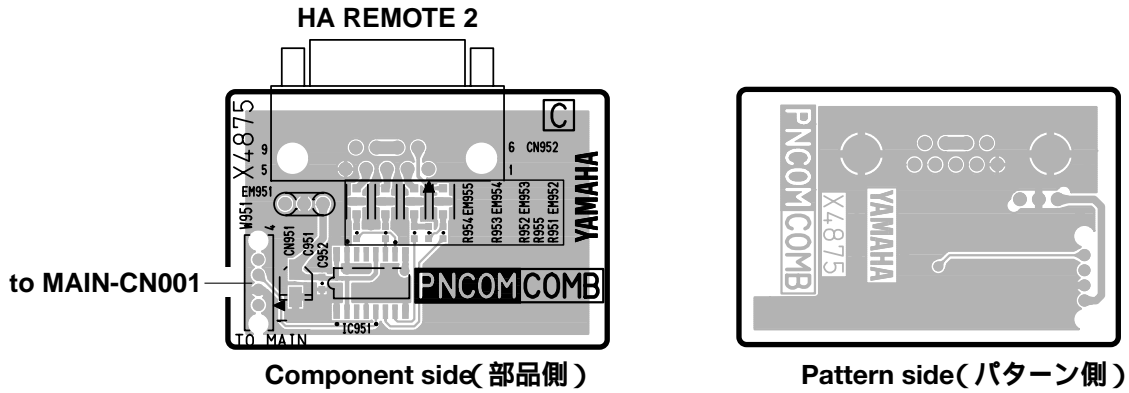
● SUB Circuit Board



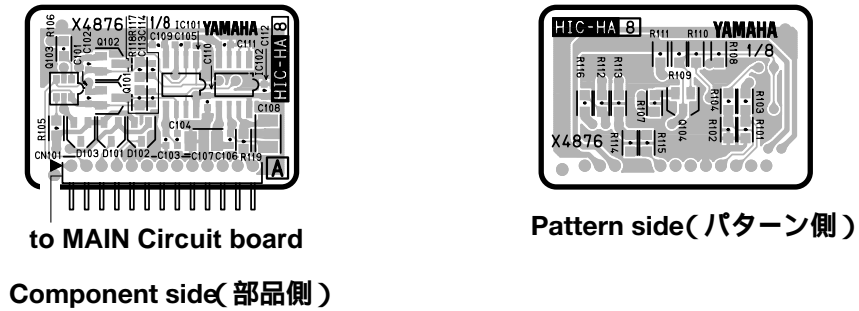
● SW Circuit Board



● COMB Circuit Board



● HIC-HA Circuit Board



Note: See parts list for details of circuit board component parts.

注：シートの部品詳細はパーツリストをご参照ください。

COMB: 2NAP-WC06230-D010

SW: 2NAP-WC06230-D010

HIC-HA: 2NAP-WC06320-D010

■ GAIN SETUP (GAIN 設定)

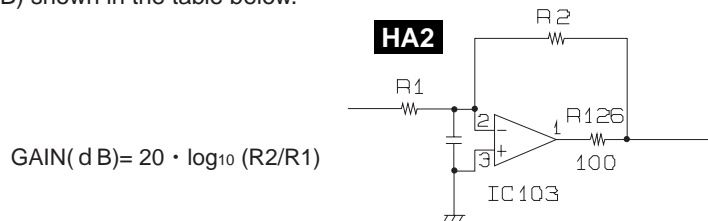
You can set up inputs from -62 to +10dB for every 6dB step by using the combination of the gains of PAD(0/-24dB), HA1(14/38dB), and HA2(0/6/12/18/24dB). (However, setup of the input for 1dB step is performed at IC902(DSP7).)

Although the following description is made in case of CH1, the operation will be the same for other channels.

GAIN of HA2 is determined by the ratio of R1 to R2. Changing combined resistance corresponding to R1 and R2 by switching the Analog switch (IC102) gives GAIN values (0/6/12/28/24dB) shown in the table below.

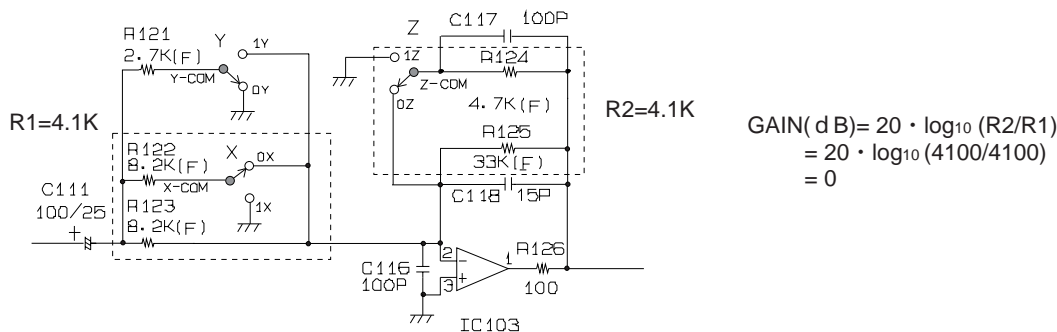
PAD(0/-24dB), HA1(14/38dB), HA2(0/6/12/18/24dB)のGAINを組み合わせることにより、-62~+10dBの入力に対して6dBステップごとに設定することができます。(ただし、1dBステップの設定は、IC902(DSP7)で行なっております。)以下CH1で説明しますが、他のチャンネルでも同様の動作となります。

HA2のGAINは、R1とR2の比率で決定されます。アナログスイッチ(IC102)の切換えでR1、R2に相当する合成抵抗値を変えることにより下表に示すGAIN(0/6/12/18/24 dB)が得られます。



The calculation in case of the switching condition shown in the circuit diagram on the next page is made as follows.

次ページ回路図のスイッチ状態を例に計算します。



Therefore, the example shows PAD:RY101 being OFF (GAIN=0dB), HA1:RY102 being OFF (GAIN=38dB), and HA2:0X,0Y,0Z (GAIN=0dB), the input of -38dB is found.

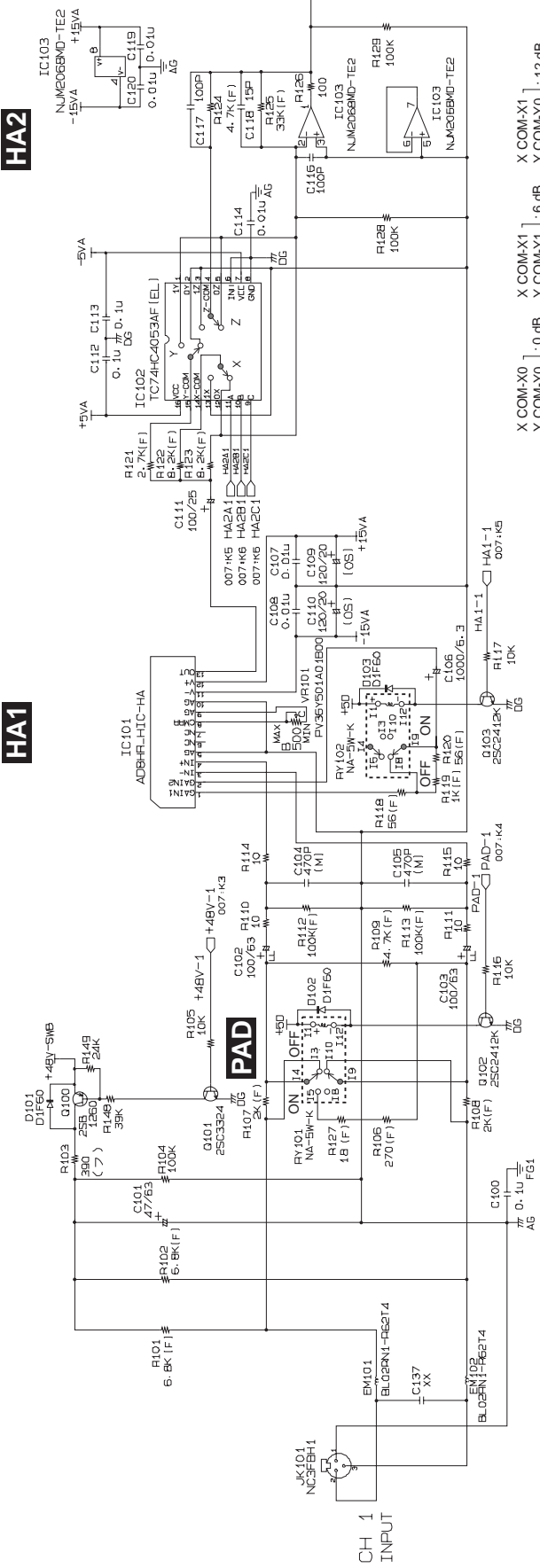
よって PAD:RY101がOFF(GAIN=0dB)、HA1:RY102がOFF(GAIN=38dB)、HA2:0X,0Y,0Z (GAIN:0dB)を示しており-38dB入力の状態を表しています。

INPUT dBu	PAD			HA1 (IC101)			HA2 (IC103)			IC102 (TC74HC4053AF)					
	GAIN	RY101	PAD-1	GAIN	RY102	HA1-1	GAIN	R1	R2	X	Y	Z	HA2A1	HA2B1	HA2C1
10	-24	ON	HI	14	ON	HI	0	4.1k	4.1k	0X	0Y	0Z	LOW	LOW	LOW
4	-24	ON	HI	14	ON	HI	6	2.0k	4.1k	1X	1Y	0Z	HI	HI	LOW
-2	-24	ON	HI	14	ON	HI	12	8.2k	33k	1X	0Y	1Z	HI	LOW	HI
-8	-24	ON	HI	14	ON	HI	18	4.1k	33k	0X	0Y	1Z	LOW	LOW	HI
-14	0	OFF	LOW	14	ON	HI	0	4.1k	4.1k	0X	0Y	0Z	LOW	LOW	LOW
-20	0	OFF	LOW	14	ON	HI	6	2.0k	4.1k	1X	1Y	0Z	HI	HI	LOW
-26	0	OFF	LOW	14	ON	HI	12	8.2k	33k	1X	0Y	1Z	HI	LOW	HI
-32	0	OFF	LOW	14	ON	HI	18	4.1k	33k	0X	0Y	1Z	LOW	LOW	HI
-38	0	OFF	LOW	38	OFF	LOW	0	4.1k	4.1k	0X	0Y	0Z	LOW	LOW	LOW
-44	0	OFF	LOW	38	OFF	LOW	6	2.0k	4.1k	1X	1Y	0Z	HI	HI	LOW
-50	0	OFF	LOW	38	OFF	LOW	12	8.2k	33k	1X	0Y	1Z	HI	LOW	HI
-56	0	OFF	LOW	38	OFF	LOW	18	4.1k	33k	0X	0Y	1Z	LOW	LOW	HI
-62	0	OFF	LOW	38	OFF	LOW	24	2.0k	33k	1X	1Y	1Z	HI	HI	HI

* GAIN: dB

HA2

HA1

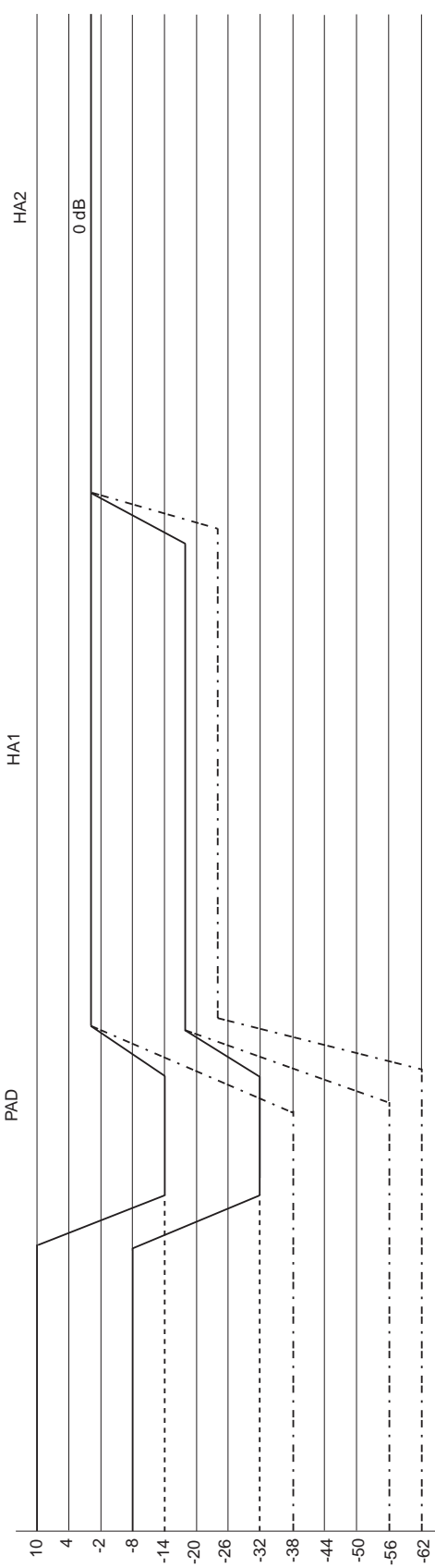


X COM-X1 : 0 dB
 Y COM-Y0 : 6 dB
 Z COM-Z0 : 12 dB

X COM-X1 : 24 dB
 Y COM-Y1 : 18 dB
 Z COM-Z1 : 24 dB

RY101 ON: 24dB
 OFF: 0dB

RY102 ON: 14dB
 OFF: 38dB



— PAD : ON
 - - - - - PAD : OFF

TEST PROGRAM

1. TESTING WITH TEST PROGRAM

1-1. Test item chart

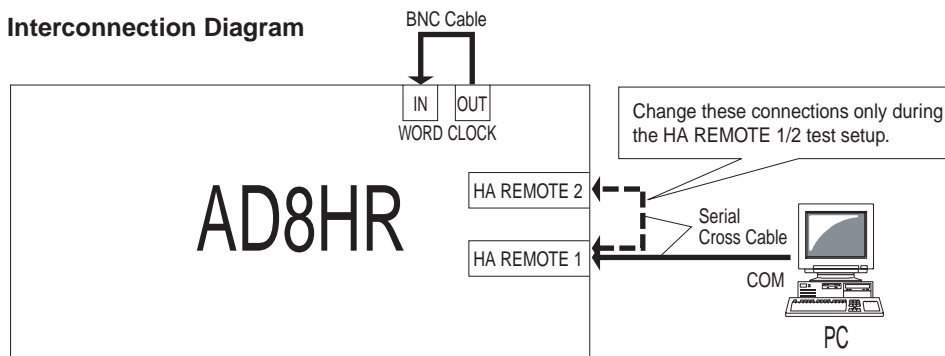
Item	Test No	Test Name	Description of Test Item
1	d00	SRAM	Test address-data bus lines, and do W/R on SRAM and judge pass/fail.
2		FLASH	Flash Memory write check - auto testing.
3		BATT	Measure voltage on backup battery.
4		PLL2	Do W/R on PLL register and check.
5		PLL	Check the TLC2932 and DIR2.
6		ATSC2	Do W/R on ATSC2 register and check.
7		DSP7	Do W/R on DSP7 register and check. Connect check ATSC2 to SI0.
8		DIT A	Make a 4 line serial check with the AK4101 register.
9		DIT B	Make a 4 line serial check with the AK4101 register.
10		DIR	Make a 4 line serial check with the CS8415 register. *An internal PLL check with the PLLP2.
11	d01	PANEL LED	Make a visual check of the LED connections.
12	d02	PANEL SW	Make a manual check of the switch connection.
13	d06	COM A/B	Make auto test of HA REMOTE terminal 1/2 connection
14	-	ENCODER	Make manual test of GAIN/DATA encoder connections. (Accepted if test No. can be changed when the encoder it turned.)
15	-	COM A (PC)	Make a visual check of HA REMOTE terminal 1. (Accepted if the test program can communicate with the terminal software.)
16	d10	INITIALIZE	Initialize the memory. (Execute if needed.)

* : Loop-back test jig is necessary.

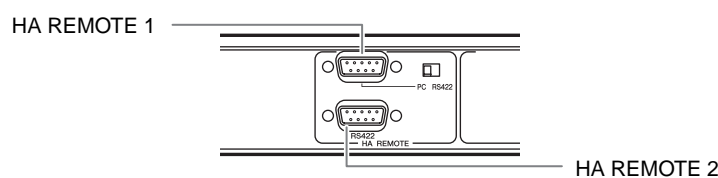
1-2. Setup

- 1) Test item AD8HR
- 2) PC DOS/V PC 1 unit (Pentium 2000MHz or higher, Windows Xp, or Windows 2000, RS232C x1)
- 3) Cables D-SUB 9-Pin serial cross-cable: 1 piece
BNC-BNC cable: 1 piece

Interconnection Diagram



- Connect the PC (Windows machine) to the HA-REMOTE 1 terminal. Select the selector switch to the PC side.



- Connect the BNC cable between the IN terminal and the OUT terminal on the WORD CLOCK.

1-3. How to run the test program

Connect the PC to HA-REMOTE 1 terminal with the 9-pin D-SUB serial cross-cable and start up the terminal software such as HyperTerminal.

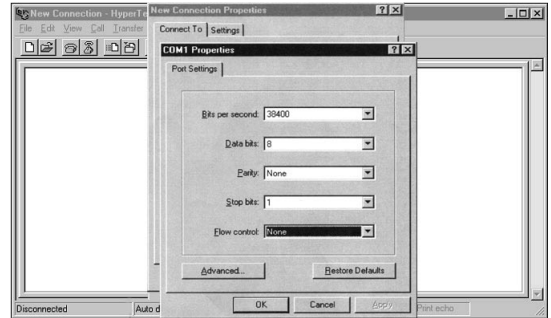
The following description will be made in case of HyperTerminal.

Communication format settings

Choose [File] -> [Properties] -> [Connect To] -> [Configure], and

Set to:

- Bits per second: 38,400 bps
- Data Bits: 8 bits
- Parity: none
- Stop Bits: 1



Make the code settings as follows.

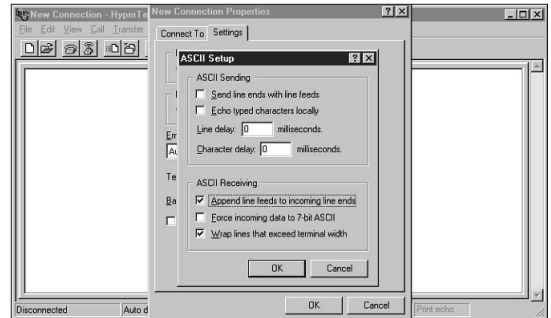
Choose [File] -> [Properties] -> [Settings] -> [ASCII Setup], and Set to:

- ASCII Sending: Echo typed characters locally : OFF
- ASCII Receiving: Append line feeds to incoming line ends : ON

Press ESC key on the keyboard of PC.

Turning on the power while simultaneously holding down the channel select button "4" and "8" switches the AD8HR to the test program mode.

(The 7 segment LED starts flashing with "00" in [d00], and the status is changed to be ready for the test.)



Displays such as shown below appear on the terminal software.

```
AD8HR Diagnosis version Vx.xx [SERVICE TEST] (x.xx: version)

[Esc]      : SHOW DIAGNOSIS MENU
0          : AUTOMATIC TEST
1          : LED TEST
2          : SWITCH TEST
3          : SUB TEST
4          : TRIM PRESET MEASUREMENT(AUTO)
5          : TRIM PRESET MEASUREMENT(MANUAL)
6          : COM A/B TEST
7          : CMG ADJUSTMENT
8          : ANALOG TEST
9          : +48V TEST
A          : JITTER TEST (48kHz)
B          : JITTER TEST (96kHz)
C          : MEMORY INITIALIZE
ver[Enter] : SHOW SOFTWARE VERSION
date[Enter] : SHOW THE DATE OF MANUFACTURE
reset[Enter] : SYSTEM RESET

AD8HR_DIAG>
```

Normally, the test No. is automatically set to d00 -> d01 -> d02 -> d06.

While in test program mode, select the test program No. with the GAIN encoder. You can then run that program by pressing the [+48V] key.

PANEL KEYS	FUNCTION
Turns [GAIN/control] clockwise	Selects direction of test No. sequence.
Turns [GAIN/control] counterclockwise	Selects reverse direction of Test No. sequence.
[+48V]	Runs the selected test No.

The matching 7 segment LED flashes when an item is selected. That LED lights up when the program ends.

[d00] Automatic test	
[d01] LED test	
[d02] SWITCH test	
[d03] SUB test	Not used. (Only for factory test.)
[d04] TRIM preset value (AUTO setting)	} Execute if needed.
[d05] TRIM preset value (MANUAL setting)	
[d06] HA-REMOTE 1/2 terminal test	
[d07] CMG adjustment	} Not used. (Only for factory test.)
[d08] ANALOG test	
[d09] +48 TEST	
[d10] Jitter measurement (48kHz)	
[d11] Jitter measurement (96kHz)	
[d12] MEMORY initialize	Execute if needed.
[d13] Display program version	
[d14] System reset	

Program can also be run if the menu No. is input from the HyperTerminal.

2. Test description

2-1. [d00] Auto test

Select test program No. [d00] on GAIN control and run the auto test by pressing [+48V] key when "00" flashes. You can also enter the following characters from the terminal software:

```
AD8HR_DIAG>0
```

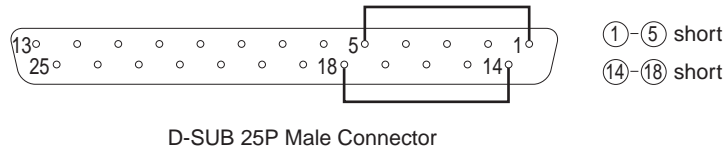
and run the test. (You don't need to press the Enter key.)

Test description is as follows:

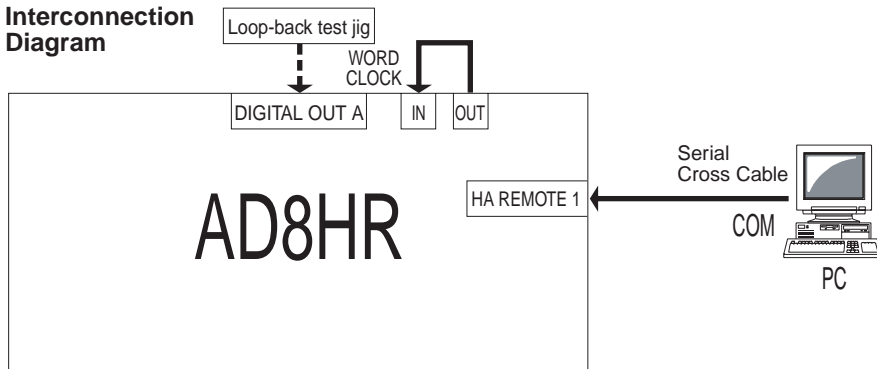
- [1] SRAM test
Automatically tests the address bus and data of bus the SRAM.
- [2] FLASH test
Erases the Flash Memory sector and then performs W/R and makes comparison test.
- [3] Backup battery voltage measurement
Measures with A/D and automatically tests the backup battery voltage.
- [4] PLLP2 test
Performs W/R of Reg. (00, 0f, 10) on PLLP2 and makes comparison test, reads out and displays Reg. 12 (Ver.). Checks A0..A4 (ABIO [1]-[5]) and D0..D15 (DB3V [0]-[15]). Reg.12 cannot be automatically tested since it is a Read Only register.

- [5] PLL test
Check automatically whether to set BNC IN to LOCK when performing the loop-back test of BNC OUT -> BNC IN.
Center frequency 4 point + vari pitch upper/lower limit 4 point
Read Fs counter for PLLP2.
- [6] ATSC2 test
Sets Write/Read on the ATSC2 register and automatically tests the pass/fail of the data bus and address bus.
- [7] DSP7 test
Sets Write/Read on the DSP7 register and automatically tests the pass/fail of the data bus and address bus.
Tests the send/receive signal on the SO -> ATSC2 connection of DSP7.
- [8] DIT A test
Makes a 4 line serial check with the AK4101 register.
- [9] DIT B test
Makes a 4 line serial check with the AK4101 register.
- [10] DIR test
1. Makes a 4 line serial check with the CS8415 register.
2. Makes loop-back tests on DIGITAL OUT A CH1/2 OUT -> CH1/2 IN the same as the PLL test, automatically testing whether to set AES/EBU IN to LOCK.
This test will be skipped. If the loop-back test jig is prepared, then you can test it with the following processes.

Loop-back test jig



Interconnection Diagram



- Start HyperTerminal. (Settings are as described above.)
- Press ESC key on the keyboard of PC.
- Turning on the power while holding down the channel select button "3" and "8" switches the AD8HR to the test program.

```
AD8HR Diagnosis version Vx.xx [TOTAL TEST]  x.xx: version
```

```
[Esc]      : SHOW DIAGNOSIS MENU
0          : AUTOMATIC TEST
1          : LED TEST
2          : SWITCH TEST
3          : SUB TEST
4          : TRIM PRESET MEASUREMENT(AUTO)
5          : TRIM PRESET MEASUREMENT(MANUAL)
6          : COM A/B TEST
7          : CMG ADJUSTMENT
8          : ANALOG TEST
9          : +48V TEST
A          : JITTER TEST (48kHz)
B          : JITTER TEST (96kHz)
C          : MEMORY INITIALIZE
ver[Enter] : SHOW SOFTWARE VERSION
date[Enter] : SHOW THE DATE OF MANUFACTURE
reset[Enter] : SYSTEM RESET
```

```
AD8HR_DIAG>
```

Select [d00] and run the auto test by pressing [+48V] key when "00" flashes. Program can also be run when "0" is input from HyperTerminal.

During the testing, [d--] appears on the 7 segment LED. The status is also displayed as follows on the terminal software.

```
Check SRAM Data Bus   0000 0000 0000 0000OK
Check SRAM Address Bus 0000 0000 0000 000 OK
:
:
```

When the test ends correctly, the following appears on the terminal software.

```
DIAG [00] AUTO CHECK RESULT    OK

AD8HR_DIAG>
```

and "01" in [d01] flashes on the 7 segment LED.

When an error or problem occurs, the following error list appears on the terminal software.

```
DIAG[ 00] AUTO CHECK RESULT    NG

ERROR LIST
[6]   ATSC2
```

After [E00] flashes 3 times on the 7 segment LED, the display [d00] lights up.

Error list is as follows:

```
[1] SRAM (IC010, IC011)Data Bus   0000 0000 00XX 0000
    SRAM (IC010, IC011)Address Bus XX00 0000 0000 000
```

These are results of checks of SRAM (IC010 and IC011) and CPU connections.

The first line shows the D15,D14 ..., D1,D0 status from the left for the data bus.

The second line shows the A15,A14...,A2,A1 (seen from CPU) status from the left for the address bus.

In all cases, correct locations are shown with an O. Error locations are shown with an X.

[2] FLASH MEMORY (IC013)

This is displayed when W/R check results of the FLASH MEMORY (IC013) were a failure.

[3] BATTERY

This appears when the voltage of the backup battery is wrong (below 3 volts or above 3.5 volts). This is also displayed during service test when below 2.5 volts or above 3.5 volts.

[4] PLLP2 (IC052)

This appears when results of the PLLP2 (IC052) and CPU connection check were NG (failure).

[5] PLL (IC058, IC059) BNC OUT ->BNC IN

This appears when results of the PLL (IC058 and IC059) check were NG (failure).

This is also displayed when the repeating BNC OUT-> IN loop-back check was NG (failure).

[6] ATSC2 (IC921)

This appears when the ATSC2 (IC921) and CPU connection check results were NG (failure).

[7] DSP7 (IC902) Data Bus OOOO OOOO OOOO OOX

DSP7 (IC902) Chip Select

DSP7 (IC902) Address Bus OOOO OXX

DSP7 (IC902) SO [24] -> ATSC2 (IC921) PI [A0]

DSP7 (IC902) SO [25] -> ATSC2 (IC921) PI [A1]

DSP7 (IC902) SO [26] -> ATSC2 (IC921) PI [A2]

DSP7 (IC902) SO [27] -> ATSC2 (IC921) PI [A3]

DSP7 (IC902) SO [32] -> ATSC2 (IC921) PI [C0]

DSP7 (IC902) SO [33] -> ATSC2 (IC921) PI [C1]

DSP7 (IC902) SO [34] -> ATSC2 (IC921) PI [C2]

DSP7 (IC902) SO [35] -> ATSC2 (IC921) PI [C3]

This appears when the DSP7 (IC0902) connection check results were NG (failure). OK (pass) items are not displayed.

The first line shows the D15,D14 ..., D1,D0 status from the left for the data bus.

The third line shows the A7,A6...,A2,A1 (seen from CPU) status from the left for the address bus.

In all cases, correct locations are shown with an O. Error locations are shown with an X.

The second line is displayed when the Chip Select is NG (failure).

The 4th to 11th lines are displayed when the SO->ATSC2 PI connection check for DSP7 (IC902) was NG (fail).

[8] DIT A (IC903)

This appears when the DIT A (IC903) and CPU connection check results were NG (failure).

[9] DIT B (IC924)

This appears when the DIT B (IC924) and CPU connection check results were NG (failure).

[10] DIR (IC929)

DIR (IC929) DIGITAL OUT A

The first line appears when the DIR (IC929) and CPU connection check results were NG (failure).

The second line appears when the repeating check results for DIGITAL OUT-> IN was NG (failure).

2-2. [d01] LED Test

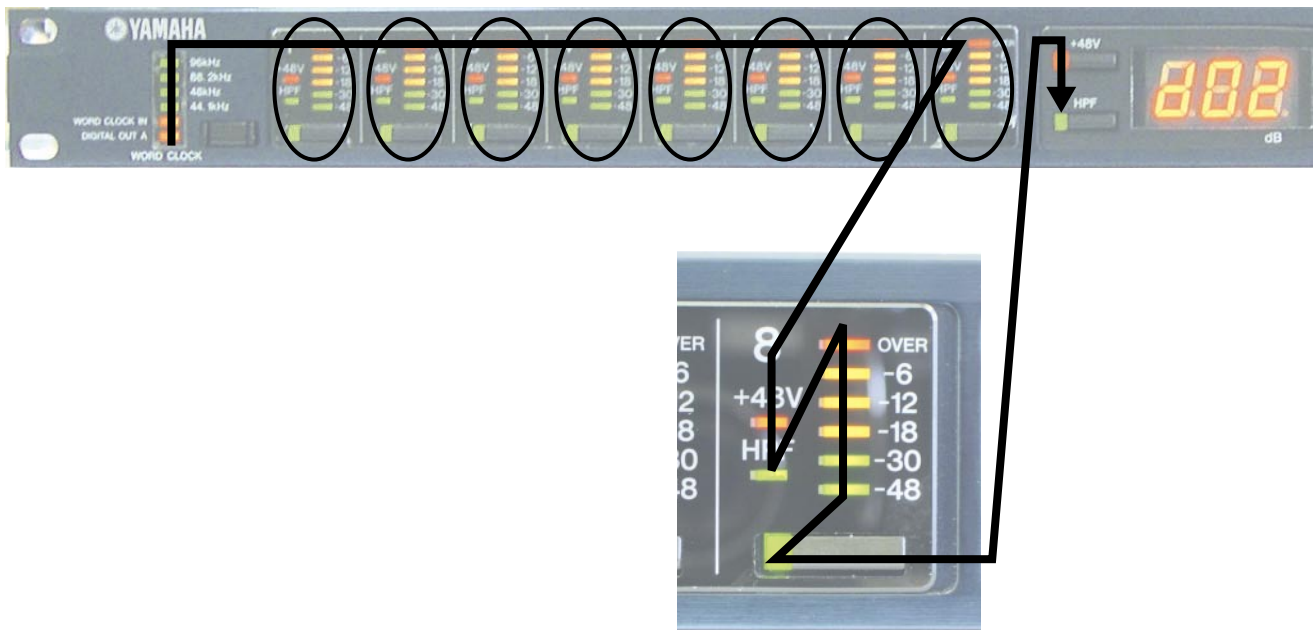
Select test program No. [d01] on GAIN encoder and run the auto test by pressing [+48V] key when "01" flashes. You can also enter the following characters from the terminal software:

```
AD8HR_DIAG>1
```

and run the test. (You don't need to press the Enter key.)

Make a visual check that LEDs light up in the following sequence when the program No. is executed.

1. Lights up the LED in sequence, one at a time. (After each channel LED has simultaneously lit up in the sequence of CH1,2,...8, all channels of the LED types (+48V, HPF,...) light up simultaneously.)
2. The seven segment LED lights up one digit each "0" "1" "2" "3" "4" "5" "6" "7" "8" "8."
3. All the LED light up.
4. The 7 segment LED starts flashing with "02" in [d02], and the program prepares for the next test.



The terminal software displays as follows after the test.

```
DIAG [01] LED CHECK ..... DONE

AD8HR_DIAG>
```

2-3. [d02] SWITCH Test

Select the test program No. [d02] on the GAIN encoder and run the SWITCH test by pressing the [+48V] key when "02" flashes. You can also enter the following characters from the terminal software:

```
AD8HR_DIAG>2
```

and run the test. (You don't need to press the Enter key.)

Executing a test program No. displays [----] on the 7segment LED, and a sequence runs to test the switch connection as shown in the sequence in the figure below. Press the applicable switch to run the test. The sequence is as follows.

1. The LED of the applicable LED flashes. (If testing WORD CLOCK, then all WORD CLOCK LED flash.)
2. Press the switch and the switch changes from flashing to lit up.
3. The next test switches are shown with a flashing LED on the display. Press the applicable switch.
After pressing HPF, change a +48V MASTER switch to check the switch.



The terminal software shows the following message:

```
DIAG [02] SWITCH CHECK ..... DONE

AD8HR_DIAG>
```

4. If there is no error, then the 7 segment LED starts flashing with "06" in [d06], and the program prepares for the next test.

The above steps 1-3 are repeated and if a connection error or time-over occurs, the message [E02] flashes 3 times on the 7 segment LED and then terminates with [d02] lighting up.

```
AD8HR_DIAG>2

DIAG [02] SWITCH CHECK

NG or TIME OVER
WORD CLOCK (SW160)
SEL 1 (SW161)
SEL 2 (SW162)
SEL 3 (SW163)
SEL 4 (SW164)
SEL 5 (SW165)
SEL 6 (SW166)
SEL 7 (SW167)
SEL 8 (SW168)
+48V (SW169)
HPF (SW170)
+48V MASTER (SW151)

AD8HR_DIAG>_ (Example of Time-over in case that the switch is not pushed at all.)
```

2-4. [d06] COM A/B Test (HA REMOTE 1/2 terminal test)

Select the test program No. [d06] on the GAIN encoder and press the [+48V] key to run this COM A and B test. (Read COM A as HA REMOTE 1 terminal and COM B as HA REMOTE 2 terminal.)
You can also enter the following characters from the terminal software:

```
AD8HR_DIAG>6
```

and run the test. (You don't need to press the Enter key.)
The terminal software display appears as follows.

```
DIAG [06] COM A/B CHECK
```

Please connect COM A &B, and turn SW to RS422.
And push +48V SW.

Connect HA REMOTE 1 terminal and HA REMOTE 2 terminal with the D-SUB 9-pin serial cross-cable, set the RS422-PC selector switch to RS422, and press the [+48V] switch to start running the DATA send/receive test. (Perform this process within 15 sec. to avoid a time-out.)

The results as listed below flash for 3 times on the 7 segment LED and then [d06] lights up.

```
[d06] --- OK
[E01] --- COM B -> A send/receive NG
[E02] --- COM A -> B send/receive NG
[E03] --- COM A <-> B send/receive NG
[E04] --- Timeout awaiting pressing of +48V
```

After the test is complete, restore the D-SUB 9-pin serial cross cable to the HA REMOTE 1 terminal and PC connection. Set the RS422-PC selector switch to PC.

Pressing [Enter] from the terminal software restores the screen to standby for entry as shown below.

```
AD8HR_DIAG>
```

2-5. Other Test

1. [d04] HA GAIN TRIM Preset Value Setting (Auto)

Setup: Input a reference signal (+6dBu) to each channel

Select test program No. [d04] on the GAIN encoder and press the [+48V] key to run the HA GAIN TRIM preset value setup. You can also enter the following characters from the terminal software:

```
AD8HR_DIAG>4
```

and run the test. (You don't need to press the Enter key.)

Running this program No. displays [d--] on the 7 segment LED. Set the GAIN to +4dB and adjust the TRIM value so the meter level becomes -18dB. Channels with no signal input are skipped.

When adjustment is finished, this value is written into the FLASH MEMORY and [d06] on the 7 segment LED flashes. The following measured results also appear on the terminal software.

An "NG or TIME OVER" is displayed if a signal was not input or a channel was not adjusted to ± 1.5 dB.

```
DIAG [04] TRIM PRESET MEASURING ... DONE
CH1 : -0.1dB
CH2 : NG or TIME OVER
:
CH8 : 0.0dB

AD8HR_DIAG>
```


2. [d05] HA GAIN TRIM Preset Value Setting (Manual)

Setup: Input a reference signal (+6dBu) to each channel

Select test program No. [d05] on the GAIN encoder and press the [+48V] key to run the HA GAIN TRIM preset value setup. You can also enter the following characters from the terminal software:

```
AD8HR_DIAG>5
```

and run the test. (You don't need to press the Enter key.)

A meter is displayed when this program No. is run. The channel select button of CH1 (channel 1) lights up and the current TRIM value appears in the 7 segment LED. Pressing the channel select button selects a particular channel and the TRIM value selected for that channel appear in the 7 segment LED display. Turning the encoder changes the trim in 0.1dB steps within a range of ± 1.5 dB. Manually adjust the trim value so that the meter level reaches -18dB on each channel.

The terminal software displays the following message.

```
DIAG [05] TRIM PRESET MEASURING ...
```

```
Please push +48v SW, if measurement is completed.
```

Pressing the [+48V] key ends this adjustment, writes this value in the Flash Memory, and makes the [d06] 7 segment LED flash.

3. [d10] Memory Initialize

Select the test program No. [d10] on the GAIN encoder and press the [+48V] key to run memory initialize. You can also run it by entering the following characters:

```
AD8HR_DIAG>A
```

from the terminal software. (You don't need to press the Enter key.)

The following is displayed by the terminal software when this program is run.

```
DIAG [10] MEMORY INITIALIZE ... DONE
```

```
AD8HR_DIAG>
```

4. [d11] Program Version Display

Select the test program No. [d11] on the GAIN encoder and press the [+48V] key to display the program version on the 7 segment LED display for about 1 second. You can also do this by entering the following characters:

```
AD8HR_DIAG>ver
```

from the terminal software. (You don't need to press the Enter key.)

The following is displayed by the terminal software when this program is run.

```
AD8HR software version is v x.xx (x.xx version)
```

```
AD8HR_DIAG>
```

There is no need to run this in a test.

5. [d12] System Reset

Select the test program No. [d12] on the GAIN encoder and press the [+48V] key to reset the system and return to normal operating mode.

You can also do this by entering the following characters:

```
AD8HR_DIAG>reset
```

from the terminal software.

2-6. Command Table

Other commands are also available in the test program. These commands are run from the terminal software.

```
AD8HR_DIAG> [ESC]
```

Displays a menu of command that can be used including test programs.

```
AD8HR_DIAG> 0
```

Starts up the auto test program. See Page 34.

```
AD8HR_DIAG> 1
```

Starts up the LED test program. See Page 38.

```
AD8HR_DIAG> 2
```

Starts up the switch test program. See Page 38.

```
AD8HR_DIAG> 3
```

Not used. (Only for factory test.)

```
AD8HR_DIAG> 4
```

Starts up the HA GAIN TRIM preset value setting (auto) program. (Execute if needed.) See Page 40.

```
AD8HR_DIAG> 5
```

Starts up the HA GAIN TRIM preset value setting (manual) program. (Execute if needed.) See Page 41.

```
AD8HR_DIAG> 6
```

Starts up the COM A/B adjustment program. See Page 39.

```
AD8HR_DIAG> 7
```

Not used. (Only for factory test.)

```
AD8HR_DIAG> 8
```

Not used. (Only for factory test.)

```
AD8HR_DIAG> 9
```

Not used. (Only for factory test.)

```
AD8HR_DIAG> A
```

Not used. (Only for factory test.)

```
AD8HR_DIAG> B
```

Not used. (Only for factory test.)

```
AD8HR_DIAG> C
```

Not used. (Only for factory test.)

```
AD8HR_DIAG> ver[Enter]
```

Displays the current program version. See Page 41.

```
AD8HR_DIAG> date[Enter]
```

Displays the date of manufacture. If the date, for example, is January 1, 2000 then the display shows, "The date of manufacture is 2000/01/01."

However, when there is no data available, the display shows, "The date of manufacture is unknown."

```
AD8HR_DIAG> reset[Enter]
```

Resets the system. See Page 42.

■ テストプログラム

1. テストプログラムによる検査

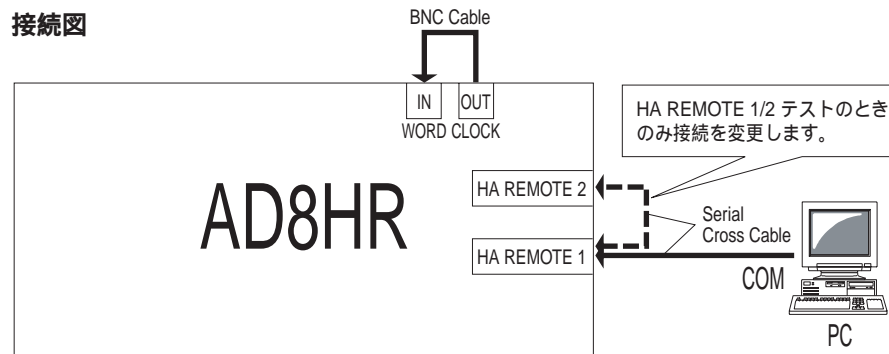
1-1. 検査項目一覧

項目	テスト番号	検査名称	検査項目の概要
1	d00	SRAM	アドレス・データバス線の検査、SRAM を W/R し判定
2		FLASH	FLASH MEMORY の書き込みチェック自動検査
3		BATT	バックアップ用電池の電圧測定
4		PLL P2	PLL のレジスタを W/R し判定
5		PLL	TLC2932、DIR2 チェック
6		ATSC2	ATSC2 のレジスタを W/R し判定
7		DSP7	DSP7 のレジスタを W/R し判定、ATSC2 との SIO 接続判定
8		DIT A	AK4101 のレジスタにて4線シリアルチェック
9		DIT B	AK4101 のレジスタにて4線シリアルチェック
10		DIR	CS8415 内部レジスタにて4線シリアルチェック、*PLL P2 にて内部 PLL チェック
11	d01	PANEL LED	LED の接続チェック目視
12	d02	PANEL SW	SWITCH の接続チェック自動検査
13	d06	COM A/B	HA REMOTE 1/2 端子の接続チェック自動検査
14	-	ENCODER	GAIN/DATA エンコーダの接続チェック自動検査(エンコーダを回してテスト番号が変更できればOK)
15	-	COM A (PC)	HA REMOTE 1 端子のチェック目視(ターミナルソフトとの通信ができればOK)
16	d10	INITIALIZE	メモリーのイニシャライズ(必要に応じて実施)

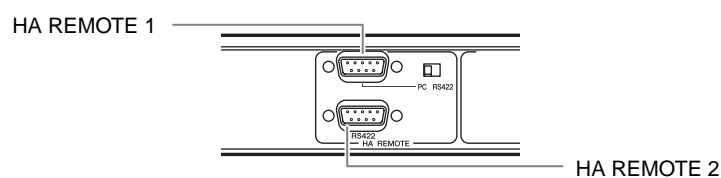
* : 折り返し治具が必要

1-2. 準備

- 1) 被検査物 AD8HR 本体
- 2) パソコン DOS/V パソコン 1 台(Pentium 200MHz 以上、Windows Xp 又は Windows 2000、RS232C x1)
- 3) ケーブル類 D-SUB 9Pin のシリアルクロスケーブル : 1 本
BNC-BNC ケーブル : 1 本



- HA-REMOTE 1 端子と PC (Windows マシン) の COM ポートを接続します。スイッチは PC を選択。



- BNC ケーブルで WORD CLOCK の IN 端子と OUT 端子を接続します。

1-3. テストプログラムの実行方法

PC と HA-REMOTE 1 端子を D-SUB 9Pin のシリアルクロスケーブルで接続し、ハイパーターミナル等のターミナルソフトを立ち上げます。

以下ハイパーターミナルの場合で説明します。

通信フォーマットの設定は、

[ファイル] [プロパティ] [接続の設定] [モデムの構成]
を選択し、

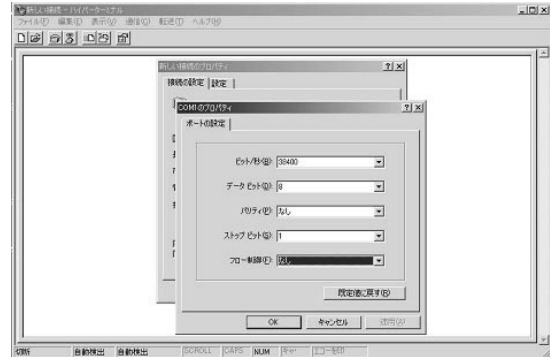
Bit Rate : 38400 bps

Data Length : 8 bits

Parity : none

Stop Bit : 1

に設定します。



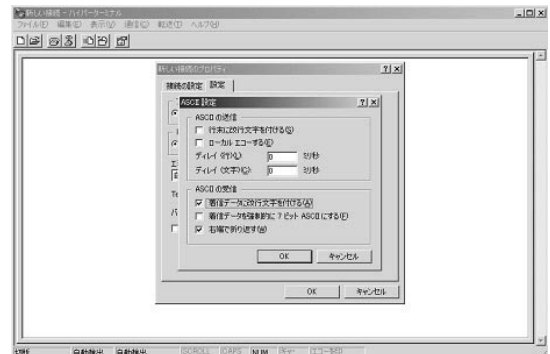
また、コード設定を以下のようにします。

[ファイル] [プロパティ] [設定] [ASCII 設定]
を選択し、

送信 : ローカルエコーする : OFF

受信 : 着信データに改行文字を付ける : ON

に設定します。



PC キーボードの ESC キーを押します。

AD8HR のチャンネル選択ボタン「4」と「8」を同時に押しながら電源を入れるとテストプログラムモードに入ります。

(7seg LED は[d00]の"00" が点滅し、検査待ちの状態となります。)

またターミナルソフトには以下の様な表示があらわれます。

AD8HR Diagnosis version Vx.xx [SERVICE TEST] (x.xx : バージョン)

```
[Esc]      : SHOW DIAGNOSIS MENU
0         : AUTOMATIC TEST
1         : LED TEST
2         : SWITCH TEST
3         : SUB TEST
4         : TRIM PRESET MEASUREMENT(AUTO)
5         : TRIM PRESET MEASUREMENT(MANUAL)
6         : COM A/B TEST
7         : CMG ADJUSTMENT
8         : ANALOG TEST
9         : +48V TEST
A        : JITTER TEST (48kHz)
B        : JITTER TEST (96kHz)
C        : MEMORY INITIALIZE
ver[Enter] : SHOW SOFTWARE VERSION
date[Enter] : SHOW THE DATE OF MANUFACTURE
reset[Enter] : SYSTEM RESET
```

AD8HR_DIAG>

通常はテスト番号が自動的に設定されます。(d00 d01 d02 d06)

テストプログラムモード時は、GAINエンコーダでテストプログラム番号を選択し、[+48V]キーを押すことによってそのプログラムを実行させることができます。

パネル上のキー	機能
[GAIN control]時計回し	テスト番号の順方向選択
[GAIN control]反時計回し	テスト番号の逆方向選択
[+48V]	選択したテスト番号の実行開始

選択している間は7segLEDに番号が点滅し、プログラムが終了すると点灯に変わります。

以下は検査のリストです。

- [d00] 自動検査
- [d01] LED の検査
- [d02] SWITCH の検査
- [d03] SUB の検査 使用しません(工場検査用)
- [d04] TRIM 初期値 自動設定 } 必要に応じて実施
- [d05] TRIM 初期値 手動設定 }
- [d06] HA REMOTE 1/2 端子の検査
- [d07] CMG 調整
- [d08] アナログ部検査
- [d09] +48V 検査 } 使用しません(工場検査用)
- [d10] ジッタ測定(48kHz)
- [d11] ジッタ測定(96kHz)
- [d12] メモリーの初期化 必要に応じて実施
- [d13] プログラムバージョンの表示
- [d14] システムリセット

またハイパーターミナルからメニューの番号を入力してもプログラムを実行させることができます。

2. 各テストの説明

2-1. [d00] 自動検査

GAIN control でテストプログラム番号[d00]を選択し、“00”が点滅時に[+48V]キーを押すと自動検査が実行されます。また、ターミナルソフトから、

```
AD8HR_DIAG>0
```

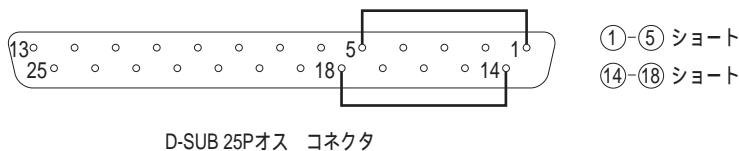
と入力しても実行されます。(Enter 入力不要)

検査する内容は、次の通りです。

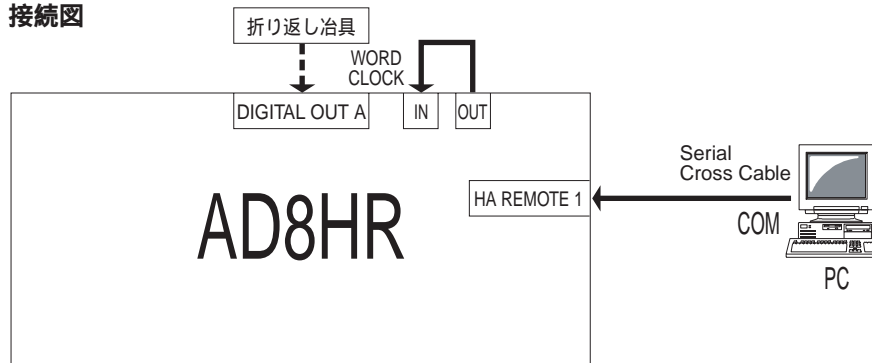
- [1] SRAM test
SRAM の Address Bus, Data Bus を検査し自動判定します。
- [2] FLASH test
FLASH MEMORY のセクタを ERASE 後 W/R して比較判定します。
- [3] バックアップ用電池の電圧測定
バックアップ用電池の電圧を A/D で測定し自動判定します。
- [4] PLLP2 test
PLLP2 の Reg.(00,0f,10)を W/R して比較判定と、Reg.12 (Ver.)の読出し表示。A0..A4 (ABIO [1]-[5])と D0..D15 (DB3V [0]-[15])をチェック。Reg.12 は Read Only の Reg. なので自動判定できません。

- [5] PLL test
BNC OUT BNC IN に折り返して BNC IN に LOCK するかどうかを自動判定します。
センター周波数 4 ポイント + パリピッチ 上限 / 下限 4 ポイント
PLL2 の Fs カウンタも読みます。
- [6] ATSC2 test
ATSC2 の Reg. を Write/Read して Data BUS, Address BUS の良否を自動判定します。
- [7] DSP7 test
DSP7 の Reg. を Write/Read して Data BUS, Address BUS の良否を自動判定します。
DSP7 の SO ATSC2 結線を、信号の送受信で判定します。
- [8] DIT A test
AK4101 Reg. にて 4 線シリアルチェック
- [9] DIT B test
AK4101 Reg. にて 4 線シリアルチェック
- [10] DIR test
1. CS8415 Reg. にて 4 線シリアルチェック
2. PLL test と同様に DIGITAL OUT A CH1/2 OUT CH1/2 IN に折り返して AES/EBU IN に LOCK するかどうかを自動判定します。
この検査はスキップします。折り返し治具を準備すれば以下の手続きで検査可能となります。

折り返し治具



接続図



- ・ハイパーターミナルを立ち上げます。(設定は上記の通り)
- ・PC キーボードの ESC キーを押します。
- ・AD8HR のチャンネル選択ボタン「3」と「8」を同時に押しながら電源を入れるとテストプログラムに入ります。

AD8HR Diagnosis version Vx.xx [TOTAL TEST] x.xx : バージョン

```
[Esc]      : SHOW DIAGNOSIS MENU
0         : AUTOMATIC TEST
1         : LED TEST
2         : SWITCH TEST
3         : SUB TEST
4         : TRIM PRESET MEASUREMENT(AUTO)
5         : TRIM PRESET MEASUREMENT(MANUAL)
6         : COM A/B TEST
7         : CMG ADJUSTMENT
8         : ANALOG TEST
9         : +48V TEST
A        : JITTER TEST (48kHz)
B        : JITTER TEST (96kHz)
C        : MEMORY INITIALIZE
ver[Enter] : SHOW SOFTWARE VERSION
date[Enter] : SHOW THE DATE OF MANUFACTURE
reset[Enter] : SYSTEM RESET
```

AD8HR_DIAG>

[d00]を選択し、"00" が点滅時に「+48V」キーを押すと自動検査が実行されます。また、ハイパーターミナルからも"0"を入力すれば実行できます。

実行中は、7segLED には[d -.]が表示されます。また、ターミナルソフトにも

```
Check SRAM Data Bus   0000 0000 0000 0000 OK
Check SRAM Address Bus 0000 0000 0000 000 OK
:
:
```

というように状況が表示されます。

検査が正常に終了するとターミナルソフトには、

```
DIAG [00] AUTO CHECK RESULT   OK

AD8HR_DIAG>
```

というように表示され、7segLED には[d01]の"01" が点滅します。

なにか異常があると、ターミナルソフトに

```
DIAG[ 00] AUTO CHECK RESULT   NG

ERROR LIST
[6]   ATSC2
```

というようにエラーリストが表示され、7segLED は[E00]と3回点滅した後に[d00]の点灯表示になります。

以下にエラーリストを記します。

```
[1] SRAM (IC010, IC011)Data Bus   0000 0000 00X 0000
    SRAM (IC010, IC011)Address Bus XX00 0000 0000 000
```

SRAM (IC010 と IC011) と CPU の接続チェックの結果です。

1 行目はデータバスで左から D15, D14, ..., D1, D0 の状態を表示します。

2 行目はアドレスバスで左から A15, A14, ..., A2, A1 (CPU から見て) の状態を表示します。

いずれも正常なところは O, 異常箇所には X を表示します。

[2] FLASH MEMORY (IC013)

FLASH MEMORY (IC013) の W/R チェックの結果が NG の時に表示されます。

[3] BATTERY

バックアップ用電池の電圧異常時(3.0V 未満又は 3.5V 以上)に表示されます。

ただしサービス検査時は、2.5V 未満又は 3.5V 以上で表示されます。

[4] PLLP2 (IC052)

PLLP2 (IC052) と CPU の接続チェックの結果が NG の時に表示されます。

[5] PLL (IC058, IC059) BNC OUT -> BNC IN

PLL (IC058 と IC059) チェックの結果が NG の時に表示されます。

BNC OUT -> IN の折り返しチェックで NG のとき表示されます。

[6] ATSC2 (IC921)

ATSC2 (IC921) と CPU の接続チェックの結果が NG の時に表示されます。

[7] DSP7 (IC902) Data Bus OOOO OOOO OOOO OOX

DSP7 (IC902) Chip Select

DSP7 (IC902) Address Bus OOOO OXX

DSP7 (IC902) SO [24] -> ATSC2 (IC921) PI [A0]

DSP7 (IC902) SO [25] -> ATSC2 (IC921) PI [A1]

DSP7 (IC902) SO [26] -> ATSC2 (IC921) PI [A2]

DSP7 (IC902) SO [27] -> ATSC2 (IC921) PI [A3]

DSP7 (IC902) SO [32] -> ATSC2 (IC921) PI [C0]

DSP7 (IC902) SO [33] -> ATSC2 (IC921) PI [C1]

DSP7 (IC902) SO [34] -> ATSC2 (IC921) PI [C2]

DSP7 (IC902) SO [35] -> ATSC2 (IC921) PI [C3]

DSP7 (IC902) チェックの結果が NG の時に表示されます。OK の項目は表示されません。

1 行目はデータバスで左から D15, D14, ..., D1, D0 の状態を表示します。

3 行目はアドレスバスで左から A7, A6, ..., A2, A1 (CPU から見て) の状態を表示します。

いずれも正常なところは O, 異常箇所には X を表示します。

2 行目は Chip Select が NG の時に表示されます。

4-11 行目は DSP7 (IC902) の SO -> ATSC2 PI の結線チェック NG のとき表示されます。

[8] DIT A (IC903)

DIT A (IC903) と CPU の接続チェックの結果が NG の時に表示されます。

[9] DIT B (IC924)

DIT B (IC924) と CPU の接続チェックの結果が NG の時に表示されます。

[10] DIR (IC929)

DIR (IC929) DIGITAL OUT A

1 行目は DIR (IC929) と CPU の接続チェックの結果が NG の時に表示されます。

2 行目は DIGITAL OUT -> IN の折り返しチェックで NG のとき表示されます。

2-2. [d01] LED の検査

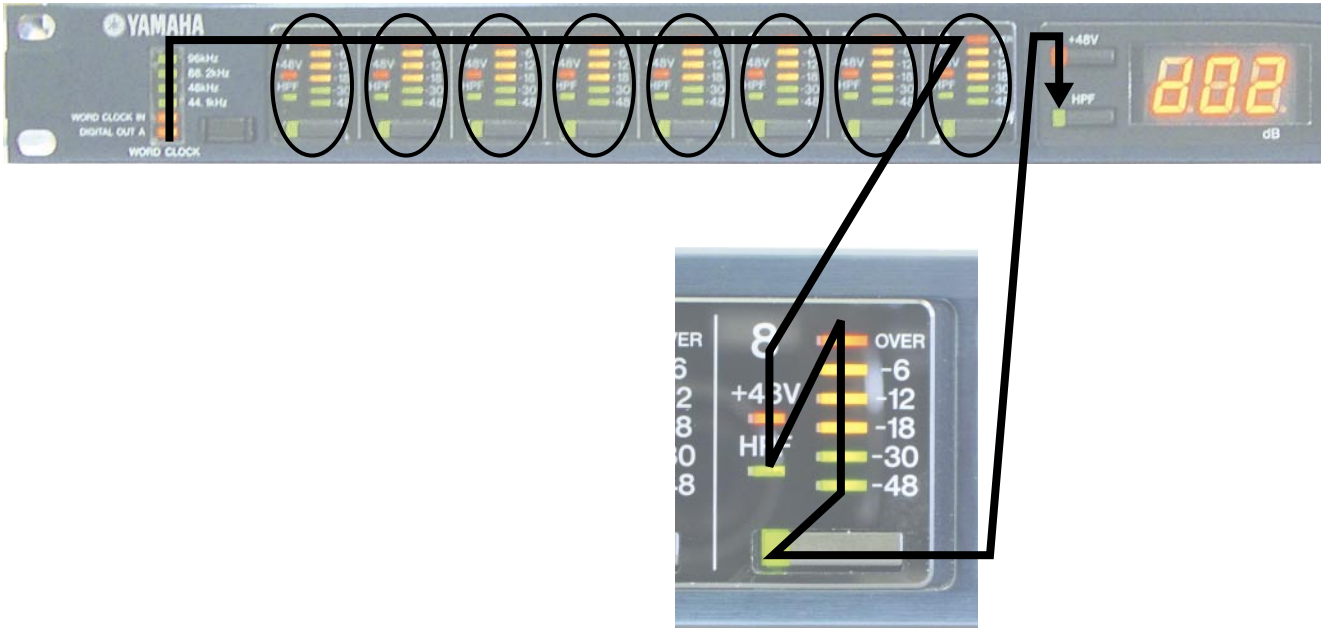
GAINエンコーダでテストプログラム番号[d01]を選択し、「01」が点滅時に[+48V]キーを押すとLEDの検査が実行されます。また、ターミナルソフトから、

```
AD8HR_DIAG>1
```

と入力しても実行されます。(Enter 入力不要)

本プログラム番号が実行されると、下記の順番で点灯しますので目視にて確認します。

1. 下図の順番にLEDが1つずつ点灯します。(ただし円内はCH1, 2, ...8の順にCH毎の全LEDが同時点灯した後、種類(+48V, HPF, ...)毎に全CHのLEDが同時点灯します。)
2. 7 segLEDが1桁ずつ"0", "1", "2", "3", "4", "5", "6", "7", "8", "8."を点灯
3. すべてのLEDが点灯します。
4. 7 segLEDに[d02]の"02"が点滅し、次の検査の準備に入ります。



また、検査終了後、ターミナルソフトには以下の様に表示されます。

```
DIAG [01] LED CHECK ..... DONE

AD8HR_DIAG>
```

2-3. [d02] SWITCH の検査

GAINエンコーダでテストプログラム番号[d02]を選択し、「02」が点滅時に[+48V]キーを押すとSWITCHの検査が実行されます。また、ターミナルソフトから、

```
AD8HR_DIAG>2
```

と入力しても実行されます。(Enter 入力不要)

本プログラム番号が実行されると、7segLEDに[---]と表示され、下図の順番でスイッチの接続を検査するシーケンスが走るため、該当スイッチを押して検査を行います。シーケンスは以下のとおりです。

1. 該当スイッチ上のLEDが点滅します。(但しWORD CLOCKの場合は、全WORD CLOCK LEDが点滅します。)
2. スイッチが押されるとLEDは点灯に変わります。
3. 次の検査スイッチがLEDの点滅で表示されますので該当するスイッチを押します。
HPFを押した後は、+48V MASTERスイッチを切り替えてスイッチの確認をします。



検査が正常に終了するとターミナルソフトには、次の様に表示されます。

```
DIAG [02] SWITCH CHECK ..... DONE
AD8HR_DIAG>
```

4. 異常がなければ7segLEDに[d06]の"06"が点滅し、次の検査準備に入ります。

1 ~ 3を繰返し、接続に異常があったりタイムオーバーがあったりすると7segLEDに[E02]を3回点滅した後に[d02]の点灯で終了します。

```
AD8HR_DIAG>2
```

```
DIAG [02] SWITCH CHECK
```

```
NG or TIME OVER
```

```
WORD CLOCK (SW160)
```

```
SEL 1 (SW161)
```

```
SEL 2 (SW162)
```

```
SEL 3 (SW163)
```

```
SEL 4 (SW164)
```

```
SEL 5 (SW165)
```

```
SEL 6 (SW166)
```

```
SEL 7 (SW167)
```

```
SEL 8 (SW168)
```

```
+48V (SW169)
```

```
HPF (SW170)
```

```
+48V MASTER (SW151)
```

```
AD8HR_DIAG>_
```

(全くスイッチを押さないで、タイムオーバーの例)

2-4. [d06] COM A/B 検査 (HA REMOTE 1/2 端子検査)

GAINエンコーダでテストプログラム番号[d06]を選択し、[+48V]キーを押すとCOM A及びB検査が実行されます。(COM AをHA REMOTE 1端子、COM BをHA REMOTE 2端子に読みかえてください。)

また、ターミナルソフトから、

```
AD8HR_DIAG>6
```

と入力しても実行されます。(Enter 入力不要)

ターミナルソフトには以下の様に表示されます。

DIAG [06] COM A/B CHECK

Please connect COM A &B, and turn SW to RS422.
And push +48V SW.

D-SUB 9pin のシリアルクロスケーブルで HA REMOTE 1 端子と HA REMOTE 2 端子を接続し、RS422-PC の切換 SW を RS422 にした後 +48V SW を押すと DATA 送受信検査が行われます。(この作業は、time-out とならないよう 15 秒以内に行ってください。)

結果は以下のように 7seg LED に 3 回点滅して表示後、[d06] が点灯します。

[d06] ... OK

[E01] ... COM B -> A 送受信 NG

[E02] ... COM A -> B 送受信 NG

[E03] ... COM A <-> B 送受信 NG

[E04] ... +48V 押下待ち time-out

検査が終了したら、D-SUB 9pin のシリアルクロスケーブルを HA REMOTE 1 端子と PC の接続に戻し、RS422-PC の切換 SW を PC にします。

ターミナルソフトから [Enter] を入力すると以下の様に入力待ちの表示に戻ります。

AD8HR_DIAG>

2-5. その他の検査

1. [d04] HA GAIN TRIM 初期値設定 (自動)

準備 各 CH に基準信号(+6dBu)を入力します。

GAIN エンコーダでテストプログラム番号[d04]を選択し、[+48V]キーを押すと HA GAINTRIM 初期値設定が実行されます。また、ターミナルソフトから、

AD8HR_DIAG>4

と入力しても実行されます。(Enter 入力不要)

本プログラム番号が実行されると 7segLED に [d..] と表示され、GAIN を +4dB とし、Meter Level が -18dB となるように TRIM 値を調整していきます。信号が入力されていない CH はスキップします。

調整が完了すると FLASH MEMORY にこの値を書込み、7 seg LED に [d06] が点滅します。

また、ターミナルソフトには以下の様に測定した結果が表示されます。

信号が入力されていないか、 $\pm 1.5\text{dB}$ で調整できなかった CH は "NG or TIME OVER" と表示されます。

DIAG [04] TRIM PRESET MEASURING ... DONE

CH1 : -0.1dB

CH2 : NG or TIME OVER

:

CH8 : 0.0dB

AD8HR_DIAG>

2. [d05] HA GAIN TRIM 初期値設定 (手動)

準備 各 CH に基準信号(+6dBu)を入力します。

GAIN エンコーダでテストプログラム番号[d05]を選択し、[+48V]キーを押すとHA GAINTRIM 初期値設定が実行されます。また、ターミナルソフトから、

```
AD8HR_DIAG>5
```

と入力しても実行されます。(Enter 入力不要)

本プログラム番号が実行されると Meter が表示され、CH1 のチャンネル選択ボタンが点灯し、7seg LED にCH1 の現在の TRIM 値が表示されます。チャンネル選択ボタンを押すことによりそのCH が選択されTRIM 値が7segLED に表示されます。エンコーダを回すと TRIM が 0.1dB step で ± 1.5dB の範囲で変化するので、各 CH で Meter Level が -18dB となるように TRIM 値を手動調整していきます。

ターミナルソフトには以下の様に表示されます。

```
DIAG [05] TRIM PRESET MEASURING ...
```

```
Please push +48v SW, if measurement is completed.
```

[+48V]キーを押すと調整を終了し、FLASH MEMORY にこの値を書込み、7 seg LED に[d06]が点滅します。

3. [d10]メモリーのイニシャライズ

GAINエンコーダでテストプログラム番号[d10] を選択し、[+48V]キーを押すとメモリーのイニシャライズが実行されます。また、ターミナルソフトから、

```
AD8HR_DIAG>A
```

と入力しても実行されます。(Enter 入力不要)

本プログラム番号が実行されると、ターミナルソフトに以下の様に表示されます。

```
DIAG [10] MEMORY INITIALIZE ... DONE
```

```
AD8HR_DIAG>
```

4. [d11]プログラムのバージョンの表示

GAINエンコーダでテストプログラム番号[d11]を選択し、[+48V]キーを押すとプログラムのバージョンが7segLED に約1秒間表示されます。また、ターミナルソフトから、

```
AD8HR_DIAG>ver
```

と入力しても実行されます。

ターミナルソフトにも、

```
AD8HR software version is v x.xx (x.xx: バージョン)
```

```
AD8HR_DIAG>
```

のように表示されます。

検査では実行する必要はありません。

5. [d12]システムリセット

GAIN エンコーダでテストプログラム番号[d12]を選択し、[+48V]キーを押すとシステムがリセットされ、通常の動作モードに戻ることが出来ます。また、ターミナルソフトから、

```
AD8HR_DIAG>reset
```

と入力しても実行されます。

2-6. コマンド一覧

テストプログラムにはコマンドが用意されており、ターミナルソフトから以下のコマンドが実行できます。

```
AD8HR_DIAG> [ESC]
```

テストプログラムも含めて使用できるコマンドのメニューを表示します。

```
AD8HR_DIAG> 0
```

自動検査のプログラムを起動します。Page 45 を参照。

```
AD8HR_DIAG> 1
```

LED の検査のプログラムを起動します。Page 49 を参照。

```
AD8HR_DIAG> 2
```

スイッチの検査のプログラムを起動します。Page 49 を参照。

```
AD8HR_DIAG> 3
```

使用しません(工場検査用)

```
AD8HR_DIAG> 4
```

HA GAIN TRIM 初期値設定(自動)のプログラムを起動します。(必要に応じて実施) Page 51 を参照。

```
AD8HR_DIAG> 5
```

HA GAIN TRIM 初期値設定(手動)のプログラムを起動します。(必要に応じて実施) Page 52 を参照。

```
AD8HR_DIAG> 6
```

COM A/B の検査のプログラムを起動します。Page 50 を参照。

```
AD8HR_DIAG> 7
```

使用しません(工場検査用)

```
AD8HR_DIAG> 8
```

使用しません(工場検査用)

```
AD8HR_DIAG> 9
```

使用しません(工場検査用)

```
AD8HR_DIAG> A
```

使用しません(工場検査用)

```
AD8HR_DIAG> B
```

使用しません(工場検査用)

```
AD8HR_DIAG> C
```

使用しません(工場検査用)

```
AD8HR_DIAG> ver[Enter]
```

本体のプログラムのバージョンを表示します。Page 52 を参照。

```
AD8HR_DIAG> date[Enter]
```

製造年月日を表示します。たとえば、2000年1月1日なら The date of manufacture is 2000/01/01 と表示されます。

データがない時は、The date of manufacture is unknown となります。

```
AD8HR_DIAG> reset[Enter]
```

システムをリセットします。Page 53 を参照。

■ TOTAL INSPECTIONS

1. SETUP

1-1. Conditions

Set as described below unless there are instructions otherwise.

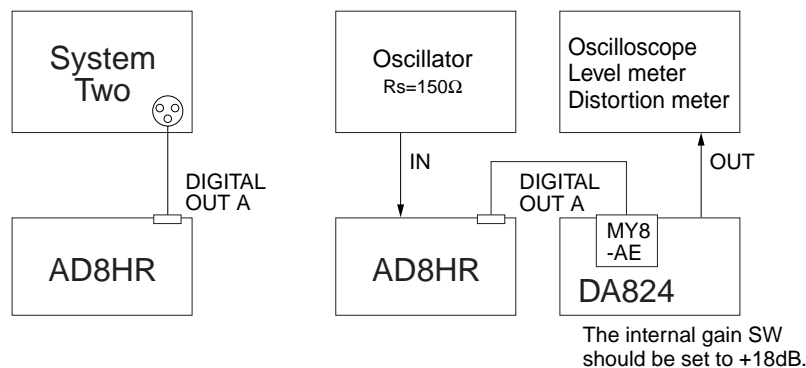
- Set the GAIN to 10dB and the WORD CLOCK INT to 96kHz.
- Measure at DIGITAL OUT A (AES/EBU).
- Input a signal only to the channel (hereafter CH) being measured.
- When measuring NCH, check that a signal is input to NCH.
- 0 dBu = 0.775Vrms
- 0 dBFS = 0 decibels - fullscale
- Set the output impedance of the oscillator to 150Ω.
- Set the input impedance on the oscilloscope or level meter to 100kΩ or more.
- In the noise measurement, correct with the Filter "A" WEIGHTING of System Two.
- In the distortion measurement, correct with BW:FS/2 of System Two.
- The EIN measurement should be made using the DA824 and MY8-AE cards and compensating (measuring the average value not effective value) with an LPF of -6dB/oct at 12.7kHz, or should be the test using System Two and a conversion value corrected with BW: 20kHz LP.

* Do not initialize the system unless having any influence on repair. Measured value shows the Factory Preset condition. When initializing the system, make sure to verify the data. Therefore, make sure to check the data. See "7. Factory Settings" for the initialization. (P.57)

1-2. Connection

① In case of using System Two

② In case of using DA824



2. Testing with WORD CLOCK INT 96kHz

2-1. INPUT 1 - 8CH

① Gain

Input Frequency	Input Level	GAIN	Specified OUT level	Tolerance Range
1kHz	+10dBu	+10dB	-20dBFS (-2dBu)	-20 ± 1dBFS (-2 ± 1dB)
	-8dBu	-8dB		
	-20dBu	-20dB		
	-50dBu	-50dB		
	-62dBu	-62dB		

The number in the parentheses () shows the output of DA824.

② f Gain

Condition: Use a tolerance range of 1kHz as standard.

Input Frequency	Input Level	GAIN	Tolerance Range
20Hz	+10dBu	+10dB	-1.5 ~ +1dB
	-62dBu	-62dB	-3 ~ +1dB
40kHz	+10dBu	+10dB	-1.5 ~ +1dB
	-62dBu	-62dB	-3 ~ +1dB

③ Distortion

Input Frequency	Input Level	GAIN	Specified OUT level	Tolerance Range
1kHz	+29dBu	+10dB	-1dBFS (+17dBu)	0.01% or lower
	-43dBu	-62dB	-1dBFS (+17dBu)	0.05% or lower

The number in the parentheses () shows the output of DA824.

④ Noise Level

Condition: INPUT 1 - 8CH shorted with 150Ω.

GAIN	Tolerance Range
+10dB	-108dBFS or lower (-90dBu or lower)

The number in the parentheses () shows the output of DA824.

⑤ Noise level EIN

Condition: INPUT 1 - 8CH shorted with 150Ω.

GAIN	Tolerance range
-62dB	-83dBFS or lower (-68dBu or lower / 12.7kHz, 6dB / using oct LPF)

The number in the parentheses () shows the output of DA824.

However, if not within tolerance range, then use: Measured value - (Gain at 1kHz) -125.

* Basis for EIN -125

This is used because of 3dB differential of measured values. This differential is made between one value (12.7kHz 6dB/oct LPF Weighted, Average) measured by a noise meter, the DA824 and the MY8-AE card, and the other value (20kHz BW, LPF Weighted) measured by the System Two.

Example: In case of the output of DA824,

$$\text{Measured value} - \text{Gain} - \text{EIN} = (-68) - (60) = -128 \text{ [dBu]}$$

is equivalent to EIN 125 dBu in System Two.

⑥ Level differential between channels

The range of differential gain when measured as in ① is specified as follows.

Tolerance Range
Within 1dB

⑦ Crosstalk between odd and even-numbered CH.

Conditions: Signal input to odd-numbered CH.

Even-numbered CH shorted with 150Ω.

Input Frequency	Output Level (odd number CH)	Tolerance Range (even number CH)
1kHz	-1dBFS (+17dBu)	-81dBFS or lower (-63dBu or lower)

The number in the parentheses () shows the output of DA824.

Same for even-numbered CH.

⑧ Phantom

Short pin 2 and pin 3 on the XLR, connect a 10kΩ load across pins 2-1, and set the +48V MASTER SW key to ON. The voltage shall be as follows when the +48V key is ON.

Tolerance Range
DC33 ~ 37V

With the +48V MASTER SW key at OFF, check that discharge quickly starts when the +48V key is set to OFF.

3. Test during Word Clock INT48kHz

3-1. INPUT 1 - 8 CH

Conditions: Measure at DIGITAL OUT B (AES/EBU).

① Distortion

Input Frequency	Input Level	GAIN	Output Level	Tolerance Range
1kHz	+29dBu	+10dB	-1dBFS (+17dBu)	0.01% or less
	-43dBu	-62dB	-1dBFS (+17dBu)	0.05% or less

The number in the parentheses () shows the output of DA824.

② Noise Level

Condition: INPUT 1 - 8CH shorted with 150Ω.

Corrected at BW:FS/2 on System Two.

GAIN	Tolerance Range
+10dB	-105dBFS or less (-87dBu or lower)

The number in the parentheses () shows the output of DA824.

4. PLL operating range for WORD CLOCK IN. DIGITAL OUT A

Conditions: Use System Two.

When measuring distortion, select BW: FS/2.

Test on CH 1 & 2 on DIGITAL OUT A.

Select the WORD CLOCK from the following.

Select WORD CLOCK IN when testing Word Clock IN.

Select DIGITAL OUT A when testing Digital Out A.

Input signal from INPUT 1, 2.

A. 96kHz+6% (101.76kHz)

Conditions: During testing of WORD CLOCK IN, set the oscillator frequency to 96kHz+6%.

During testing of DIGITAL OUT A, set the frequency (Sample Rate) of System Two to 96kHz+6%.

① Distortion (for both WORD CLOCK IN and DIGITAL OUT A)

Input Frequency	Input Level	GAIN	Output Level	Tolerance Range
1kHz	+29dBu	+10dB	-1dBFS	0.01% or less

B. 44.1kHz-10% (39.69kHz)

Conditions: During testing of WORD CLOCK IN, set the oscillator frequency to 44.1kHz-10%.

During testing of DIGITAL OUT A, set the frequency (Sample Rate) of System Two to 44.1kHz-10%.

① Distortion (for both WORD CLOCK IN and DIGITAL OUT A)

Input Frequency	Input Level	GAIN	Output Level	Tolerance Range
1kHz	+29dBu	+10dB	-1dBFS	0.01% or less

5. Jitter measurement

Conditions: Use System Two.

Select sec, PK.

Select BW: from 700Hz to 100kHz.

Test on CH 1 & 2 on DIGITAL OUT A.

5-1. WORD CLOCK INT

Conditions: Select a WORD CLOCK value from the following table.

① Jitter

WORD CLOCK	Tolerance Range
INT44.1kHz	2nsec or less
INT48kHz	2nsec or less
INT88.2kHz	2nsec or less
INT96kHz	2nsec or less

5-2. WORD CLOCK EXT

Conditions: Select the following for WORD CLOCK.

Select WORD CLOCK during testing of WORD CLOCK IN.

Select DIGITAL OUT A during testing of DIGITAL OUT A.

During WORD CLOCK IN testing, select the oscillator frequency from the values in the following table.

During DIGITAL OUT A testing, select the System Two frequency (Sample Rate) from the values in the following table.

① Jitter (for both WORD CLOCK IN and DIGITAL OUT A)

WORD CLOCK	Tolerance Range
44.1kHz	5nsec or less
48kHz	5nsec or less
88.2kHz	5nsec or less
96kHz	5nsec or less

6. Measurement of double-channel mode Fs

Conditions: Use System Two.

Test DIGITAL OUT A on CH 1 & 2.

WORD CLOCK INT96kHz

① Start up the system by setting the power switch to ON while holding down the WORD CLOCK key and Channel Select Button [2] key. Now check that "AE2" appears on the 7 segment LED.

② Check that the value on the Digital I/O panel INPUT screen of System Two is as shown below.

Sample Rate-ISR : 48kHz \pm 0.1kHz

7. Factory settings

- Initializing (Factory Preset)

Turning the power ON while holding down the Channel Select Button [4] key and [+48V] key to start up allows initializing the system to the factory settings. (+48V MASTER SW: OFF)

Value is as follows.

WORD CLOCK	INT 48kHz
HA GAIN	10dB (All CH)
+48V	OFF (All CH)
HPF	OFF (All CH)
HPF FREQ	80Hz (All CH)
GAIN TRIM	Factory setting value (All CH)
LED luminance	7 (Max)

Others: switches not controlled by the CPU are as follows.

- +48V MASTER: OFF
- PC RS422: RS422

■ 総合検査

1. 準備

1-1. 条件

特に指定しないときは以下の条件とします。

- GAIN 10dB、WORD CLOCK INT96kHz とします。
- DIGITAL OUT A (AES/EBU) で測定。
- 測定 CH のみ信号入力します。
- NCH を測定する時はNCH に信号入力することを確認します。
- 0dBu = 0.775Vrms
- 0dBFS = 0 デシベル・フルスケール
- 発振器の出力インピーダンスは 150Ω とします。
- オシロスコープ、レベル計等の入力インピーダンスは 100kΩ 以上とします。
- ノイズ測定は System Two の Filter: "A"WEIGHTING で補正。
- 歪み測定は System Two の BW : FS/2 で補正。
- EIN 測定は DA824 と MY8-AE カードを使用し 12.7kHz, -6dB/oct の LPF で補正 (実効値ではなく平均値での測定) して測定するか、または System Two を使用し BW: 20kHz LP で補正した換算値での検査とします。

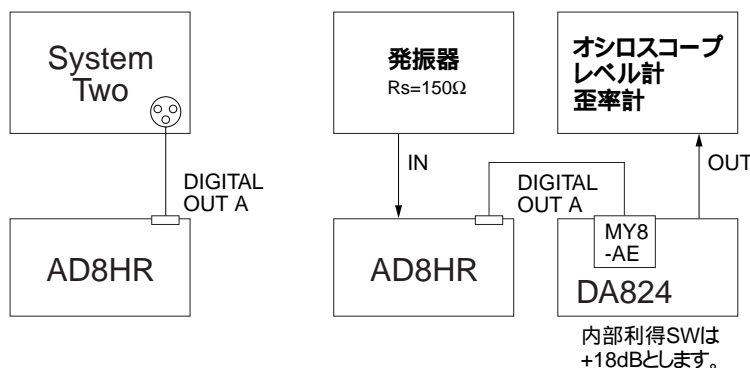
修理時に影響がなければ初期化は行わないでください。

測定値は、初期化 (Factory Preset) された状態を示していますが、初期化を実施する場合にはデータ確認を必ず行ってください。初期化の方法は、7. 出荷設定 (P.61) を参照してください。

1-2. 接続

① System Twoを使用する場合

② DA824を使用する場合



2. WORD CLOCK INT96kHz 時検査

2-1. INPUT 1 ~ 8CH

利得

入力周波数	入力レベル	GAIN	規定出力レベル	許容範囲
1kHz	+10dBu	+10dB	-20dBFS (-2dBu)	-20 ± 1dBFS (-2 ± 1dB)
	-8dBu	-8dB		
	-20dBu	-20dB		
	-50dBu	-50dB		
	-62dBu	-62dB		

() は DA824 出力の場合

f 得

条件 許容範囲は 1kHz を基準とします。

入力周波数	入力レベル	GAIN	許容範囲
20Hz	+10dBu	+10dB	-1.5 ~ +1dB
	-62dBu	-62dB	-3 ~ +1dB
40kHz	+10dBu	+10dB	-1.5 ~ +1dB
	-62dBu	-62dB	-3 ~ +1dB

歪率

入力周波数	入力レベル	GAIN	規定出力レベル	許容範囲
1kHz	+29dBu	+10dB	-1dBFS (+17dBu)	0.01%以下
	-43dBu	-62dB	-1dBFS (+17dBu)	0.05%以下

() は DA824 出力の場合

ノイズレベル

条件 INPUT 1 ~ 8CH 150Ω でショート。

GAIN	許容範囲
+10dB	-108dBFS 以下(-90dBu 以下)

() は DA824 出力の場合

ノイズレベルEIN

条件 INPUT 1 ~ 8CH 150Ω でショート。

GAIN	許容範囲
-62dB	-83dBFS 以下(-68dBu 以下 / 12.7kHz, 6dB/oct LPF 使用)

() は DA824 出力の場合

ただし上記許容範囲に入らない場合は、測定値 - (1kHz における利得) -125 のこと。

EIN -125 の根拠

ノイズメータと DA824 と MY8-AE カードを使用し 12.7kHz, -6dB/oct の LPF で補正(実効値ではなく平均値での測定)した場合と、System Two を使用し BW: 20kHz LP で補正した場合の測定差が 3dB の為。

参考: DA824出力の場合で

$$(-68) - (60) = -128 \text{ [dBu]} \quad \text{が System Two で EIN 125 dBu と等価になります。}$$

測定値 利得 EIN

CH 間のレベル差

で測定した利得の差の範囲を以下の様に規定します。

許容範囲
1dB 以内

奇数 CH / 偶数 CH 間のクロストーク

条件 奇数 CH 側に信号を入力。

偶数 CH 側は 150Ω でショート。

入力周波数	出力レベル(奇数 CH)	許容範囲(偶数 CH)
1kHz	-1dBFS (+17dBu)	-81dBFS 以下(-63dBu 以下)

() は DA824 出力の場合

偶数 CH 側も同様です。

ファントム

XLR の 2 ピンと 3 ピンをショートし、2-1 ピン間に 10kΩ 負荷を接続して +48V MASTER SW を ON にし、+48V キーを ON にしたときの電圧は以下のように規定します。

許容範囲
DC33 ~ 37V

+48V MASTER SW を OFF にしたときと、+48 キーを OFF にしたとき速やかに放電を開始することを確認してください。

3. WORD CLOCK INT48kHz 時検査

3-1. INPUT 1 ~ 8CH

条件 DIGITAL OUT B (AES/EBU) で測定。

歪率

入力周波数	入力レベル	GAIN	出力レベル	許容範囲
1kHz	+29dBu	+10dB	-1dBFS (+17dBu)	0.01%以下
	-43dBu	-62dB	-1dBFS (+17dBu)	0.05%以下

() は DA824 出力の場合

ノイズレベル

条件 INPUT 1 ~ 8CH 150Ω でショート。

System Two の BW: FS/2 で補正。

GAIN	許容範囲
+10dB	-105dBFS 以下(-87dBu 以下)

() は DA824 出力の場合

4. WORD CLOCK IN. DIGITAL OUT A の PLL 動作範囲

条件 System Two を使用。

歪み測定時、BW: FS/2 を選択。

DIGITAL OUT A の CH 1/2 で検査。

WORD CLOCK は以下を選択します。

WORD CLOCK IN の検査時: WORD CLOCK IN

DIGITAL OUT A の検査時: DIGITAL OUT A

INPUT1, 2 から入力してください。

A. 96kHz+6% (101.76kHz)

条件 WORD CLOCK IN の検査時は、発振器の周波数設定を 96kHz+6% にします。

DIGITAL OUT A の検査時は System Two の周波数設定 (Sample Rate) を 96kHz+6% にします。

歪率 (WORD CLOCK IN, DIGITAL OUT A 共)

入力周波数	入力レベル	GAIN	出力レベル	許容範囲
1kHz	+29dBu	+10dB	-1dBFS	0.01%以下

B. 44.1kHz-10% (39.69kHz)

条件 WORD CLOCK IN の検査時は、発振器の周波数設定を 44.1kHz-10% にします。

DIGITAL OUT A の検査時は System Two の周波数設定 (Sample Rate) を 44.1kHz-10% にします。

歪率 (WORD CLOCK IN, DIGITAL OUT A 共)

入力周波数	入力レベル	GAIN	出力レベル	許容範囲
1kHz	+29dBu	+10dB	-1dBFS	0.01%以下

5. ジッター測定

条件 System Two を使用。

sec, PK を選択。

BW: 700Hz to 100kHz を選択。

DIGITAL OUT A の CH 1/2 で検査。

5-1. WORD CLOCK INT

条件 条件 WORD CLOCK は下記表の値を選択します。

ジッター

WORD CLOCK	許容範囲
INT44.1kHz	2nsec 以下
INT48kHz	2nsec 以下
INT88.2kHz	2nsec 以下
INT96kHz	2nsec 以下

5-2. WORD CLOCK EXT

条件 WORD CLOCK は以下を選択します。

WORD CLOCK IN の検査時: WORD CLOCK IN

DIGITAL OUT A の検査時: DIGITAL OUT A

WORD CLOCK IN の検査時は、発振器の周波数設定を下記表の値を選択します。

DIGITAL OUT A の検査時は System Two の周波数設定 (Sample Rate) を下記表の値を選択します。

ジッター (WORD CLOCK IN, DIGITAL OUT A 共)

WORD CLOCK	許容範囲
44.1kHz	5nsec 以下
48kHz	5nsec 以下
88.2kHz	5nsec 以下
96kHz	5nsec 以下

6. ダブルチャンネルモード Fs 測定

条件 System Two を使用。

DIGITAL OUT A の CH 1/2 で検査。

WORD CLOCK INT96kHz

WORD CLOCK キーとチャンネル選択ボタン「2」キーを押しながら電源スイッチをONにしてシステムを立ち上げ、7seg に "AE2" と表示される事を確認します。

System Two の Digital I/O パネル INPUT 画面内の値が下記の通りであることを確認します。

Sample Rate-ISR : 48kHz ± 0.1kHz

7. 出荷設定

- ・初期化 (Factory Preset)

チャンネル選択ボタン「4」キーと[+48V]キーを押しながら電源スイッチをONしてシステムを立ち上げれば、工場出荷時の状態に初期化されます。(+48V MASTER SW はOFF にしておいてください。)

値は次の通りです。

WORD CLOCK INT 48kHz
 HA GAIN 10dB (全CH)
 +48V OFF (全CH)
 HPF OFF (全CH)
 HPF FREQ 80Hz (全CH)
 GAIN TRIM 工場出荷時の値(全CH)
 LED 輝度 7 (最大)

その他、CPU により制御されない SW は以下の通りとします。

- ・+48V MASTER: OFF
- ・PC RS422: RS422

■ UPGRADE

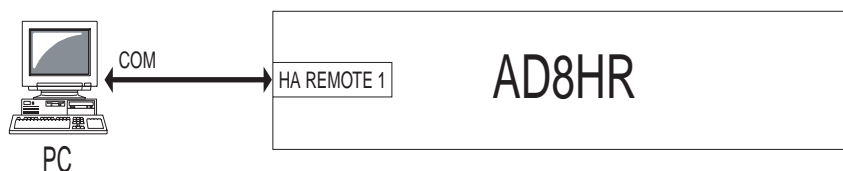
The AD8HR contains an internal flash memory. The software version can be upgraded from the HA REMOTE 1 terminal by using dedicated software on a Windows PC.

A check is made for a system program in the flash memory when the power is turned on.

If the correct system program is found, then the start up runs as usual. If the flash memory contains no such program or if there is a program error, then program boot mode is automatically triggered.

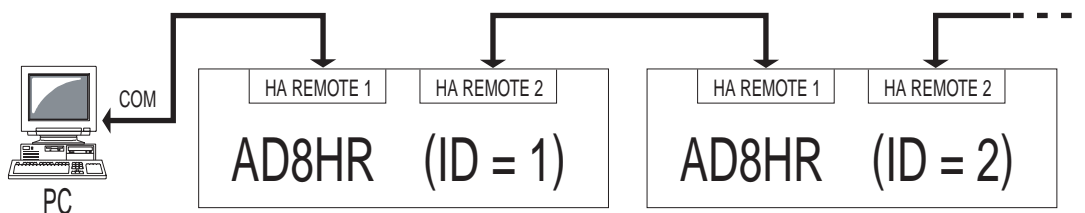
(1) Connections

Connect a serial port on the PC to the HA REMOTE 1 terminal on the AD8HR with the D-SUB 9-pin serial cross-cable. Select the PC/RS422 selector switch to the PC side.



The version upgrade program can also be loaded into 2 or more AD8HR units connected as shown below. However, device numbers are determined as the order of HA REMOTE 1 terminals connected near PC.

(The software can accommodate up to 4 units.)



(2) Software

When the need of version upgrade arises, prepare the following files (in common with AD824.)

Download either of the following update programs on the download site of YSISS home page.

(YSISS URL >> <http://plaza.yamaha.co.jp/ysiss/exindex.nsf>)



* You also need another file for version upgrade, ad8hrv xxx.hex.

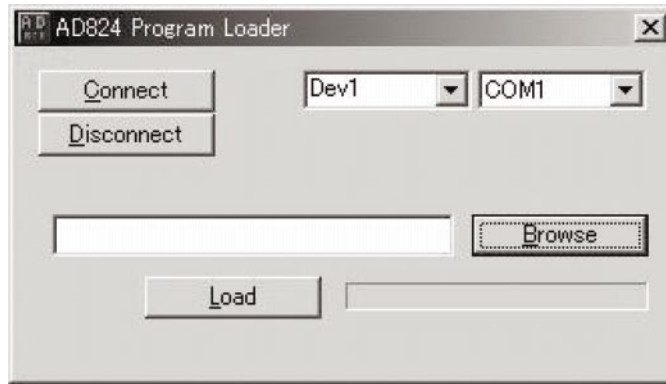
xxx : version No.

(2.1) Starting up the software

Double-clicking the LoadAD824.exe icon starts up the program and a display as shown below appears. The COM terminal of the PCs currently connected to the unit can be switched in the dialog box on the upper right.

(The figure below shows when COM1 is selected.)

When loading the program into 2 or more AD8HR units, the device numbers can be selected with the dialog box in the upper center. (The figure shows that Dev1 (1st device) is selected.)



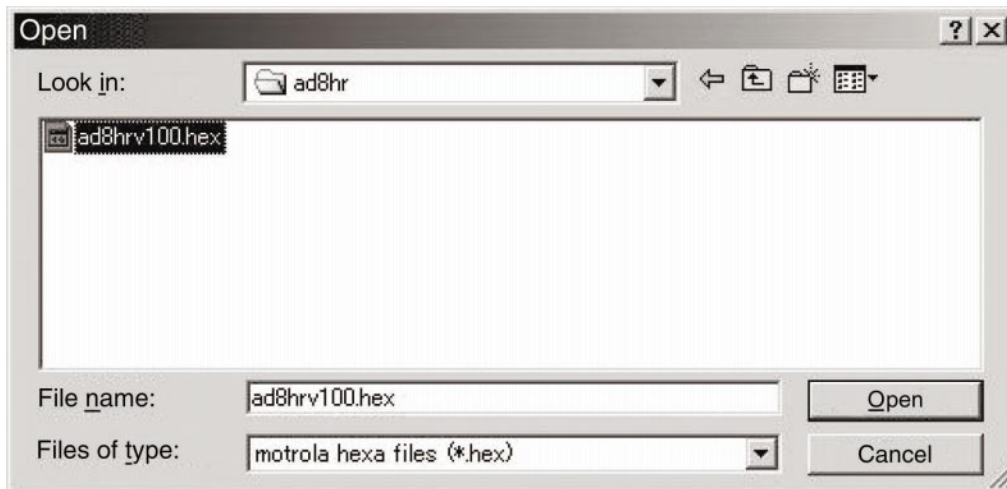
(2.2) Connecting to AD8HR

Clicking the [Connect] switch sends a command to set the AD8HR in program load mode. If the connection is successful, the following message appears. Clicking "OK" displays the device number on the 7 segment LED along with a portion of the currently loaded program version. For example, if the device number is 1 and the program version is 1.00, then "d01" and "r1.0" alternately light up on the display. (See Pages 41 to find the correct version.)



(2.3) Loading a file

Clicking the [Browse] button opens the following window. Specify a file to load into the AD8HR and then click the [OPEN] button.



(2.4) Loading a program

Clicking on the [Load] switch starts loading the program. When finished, the following message appears.



(2.5) Others

Clicking on the [Disconnect] switch resets the AD8HR to normal mode.

■ バージョンアップ

AD8HR はフラッシュメモリが搭載されており、HA REMOTE 1 端子からソフトウェアをバージョンアップすることができ、Windows PC 上から専用ソフトウェアで行います。

電源投入時、フラッシュメモリにシステムプログラムが入っているかどうかを判別します。

正常なシステムプログラムが入っている場合は通常通り起動し、プログラムが入っていなかったり、プログラムに異常があった場合は自動的にプログラムブートモードになります。

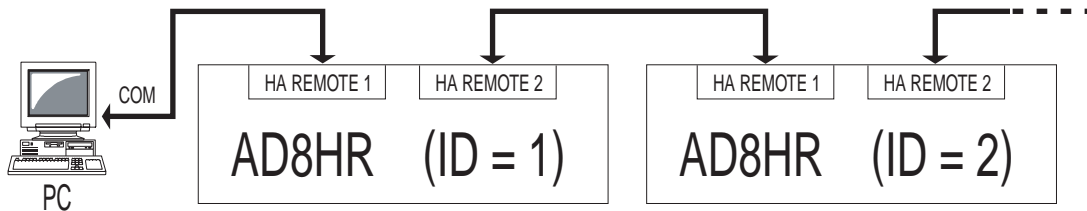
(1) 接続

PC シリアルポートと AD8HR の HA REMOTE 1 端子を D-SUB 9pin のシリアルクロスケーブルで接続します。PC/RS422 の切替スイッチは PC を選択してください。



また、下の様に接続することによって2台目以降のAD8HRにもロードできます。ただしPCに近い側に接続されている HA REMOTE 1 端子の順番がデバイスナンバーとなります。

(下記のソフトウェアでは4台目まで対応)



(2) ソフトウェア

バージョンアップの必要が生じた場合は、下記のファイルを準備します。(AD824 と共通)。
(ヤマハCSセンターホームページのダウンロードページからダウンロードしてください。)



他にバージョンアップ用のファイル (ad8hrv xxx.hex) が必要です。

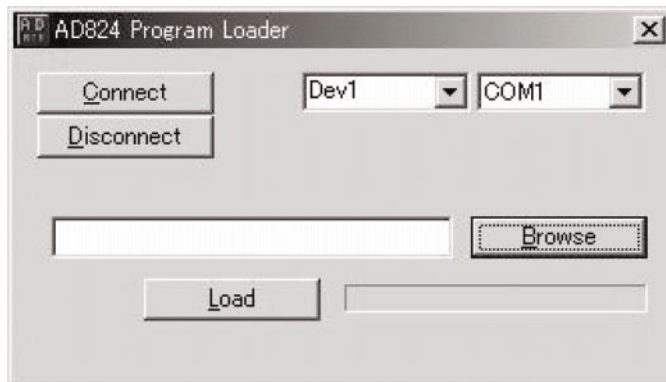
xxx : バージョン NO.

(2.1) ソフトウェアの起動

LoadAD824.exeのアイコンをダブルクリックするとプログラムが起動し以下の様な表示になります。右上のダイアログボックスで接続されているPCのCOM端子を切り替えることも出来ます。

(図はCOM1を選択している場合です)

また、2台目以降のAD8HRにプログラムをロードする時は真中上のダイアログボックスでデバイスナンバーを切り替えてください。(図はDev 1 (1台目)を選択している場合です。)



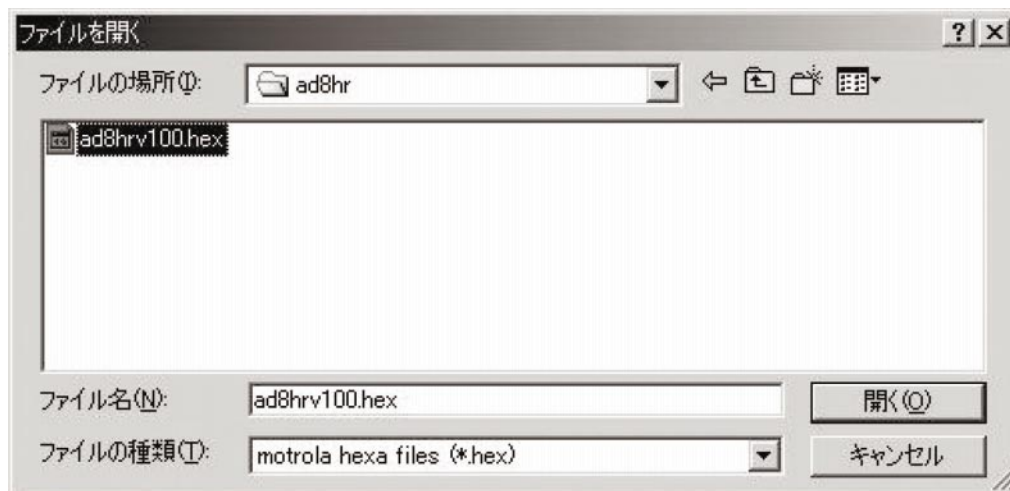
(2.2) AD8HR との接続

[Connect]のスイッチをクリックするとAD8HRをプログラムロードモードにするコマンドが送信されます。接続に成功すると以下の様なメッセージが現れます。"OK"をクリックすると、AD8HRは7segLEDにデバイスナンバーと現在入っているプログラムのバージョンの一部を表示します。たとえば、デバイスナンバーが1でプログラムのバージョンが1.00の場合は、"d01"と"r1.0"が交互に点灯します。(正確なバージョンを知るにはPage 52を参照のこと)



(2.3) ロードするファイルの読み込み

[Browse]のスイッチをクリックすると以下の様なウィンドウが開くので、AD8HRにロードするファイルを指定して[開く]のスイッチをクリックします。



(2.4) プログラムのロード

[Load]のスイッチをクリックするとプログラムのロードが始まり、終了すると以下の様なメッセージが表示されます。



(2.5) その他

[Disconnect]のスイッチをクリックするとAD8HRを通常モードにリセットできます。

■ ERROR MESSAGES(エラーメッセージ)

The AD8HR automatically diagnoses itself at the time of power up. If it detects a system abnormality, one of the following error messages appears.

E1: The backup battery voltage is low. If the voltage is lowered further, the stored data will be erased.

E2: The backup memory is corrupted.

E3: The backup battery voltage is very low and the backup memory is corrupted.

AD8HR は起動時に内部チェックをして自己診断します。システムに異常がある場合は、以下のエラーメッセージが表示されます。

E1: バックアップバッテリーの電圧が低下しています。さらに電圧が低下すると、保存されているデータが消えてしまいます。

E2: バックアップメモリーが壊れています。

E3: バックアップバッテリーの電圧が低下し、バックアップメモリーが壊れています。

AD CONVERTER WITH REMOTE PREAMP

AD8HR PARTS LIST


■ CONTENTS(目次)


OVERALL ASSEMBLY(総組立).....	2
ELECTRICAL PARTS(電気部品).....	5-23

Notes : DESTINATION ABBREVIATIONS

A : Australian model	M : South African model
B : British model	O : Chinese model
C : Canadian model	Q : South-east Asia model
D : German model	T : Taiwan model
E : European model	U : U.S.A. model
F : French model	V : General export model (110V)
H : North European model	W : General export model (220V)
I : Indonesian model	N,X: General export model
J : Japanese model	Y : Export model
K : Korean model	

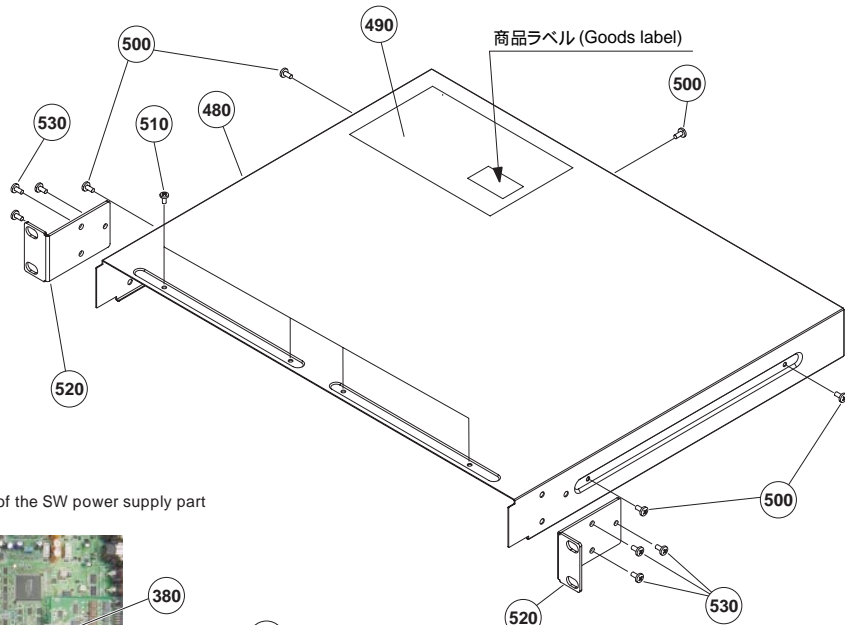
■ WARNING

Components having special characteristics are marked  and must be replaced with parts having specification equal to those originally installed.

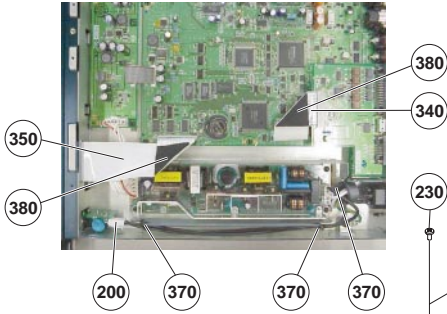
 印の部品は、安全を維持するために重要な部品です。交換する場合は、安全のために必ず指定の部品をご使用ください。

- The numbers "QTY" show quantities for each unit.
- The parts with "--" in "PART NO." are not available as spare parts.
- This mark "}" in the REMARKS column means these parts are interchangeable.
- The second letter of the shaded (■) part number is O, not zero.
- The second letter of the shaded (■) part number is I, not one.
- 部品価格ランクは、変更になることがあります。
- QTY欄に記されている数字は、各ユニット当たりの使用個数です。
- PART NO.が"--"の部分は、サービス用部品として準備されておりません。
- REMARKS欄の「}」マークの部品は、併用部品です。
- 網掛けの付いたPART NO. の2番目の文字は「ゼロ」ではなく、「オー」です。
- 網掛けの付いたPART NO. の2番目の文字は「イチ」ではなく、「アイ」です。

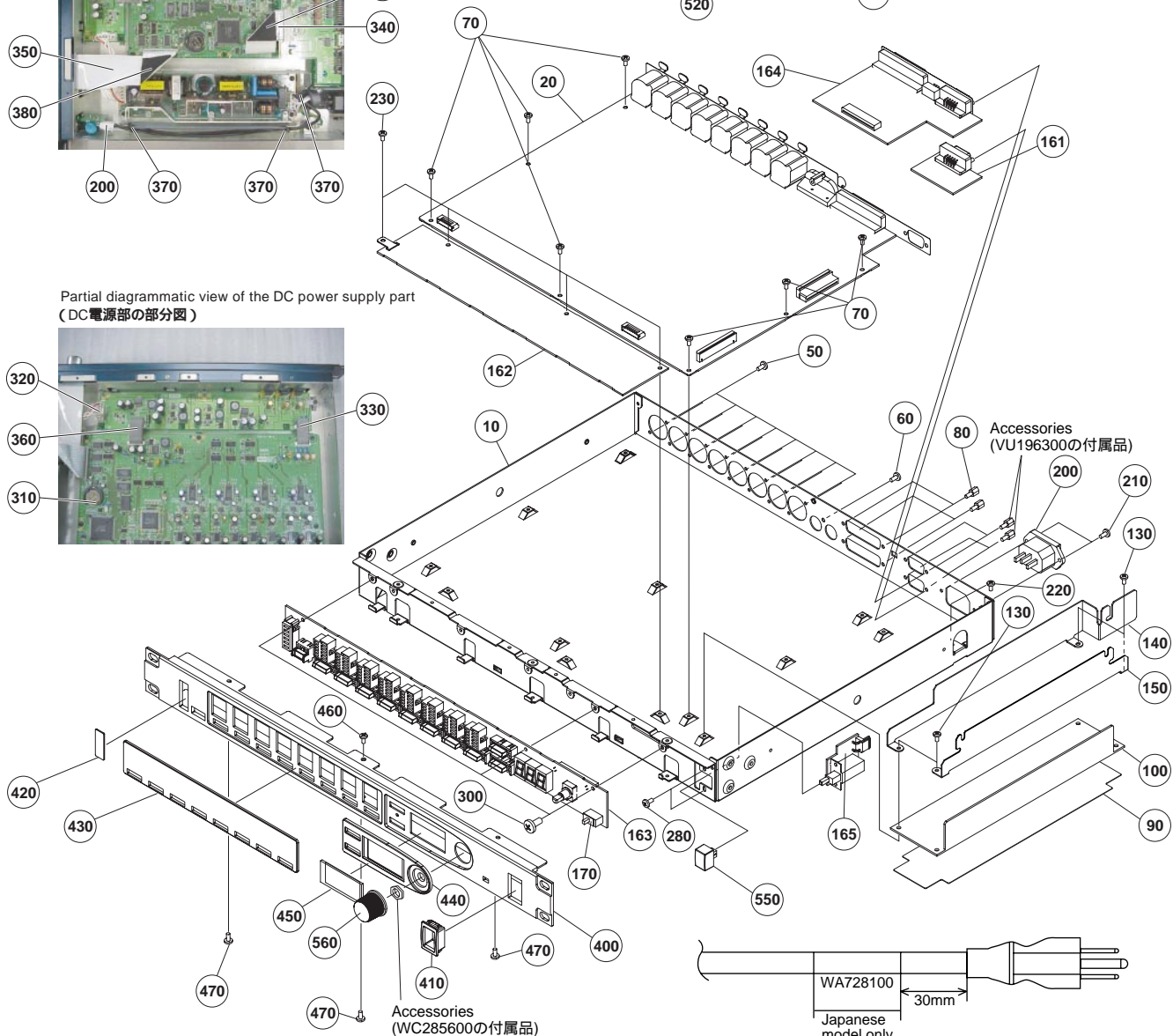
OVERALL ASSEMBLY (総組立)



Partial diagrammatic view of the SW power supply part
(SW電源部の部分図)



Partial diagrammatic view of the DC power supply part
(DC電源部の部分図)



REF NO.	PART NO.	DESCRIPTION	部 品 名	REMARKS	QTY	RANK
	--	OVERALL ASSEMBLY	総組立	AD8HR (WC23830)		
10	WC238400	Bottom Chassis Assembly	ボトムシャーシA s s ' y			
10a	--	Bottom Chassis	ボトムシャーシ印刷品	(WC23850)		
10b	EP630210	Bind Head Tapping Screw-S	3.0X6 MFZN2BL	+ バインドS タイ	4	01
10c	VI693100	Bind Head Tapping Screw-S	4.0X8 MFZN2BL	+ バインドS タイ		01
20	WC668400	Circuit Board Assembly	メインシートA s s ' y			
20a	--	Circuit Board	MAIN	M A I N シ ー		
20b	--	Shield, MAIN		シールドM A I N		(WC06220)
50	VB096700	Bind Head Tapping Screw-B	2.6X8 MFZN2BL	+ バインドB タイ	16	01
60	EP600190	Bind Head Tapping Screw-B	3.0X8 MFZN2BL	+ バインドB タイ		01
70	EP630210	Bind Head Tapping Screw-S	3.0X6 MFZN2BL	+ バインドS タイ	7	01
80	VS604900	Hex Locking Screw	JFS-2.6S-BIWL	6 角 ロ ッ ク ネ ジ	4	01
90	--	PS Cover		P S カ バ ー		(WC24100)
100	WC518600	Power Supply Unit	LEA75F-24 J,UL,CSA	電 源 ユ ニ ッ ト		20
130	EP630210	Bind Head Tapping Screw-S	3.0X6 MFZN2BL	+ バインドS タイ	4	01
140	--	Partition L	LEFT	仕 切 り 板 L		(WC66450)
150	--	Partition R	RIGHT	仕 切 り 板 R		(WC66460)
161	AA52660	Circuit Board	COMB (PNCOM)	C O M B シ ー		(WC23990)
162	AA52670	Circuit Board	DC (PNCOM)	D C シ ー		(WC23990)
163	AA52700	Circuit Board	PN (PNCOM)	P N シ ー	with Guide/Guard	(WC23990)
163a	WB436100	Button, BRIGHT		ボ タ ン 照 光	1-8,+48V,HPF	10
163b	WC240000	LED Guide	MT	L E D ガ イ ド M T		8
163c	WC240100	LED Guide	ID	L E D ガ イ ド I D		
163d	WC239600	Button Guard		ボ タ ン ガ ー		
164	AA52690	Circuit Board	SUB (PNCOM)	S U B シ ー	with Shield SUB	(WC23990)
164a	--	Shield, SUB		シ ー ル ド S U B		(WC66440)
165	AA52680	Circuit Board	SW (PNCOM)	S W シ ー		(WC23990)
170	WC470000	Switch Cover	AD8HR	S W カ バ ー 印 刷 品		
200	WB440900	AC Inlet Assembly	AC INLET VH 3P/5P	インレットA s s ' y		
200a	V5065200	AC Inlet	3P M1908-C	A C インレット 3 P	AC IN	03
200b	LB015030	Connector Housing	VH 3P	ハ ウ ジ ン グ		01
200c	LB015050	Connector Housing	VH 5P	ハ ウ ジ ン グ		01
200d	LB101710	Connector Pin	SVH-21T-P1.1	圧 着 端 子		4
200e	--	Tube Black	M5.0	ス ミ チ ュ ー プ ク ロ		(CH00428)
200f	--	Earth Lug		ア ー ス ラ グ T I 0 4 3 2		(WA11050)
200g	VC362700	Ferrite Core	FR25/15/12-1400L	フ ェ リ ッ ト コ ア		04
210	EP600190	Bind Head Tapping Screw-B	3.0X8 MFZN2BL	+ バインドB タイ	2	01
220	VI693100	Bind Head Tapping Screw-S	4.0X8 MFZN2BL	+ バインドS タイ		01
230	EP630210	Bind Head Tapping Screw-S	3.0X6 MFZN2BL	+ バインドS タイ	4	01
280	EP630210	Bind Head Tapping Screw-S	3.0X6 MFZN2BL	+ バインドS タイ	2	01
300	EP630210	Bind Head Tapping Screw-S	3.0X6 MFZN2BL	+ バインドS タイ	3	01
310	VN103500	Lithium Battery	CR2032	リ チ ウ ム 電 池		03
320	WC231700	Connector Assembly	VH&VH 1430 6P 100L	束 線 # 2 0		
330	WC358000	Jumper Wire	FVP=2.0C26SB8-50	ジャンパーワイヤー		01
340	VT834700	Cable, FFC	P=1.25-K-28-80	F F C ケーブル B N C D		02
350	WA762100	Cable, FFC	P=1.25-K-32-140	F F C ケーブル B N C D		02
360	WC358100	Jumper Wire	FVP=2.0C26SB9-50	ジャンパーワイヤー		01
370	CB069250	Cord Holder	BK-1	インシュロックタイ		3
380	--	Cushion		クッションF F C		(WD25920)
400	WC238700	Front Panel		フロントパネル印刷品		
410	WB426500	Button Guide	PSW	ボタンガイドP S W		
420	WC239100	Window	ID	ウインドウI D 印刷品		
430	WC238900	Window	MT	ウインドウM T 印刷品		
440	WC324500	Escutcheon		エスカッション部材品		
450	WC239300	Window	7S	ウインドウ7 S 印刷品		
460	WD010800	Flat Head Screw-S	3.0X6 MFZN2BL	S タイ 平 頭		01
470	EP630210	Bind Head Tapping Screw-S	3.0X6 MFZN2BL	+ バインドS タイ	3	01
480	WB424400	Top Cover		トップカバープレス品		
490	--	Label	MULTI	規 格 ラ ベ ル		(WC54640)
500	EP630210	Bind Head Tapping Screw-S	3.0X6 MFZN2BL	+ バインドS タイ	9	01
510	WD010800	Flat Head Screw-S	3.0X6 MFZN2BL	S タイ 平 頭	4	01
520	WB424500	Angle Bracket, Rack		ラ ッ ク ア ン グ ル	2	
530	VI693100	Bind Head Tapping Screw-S	4.0X8 MFZN2BL	+ バインドS タイ	6	01
550	WB426600	Button	PSW	ボ タ ン P S W	POWER ON/OFF	
560	WC361600	Knob Assembly		ノ ブ A s s ' y	Encoder	
	VQ240200	ACCESSORIES Adaptor, AC Cord	KPR-24	付 属 品 変 換 ア ダ プ タ ー	J	06

*: New Parts

RANK: Japan only



REF NO.	PART NO.	DESCRIPTION		部 品 名	REMARKS	QTY	RANK
	VT119800	AC Cord	J 7A 125V 3P 2.5m	電 源 コ ー ド	J		06
	WA728100	Label	AC Cord	注 意 ラ ベ ル	J		05
	VB927800	AC Cord	CSA	(ACコードに貼付して下さい) 電 源 コ ー ド	U,C,V		08
	VB928000	AC Cord	VDE	電 源 コ ー ド	H,W,K		08
	VP204400	AC Cord	BS 3P	電 源 コ ー ド	B		10
*	WC901300	AC Cord	RVV300/500 3P 2.5m	電 源 コ ー ド	O	(Chinese model)	
*	WC663800	Rubber Foot Assembly	4 pc set	ゴ ム 脚 A s s ' y			
a	--	Rubber Foot Black	T1.6	ゴ ム 脚	(WC54220)	4	
		JIGS		治 具			
*	AAx52710	Tool	NC3FA/NC3FB	ラ ッ チ 外 し 工 具	latch		
	TX000021	Tool		ツ マ ミ 抜 取 り レ バ ー	knob,lever		

*: New Parts

RANK: Japan only

ELECTRICAL PARTS(電気部品)

REF NO.	PART NO.	DESCRIPTION	部 品 名	REMARKS	QTY	RANK
		ELECTRICAL PARTS		電 気 部 品	AD8HR	
*	--	Circuit Board	MAIN	M A I N シ ー ト	(WC06220)(X4874B0)	
*	WC069900	Circuit Board	HIC-HA	H I C - H A シ ー ト	(WC06320)(X4876A0)	
*	AAX52660	Circuit Board	COMB (PNCOM)	C O M B シ ー ト	(WC23990)(X4875B0)	
*	AAX52670	Circuit Board	DC (PNCOM)	D C シ ー ト	(WC23990)(X4875B0)	
*	AAX52700	Circuit Board	PN (PNCOM)	P N シ ー ト	(WC23990)(X4875B0)	
*	AAX52690	Circuit Board	SUB (PNCOM)	S U B シ ー ト	(WC23990)(X4875B0)	
*	AAX52680	Circuit Board	SW (PNCOM)	S W シ ー ト	(WC23990)(X4875B0)	
*	--	Circuit Board	MAIN	M A I N シ ー ト	(WC06220)(X4874B0)	
BT001	VN103600	Battery Holder	CR2032	バ ッ テ リ ー ホ ル ダ ー		03
C001	US145100	Ceramic Capacitor-F (chip)	0.1000 25V Z	チ ッ プ セ ラ (F)		01
C002	US145100	Ceramic Capacitor-F (chip)	0.1000 25V Z	チ ッ プ セ ラ (F)		01
C003	UF018100	Electrolytic Cap. (chip)	100 6.3V	チ ッ プ ケ ミ コ ン		01
C004	US063150	Ceramic Capacitor-B (chip)	1500P 50V K	チ ッ プ セ ラ (B)		01
C005	US063150	Ceramic Capacitor-B (chip)	1500P 50V K	チ ッ プ セ ラ (B)		01
C006	US145100	Ceramic Capacitor-F (chip)	0.1000 25V Z	チ ッ プ セ ラ (F)		01
-008	US145100	Ceramic Capacitor-F (chip)	0.1000 25V Z	チ ッ プ セ ラ (F)		01
C009	US063150	Ceramic Capacitor-B (chip)	1500P 50V K	チ ッ プ セ ラ (B)		01
C010	US145100	Ceramic Capacitor-F (chip)	0.1000 25V Z	チ ッ プ セ ラ (F)		01
C011	US063150	Ceramic Capacitor-B (chip)	1500P 50V K	チ ッ プ セ ラ (B)		01
C012	US063150	Ceramic Capacitor-B (chip)	1500P 50V K	チ ッ プ セ ラ (B)		01
C013	US145100	Ceramic Capacitor-F (chip)	0.1000 25V Z	チ ッ プ セ ラ (F)		01
-015	US145100	Ceramic Capacitor-F (chip)	0.1000 25V Z	チ ッ プ セ ラ (F)		01
C016	UF037100	Electrolytic Cap. (chip)	10 16V	チ ッ プ ケ ミ コ ン		01
C017	UF037100	Electrolytic Cap. (chip)	10 16V	チ ッ プ ケ ミ コ ン		01
C018	US062470	Ceramic Capacitor-SL(chip)	470P 50V J	チ ッ プ セ ラ (S L)		01
C019	US145100	Ceramic Capacitor-F (chip)	0.1000 25V Z	チ ッ プ セ ラ (F)		01
C020	US145100	Ceramic Capacitor-F (chip)	0.1000 25V Z	チ ッ プ セ ラ (F)		01
C021	UF017470	Electrolytic Cap. (chip)	47 6.3V	チ ッ プ ケ ミ コ ン		01
C022	US145100	Ceramic Capacitor-F (chip)	0.1000 25V Z	チ ッ プ セ ラ (F)		01
C023	US061150	Ceramic Capacitor-CH(chip)	15P 50V J	チ ッ プ セ ラ (C H)		01
C024	US061150	Ceramic Capacitor-CH(chip)	15P 50V J	チ ッ プ セ ラ (C H)		01
C025	US145100	Ceramic Capacitor-F (chip)	0.1000 25V Z	チ ッ プ セ ラ (F)		01
-040	US145100	Ceramic Capacitor-F (chip)	0.1000 25V Z	チ ッ プ セ ラ (F)		01
C041	US063150	Ceramic Capacitor-B (chip)	1500P 50V K	チ ッ プ セ ラ (B)		01
C042	US145100	Ceramic Capacitor-F (chip)	0.1000 25V Z	チ ッ プ セ ラ (F)		01
C051	US145100	Ceramic Capacitor-F (chip)	0.1000 25V Z	チ ッ プ セ ラ (F)		01
-058	US145100	Ceramic Capacitor-F (chip)	0.1000 25V Z	チ ッ プ セ ラ (F)		01
C059	UF017470	Electrolytic Cap. (chip)	47 6.3V	チ ッ プ ケ ミ コ ン		01
C060	US135330	Ceramic Capacitor-F (chip)	0.3300 16V Z	チ ッ プ セ ラ (F)		01
C061	US145100	Ceramic Capacitor-F (chip)	0.1000 25V Z	チ ッ プ セ ラ (F)		01
C062	US145100	Ceramic Capacitor-F (chip)	0.1000 25V Z	チ ッ プ セ ラ (F)		01
C063	US135330	Ceramic Capacitor-F (chip)	0.3300 16V Z	チ ッ プ セ ラ (F)		01
C064	US145100	Ceramic Capacitor-F (chip)	0.1000 25V Z	チ ッ プ セ ラ (F)		01
-071	US145100	Ceramic Capacitor-F (chip)	0.1000 25V Z	チ ッ プ セ ラ (F)		01
C072	US062560	Ceramic Capacitor-SL(chip)	560P 50V J	チ ッ プ セ ラ (S L)		01
C073	US145100	Ceramic Capacitor-F (chip)	0.1000 25V Z	チ ッ プ セ ラ (F)		01
-086	US145100	Ceramic Capacitor-F (chip)	0.1000 25V Z	チ ッ プ セ ラ (F)		01
C087	UF118330	Electrolytic Cap. (chip)	330 6.3V UUR0J3	チ ッ プ ケ ミ コ ン		01
C088	US044220	Ceramic Capacitor-B (chip)	0.0220 25V K	チ ッ プ セ ラ (B)		01
C089	UF128470	Electrolytic Cap. (chip)	470 10V UUR1A4	チ ッ プ ケ ミ コ ン		02
C090	VR327300	Mylar Capacitor (chip)	0.0820 16V J	チ ッ プ マ イ ラ ー		01
C091	US044220	Ceramic Capacitor-B (chip)	0.0220 25V K	チ ッ プ セ ラ (B)		01
C092	US044220	Ceramic Capacitor-B (chip)	0.0220 25V K	チ ッ プ セ ラ (B)		01
C093	US145100	Ceramic Capacitor-F (chip)	0.1000 25V Z	チ ッ プ セ ラ (F)		01
C094	V6200900	Capacitor	1.0000 16V M	チ ッ プ フィ ル ム コ ン		01
C095	US145100	Ceramic Capacitor-F (chip)	0.1000 25V Z	チ ッ プ セ ラ (F)		01
-098	US145100	Ceramic Capacitor-F (chip)	0.1000 25V Z	チ ッ プ セ ラ (F)		01
C100	US145100	Ceramic Capacitor-F (chip)	0.1000 25V Z	チ ッ プ セ ラ (F)		01
C101	UR877470	Electrolytic Cap.	47.00 63.0V	ケ ミ コ ン		01
* C102	WB830700	Electrolytic Cap.	100.00 63.0V	ケ ミ コ ン		01
* C103	WB830700	Electrolytic Cap.	100.00 63.0V	ケ ミ コ ン		01
C104	V8591600	Mica Capacitor (chip)	470P 100V F	チ ッ プ マ イ カ コ ン		04
C105	V8591600	Mica Capacitor (chip)	470P 100V F	チ ッ プ マ イ カ コ ン		04
C106	UR819100	Electrolytic Cap.	1000 6.3V	ケ ミ コ ン		01
C107	US064100	Ceramic Capacitor-B (chip)	0.0100 50V K	チ ッ プ セ ラ (B)		01
C108	US064100	Ceramic Capacitor-B (chip)	0.0100 50V K	チ ッ プ セ ラ (B)		01
C109	V8221400	Electrolytic Cap.	120UF 20V	O S コ ン		04
C110	V8221400	Electrolytic Cap.	120UF 20V	O S コ ン		04

*: New Parts

RANK: Japan only

REF NO.	PART NO.	DESCRIPTION	部 品 名	REMARKS	QTY	RANK
C111	V5619000	Electrolytic Cap.	100.00 25.0V	ケミコン TONEREX		
C112	US145100	Ceramic Capacitor-F (chip)	0.1000 25V Z	チップセラ (F)		01
C113	US145100	Ceramic Capacitor-F (chip)	0.1000 25V Z	チップセラ (F)		01
C114	US064100	Ceramic Capacitor-B (chip)	0.0100 50V K	チップセラ (B)		01
C116	US062100	Ceramic Capacitor-SL(chip)	100P 50V J	チップセラ (S L)		01
C117	US062100	Ceramic Capacitor-SL(chip)	100P 50V J	チップセラ (S L)		01
C118	US061150	Ceramic Capacitor-CH(chip)	15P 50V J	チップセラ (C H)		01
C119	US064100	Ceramic Capacitor-B (chip)	0.0100 50V K	チップセラ (B)		01
C120	US064100	Ceramic Capacitor-B (chip)	0.0100 50V K	チップセラ (B)		01
C121	V5619000	Electrolytic Cap.	100.00 25.0V	ケミコン TONEREX		
C122	US062330	Ceramic Capacitor-SL(chip)	330P 50V J	チップセラ (S L)		01
C123	US062220	Ceramic Capacitor-SL(chip)	220P 50V J	チップセラ (S L)		01
C124	US064100	Ceramic Capacitor-B (chip)	0.0100 50V K	チップセラ (B)		01
C125	US064100	Ceramic Capacitor-B (chip)	0.0100 50V K	チップセラ (B)		01
C126	VR329100	Mylar Capacitor (chip)	0.0010 50V J	チップマイラー		01
C127	US145100	Ceramic Capacitor-F (chip)	0.1000 25V Z	チップセラ (F)		01
C128	US145100	Ceramic Capacitor-F (chip)	0.1000 25V Z	チップセラ (F)		01
* C129	WC617000	Electrolytic Cap.	22 20V 20SP22	オ ス コ ン		03
C130	US145100	Ceramic Capacitor-F (chip)	0.1000 25V Z	チップセラ (F)		01
* C131	WC617000	Electrolytic Cap.	22 20V 20SP22	オ ス コ ン		03
C132	US135220	Ceramic Capacitor-F (chip)	0.2200 16V Z	チップセラ (F)		01
C133	US145100	Ceramic Capacitor-F (chip)	0.1000 25V Z	チップセラ (F)		01
* C134	WC617000	Electrolytic Cap.	22 20V 20SP22	オ ス コ ン		03
C135	US145100	Ceramic Capacitor-F (chip)	0.1000 25V Z	チップセラ (F)		01
C136	V8221400	Electrolytic Cap.	120UF 20V	オ ス コ ン		04
C201	UR877470	Electrolytic Cap.	47.00 63.0V	ケ ミ コ ン		01
* C202	WB830700	Electrolytic Cap.	100.00 63.0V	ケ ミ コ ン		01
* C203	WB830700	Electrolytic Cap.	100.00 63.0V	ケ ミ コ ン		01
C204	V8591600	Mica Capacitor (chip)	470P 100V F	チップマイカコン		04
C205	V8591600	Mica Capacitor (chip)	470P 100V F	チップマイカコン		04
C206	UR819100	Electrolytic Cap.	1000 6.3V	ケ ミ コ ン		01
C207	US064100	Ceramic Capacitor-B (chip)	0.0100 50V K	チップセラ (B)		01
C208	US064100	Ceramic Capacitor-B (chip)	0.0100 50V K	チップセラ (B)		01
C209	V8221400	Electrolytic Cap.	120UF 20V	オ ス コ ン		04
C210	V8221400	Electrolytic Cap.	120UF 20V	オ ス コ ン		04
C211	V5619000	Electrolytic Cap.	100.00 25.0V	ケミコン TONEREX		
C212	US145100	Ceramic Capacitor-F (chip)	0.1000 25V Z	チップセラ (F)		01
C213	US145100	Ceramic Capacitor-F (chip)	0.1000 25V Z	チップセラ (F)		01
C214	US064100	Ceramic Capacitor-B (chip)	0.0100 50V K	チップセラ (B)		01
C216	US062100	Ceramic Capacitor-SL(chip)	100P 50V J	チップセラ (S L)		01
C217	US062100	Ceramic Capacitor-SL(chip)	100P 50V J	チップセラ (S L)		01
C218	US061150	Ceramic Capacitor-CH(chip)	15P 50V J	チップセラ (C H)		01
C219	US064100	Ceramic Capacitor-B (chip)	0.0100 50V K	チップセラ (B)		01
C220	US064100	Ceramic Capacitor-B (chip)	0.0100 50V K	チップセラ (B)		01
C221	V5619000	Electrolytic Cap.	100.00 25.0V	ケミコン TONEREX		
C222	US062330	Ceramic Capacitor-SL(chip)	330P 50V J	チップセラ (S L)		01
C223	US062220	Ceramic Capacitor-SL(chip)	220P 50V J	チップセラ (S L)		01
C224	US064100	Ceramic Capacitor-B (chip)	0.0100 50V K	チップセラ (B)		01
C225	US064100	Ceramic Capacitor-B (chip)	0.0100 50V K	チップセラ (B)		01
C226	VR329100	Mylar Capacitor (chip)	0.0010 50V J	チップマイラー		01
C227	UU147220	Electrolytic Cap.	22.00 25.0V	ケ ミ コ ン F W		01
C301	UR877470	Electrolytic Cap.	47.00 63.0V	ケ ミ コ ン		01
* C302	WB830700	Electrolytic Cap.	100.00 63.0V	ケ ミ コ ン		01
* C303	WB830700	Electrolytic Cap.	100.00 63.0V	ケ ミ コ ン		01
C304	V8591600	Mica Capacitor (chip)	470P 100V F	チップマイカコン		04
C305	V8591600	Mica Capacitor (chip)	470P 100V F	チップマイカコン		04
C306	UR819100	Electrolytic Cap.	1000 6.3V	ケ ミ コ ン		01
C307	US064100	Ceramic Capacitor-B (chip)	0.0100 50V K	チップセラ (B)		01
C308	US064100	Ceramic Capacitor-B (chip)	0.0100 50V K	チップセラ (B)		01
C309	V8221400	Electrolytic Cap.	120UF 20V	オ ス コ ン		04
C310	V8221400	Electrolytic Cap.	120UF 20V	オ ス コ ン		04
C311	V5619000	Electrolytic Cap.	100.00 25.0V	ケミコン TONEREX		
C312	US145100	Ceramic Capacitor-F (chip)	0.1000 25V Z	チップセラ (F)		01
C313	US145100	Ceramic Capacitor-F (chip)	0.1000 25V Z	チップセラ (F)		01
C314	US064100	Ceramic Capacitor-B (chip)	0.0100 50V K	チップセラ (B)		01
C316	US062100	Ceramic Capacitor-SL(chip)	100P 50V J	チップセラ (S L)		01
C317	US062100	Ceramic Capacitor-SL(chip)	100P 50V J	チップセラ (S L)		01
C318	US061150	Ceramic Capacitor-CH(chip)	15P 50V J	チップセラ (C H)		01
C319	US064100	Ceramic Capacitor-B (chip)	0.0100 50V K	チップセラ (B)		01
C320	US064100	Ceramic Capacitor-B (chip)	0.0100 50V K	チップセラ (B)		01

*: New Parts

RANK: Japan only

REF NO.	PART NO.	DESCRIPTION		部 品 名	REMARKS	QTY	RANK
C321	V5619000	Electrolytic Cap.	100.00 25.0V	ケミコン TONEREX			
C322	US062330	Ceramic Capacitor-SL(chip)	330P 50V J	チップセラ (S L)			01
C323	US062220	Ceramic Capacitor-SL(chip)	220P 50V J	チップセラ (S L)			01
C324	US064100	Ceramic Capacitor-B (chip)	0.0100 50V K	チップセラ (B)			01
C325	US064100	Ceramic Capacitor-B (chip)	0.0100 50V K	チップセラ (B)			01
C326	VR329100	Mylar Capacitor (chip)	0.0010 50V J	チップマイラー			01
C327	US145100	Ceramic Capacitor-F (chip)	0.1000 25V Z	チップセラ (F)			01
C328	US145100	Ceramic Capacitor-F (chip)	0.1000 25V Z	チップセラ (F)			01
* C329	WC617000	Electrolytic Cap.	22 20V 20SP22	OSコン			03
C330	US145100	Ceramic Capacitor-F (chip)	0.1000 25V Z	チップセラ (F)			01
* C331	WC617000	Electrolytic Cap.	22 20V 20SP22	OSコン			03
C332	US135220	Ceramic Capacitor-F (chip)	0.2200 16V Z	チップセラ (F)			01
C333	US145100	Ceramic Capacitor-F (chip)	0.1000 25V Z	チップセラ (F)			01
* C334	WC617000	Electrolytic Cap.	22 20V 20SP22	OSコン			03
C335	US145100	Ceramic Capacitor-F (chip)	0.1000 25V Z	チップセラ (F)			01
C336	V8221400	Electrolytic Cap.	120UF 20V	OSコン			04
C401	UR877470	Electrolytic Cap.	47.00 63.0V	ケミコン			01
* C402	WB830700	Electrolytic Cap.	100.00 63.0V	ケミコン			01
* C403	WB830700	Electrolytic Cap.	100.00 63.0V	ケミコン			01
C404	V8591600	Mica Capacitor (chip)	470P 100V F	チップマイカコン			04
C405	V8591600	Mica Capacitor (chip)	470P 100V F	チップマイカコン			04
C406	UR819100	Electrolytic Cap.	1000 6.3V	ケミコン			01
C407	US064100	Ceramic Capacitor-B (chip)	0.0100 50V K	チップセラ (B)			01
C408	US064100	Ceramic Capacitor-B (chip)	0.0100 50V K	チップセラ (B)			01
C409	V8221400	Electrolytic Cap.	120UF 20V	OSコン			04
C410	V8221400	Electrolytic Cap.	120UF 20V	OSコン			04
C411	V5619000	Electrolytic Cap.	100.00 25.0V	ケミコン TONEREX			
C412	US145100	Ceramic Capacitor-F (chip)	0.1000 25V Z	チップセラ (F)			01
C413	US145100	Ceramic Capacitor-F (chip)	0.1000 25V Z	チップセラ (F)			01
C414	US064100	Ceramic Capacitor-B (chip)	0.0100 50V K	チップセラ (B)			01
C416	US062100	Ceramic Capacitor-SL(chip)	100P 50V J	チップセラ (S L)			01
C417	US062100	Ceramic Capacitor-SL(chip)	100P 50V J	チップセラ (S L)			01
C418	US061150	Ceramic Capacitor-CH(chip)	15P 50V J	チップセラ (C H)			01
C419	US064100	Ceramic Capacitor-B (chip)	0.0100 50V K	チップセラ (B)			01
C420	US064100	Ceramic Capacitor-B (chip)	0.0100 50V K	チップセラ (B)			01
C421	V5619000	Electrolytic Cap.	100.00 25.0V	ケミコン TONEREX			
C422	US062330	Ceramic Capacitor-SL(chip)	330P 50V J	チップセラ (S L)			01
C423	US062220	Ceramic Capacitor-SL(chip)	220P 50V J	チップセラ (S L)			01
C424	US064100	Ceramic Capacitor-B (chip)	0.0100 50V K	チップセラ (B)			01
C425	US064100	Ceramic Capacitor-B (chip)	0.0100 50V K	チップセラ (B)			01
C426	VR329100	Mylar Capacitor (chip)	0.0010 50V J	チップマイラー			01
C427	UU147220	Electrolytic Cap.	22.00 25.0V	ケミコン F W			01
* C501	UR877470	Electrolytic Cap.	47.00 63.0V	ケミコン			01
* C502	WB830700	Electrolytic Cap.	100.00 63.0V	ケミコン			01
* C503	WB830700	Electrolytic Cap.	100.00 63.0V	ケミコン			01
C504	V8591600	Mica Capacitor (chip)	470P 100V F	チップマイカコン			04
C505	V8591600	Mica Capacitor (chip)	470P 100V F	チップマイカコン			04
C506	UR819100	Electrolytic Cap.	1000 6.3V	ケミコン			01
C507	US064100	Ceramic Capacitor-B (chip)	0.0100 50V K	チップセラ (B)			01
C508	US064100	Ceramic Capacitor-B (chip)	0.0100 50V K	チップセラ (B)			01
C509	V8221400	Electrolytic Cap.	120UF 20V	OSコン			04
C510	V8221400	Electrolytic Cap.	120UF 20V	OSコン			04
C511	V5619000	Electrolytic Cap.	100.00 25.0V	ケミコン TONEREX			
C512	US145100	Ceramic Capacitor-F (chip)	0.1000 25V Z	チップセラ (F)			01
C513	US145100	Ceramic Capacitor-F (chip)	0.1000 25V Z	チップセラ (F)			01
C514	US064100	Ceramic Capacitor-B (chip)	0.0100 50V K	チップセラ (B)			01
C516	US062100	Ceramic Capacitor-SL(chip)	100P 50V J	チップセラ (S L)			01
C517	US062100	Ceramic Capacitor-SL(chip)	100P 50V J	チップセラ (S L)			01
C518	US061150	Ceramic Capacitor-CH(chip)	15P 50V J	チップセラ (C H)			01
C519	US064100	Ceramic Capacitor-B (chip)	0.0100 50V K	チップセラ (B)			01
C520	US064100	Ceramic Capacitor-B (chip)	0.0100 50V K	チップセラ (B)			01
C521	V5619000	Electrolytic Cap.	100.00 25.0V	ケミコン TONEREX			
C522	US062330	Ceramic Capacitor-SL(chip)	330P 50V J	チップセラ (S L)			01
C523	US062220	Ceramic Capacitor-SL(chip)	220P 50V J	チップセラ (S L)			01
C524	US064100	Ceramic Capacitor-B (chip)	0.0100 50V K	チップセラ (B)			01
C525	US064100	Ceramic Capacitor-B (chip)	0.0100 50V K	チップセラ (B)			01
C526	VR329100	Mylar Capacitor (chip)	0.0010 50V J	チップマイラー			01
C527	US145100	Ceramic Capacitor-F (chip)	0.1000 25V Z	チップセラ (F)			01
C528	US145100	Ceramic Capacitor-F (chip)	0.1000 25V Z	チップセラ (F)			01
* C529	WC617000	Electrolytic Cap.	22 20V 20SP22	OSコン			03

*: New Parts

RANK: Japan only

REF NO.	PART NO.	DESCRIPTION	部 品 名	REMARKS	QTY	RANK
* C530	US145100	Ceramic Capacitor-F (chip)	0.1000 25V Z	チップセラ (F)		01
C531	WC617000	Electrolytic Cap.	22 20V 20SP22	オ ス コ ン		03
C532	US135220	Ceramic Capacitor-F (chip)	0.2200 16V Z	チップセラ (F)		01
C533	US145100	Ceramic Capacitor-F (chip)	0.1000 25V Z	チップセラ (F)		01
* C534	WC617000	Electrolytic Cap.	22 20V 20SP22	オ ス コ ン		03
C535	US145100	Ceramic Capacitor-F (chip)	0.1000 25V Z	チップセラ (F)		01
C536	V8221400	Electrolytic Cap.	120UF 20V	オ ス コ ン		04
C601	UR877470	Electrolytic Cap.	47.00 63.0V	ケ ミ コ ン		01
* C602	WB830700	Electrolytic Cap.	100.00 63.0V	ケ ミ コ ン		01
* C603	WB830700	Electrolytic Cap.	100.00 63.0V	ケ ミ コ ン		01
C604	V8591600	Mica Capacitor (chip)	470P 100V F	チップマイカコン		04
C605	V8591600	Mica Capacitor (chip)	470P 100V F	チップマイカコン		04
C606	UR819100	Electrolytic Cap.	1000 6.3V	ケ ミ コ ン		01
C607	US064100	Ceramic Capacitor-B (chip)	0.0100 50V K	チップセラ (B)		01
C608	US064100	Ceramic Capacitor-B (chip)	0.0100 50V K	チップセラ (B)		01
C609	V8221400	Electrolytic Cap.	120UF 20V	オ ス コ ン		04
C610	V8221400	Electrolytic Cap.	120UF 20V	オ ス コ ン		04
C611	V5619000	Electrolytic Cap.	100.00 25.0V	ケミコン TONEREX		
C612	US145100	Ceramic Capacitor-F (chip)	0.1000 25V Z	チップセラ (F)		01
C613	US145100	Ceramic Capacitor-F (chip)	0.1000 25V Z	チップセラ (F)		01
C614	US064100	Ceramic Capacitor-B (chip)	0.0100 50V K	チップセラ (B)		01
C616	US062100	Ceramic Capacitor-SL(chip)	100P 50V J	チップセラ (S L)		01
C617	US062100	Ceramic Capacitor-SL(chip)	100P 50V J	チップセラ (S L)		01
C618	US061150	Ceramic Capacitor-CH(chip)	15P 50V J	チップセラ (C H)		01
C619	US064100	Ceramic Capacitor-B (chip)	0.0100 50V K	チップセラ (B)		01
C620	US064100	Ceramic Capacitor-B (chip)	0.0100 50V K	チップセラ (B)		01
C621	V5619000	Electrolytic Cap.	100.00 25.0V	ケミコン TONEREX		
C622	US062330	Ceramic Capacitor-SL(chip)	330P 50V J	チップセラ (S L)		01
C623	US062220	Ceramic Capacitor-SL(chip)	220P 50V J	チップセラ (S L)		01
C624	US064100	Ceramic Capacitor-B (chip)	0.0100 50V K	チップセラ (B)		01
C625	US064100	Ceramic Capacitor-B (chip)	0.0100 50V K	チップセラ (B)		01
C626	VR329100	Mylar Capacitor (chip)	0.0010 50V J	チップマイラー		01
C627	UU147220	Electrolytic Cap.	22.00 25.0V	ケミコン F W		01
C701	UR877470	Electrolytic Cap.	47.00 63.0V	ケ ミ コ ン		01
* C702	WB830700	Electrolytic Cap.	100.00 63.0V	ケ ミ コ ン		01
* C703	WB830700	Electrolytic Cap.	100.00 63.0V	ケ ミ コ ン		01
C704	V8591600	Mica Capacitor (chip)	470P 100V F	チップマイカコン		04
C705	V8591600	Mica Capacitor (chip)	470P 100V F	チップマイカコン		04
C706	UR819100	Electrolytic Cap.	1000 6.3V	ケ ミ コ ン		01
C707	US064100	Ceramic Capacitor-B (chip)	0.0100 50V K	チップセラ (B)		01
C708	US064100	Ceramic Capacitor-B (chip)	0.0100 50V K	チップセラ (B)		01
C709	V8221400	Electrolytic Cap.	120UF 20V	オ ス コ ン		04
C710	V8221400	Electrolytic Cap.	120UF 20V	オ ス コ ン		04
C711	V5619000	Electrolytic Cap.	100.00 25.0V	ケミコン TONEREX		
C712	US145100	Ceramic Capacitor-F (chip)	0.1000 25V Z	チップセラ (F)		01
C713	US145100	Ceramic Capacitor-F (chip)	0.1000 25V Z	チップセラ (F)		01
C714	US064100	Ceramic Capacitor-B (chip)	0.0100 50V K	チップセラ (B)		01
C716	US062100	Ceramic Capacitor-SL(chip)	100P 50V J	チップセラ (S L)		01
C717	US062100	Ceramic Capacitor-SL(chip)	100P 50V J	チップセラ (S L)		01
C718	US061150	Ceramic Capacitor-CH(chip)	15P 50V J	チップセラ (C H)		01
C719	US064100	Ceramic Capacitor-B (chip)	0.0100 50V K	チップセラ (B)		01
C720	US064100	Ceramic Capacitor-B (chip)	0.0100 50V K	チップセラ (B)		01
C721	V5619000	Electrolytic Cap.	100.00 25.0V	ケミコン TONEREX		
C722	US062330	Ceramic Capacitor-SL(chip)	330P 50V J	チップセラ (S L)		01
C723	US062220	Ceramic Capacitor-SL(chip)	220P 50V J	チップセラ (S L)		01
C724	US064100	Ceramic Capacitor-B (chip)	0.0100 50V K	チップセラ (B)		01
C725	US064100	Ceramic Capacitor-B (chip)	0.0100 50V K	チップセラ (B)		01
C726	VR329100	Mylar Capacitor (chip)	0.0010 50V J	チップマイラー		01
C727	US145100	Ceramic Capacitor-F (chip)	0.1000 25V Z	チップセラ (F)		01
C728	US145100	Ceramic Capacitor-F (chip)	0.1000 25V Z	チップセラ (F)		01
* C729	WC617000	Electrolytic Cap.	22 20V 20SP22	オ ス コ ン		03
C730	US145100	Ceramic Capacitor-F (chip)	0.1000 25V Z	チップセラ (F)		01
* C731	WC617000	Electrolytic Cap.	22 20V 20SP22	オ ス コ ン		03
C732	US135220	Ceramic Capacitor-F (chip)	0.2200 16V Z	チップセラ (F)		01
C733	US145100	Ceramic Capacitor-F (chip)	0.1000 25V Z	チップセラ (F)		01
* C734	WC617000	Electrolytic Cap.	22 20V 20SP22	オ ス コ ン		03
C735	US145100	Ceramic Capacitor-F (chip)	0.1000 25V Z	チップセラ (F)		01
C736	V8221400	Electrolytic Cap.	120UF 20V	オ ス コ ン		04
C801	UR877470	Electrolytic Cap.	47.00 63.0V	ケ ミ コ ン		01
* C802	WB830700	Electrolytic Cap.	100.00 63.0V	ケ ミ コ ン		01

*: New Parts

RANK: Japan only

REF NO.	PART NO.	DESCRIPTION	部 品 名	REMARKS	QTY	RANK
* C803	WB830700	Electrolytic Cap.	100.00 63.0V	ケ ミ コ ン		01
C804	V8591600	Mica Capacitor (chip)	470P 100V F	チ ッ プ マ イ カ コ ン		04
C805	V8591600	Mica Capacitor (chip)	470P 100V F	チ ッ プ マ イ カ コ ン		04
C806	UR819100	Electrolytic Cap.	1000 6.3V	ケ ミ コ ン		01
C807	US064100	Ceramic Capacitor-B (chip)	0.0100 50V K	チ ッ プ セ ラ (B)		01
C808	US064100	Ceramic Capacitor-B (chip)	0.0100 50V K	チ ッ プ セ ラ (B)		01
C809	V8221400	Electrolytic Cap.	120UF 20V	オ ス コ ン		04
C810	V8221400	Electrolytic Cap.	120UF 20V	オ ス コ ン		04
C811	V5619000	Electrolytic Cap.	100.00 25.0V	ケミコン TONEREX		
C812	US145100	Ceramic Capacitor-F (chip)	0.1000 25V Z	チ ッ プ セ ラ (F)		01
C813	US145100	Ceramic Capacitor-F (chip)	0.1000 25V Z	チ ッ プ セ ラ (F)		01
C814	US064100	Ceramic Capacitor-B (chip)	0.0100 50V K	チ ッ プ セ ラ (B)		01
C816	US062100	Ceramic Capacitor-SL(chip)	100P 50V J	チ ッ プ セ ラ (S L)		01
C817	US062100	Ceramic Capacitor-SL(chip)	100P 50V J	チ ッ プ セ ラ (S L)		01
C818	US061150	Ceramic Capacitor-CH(chip)	15P 50V J	チ ッ プ セ ラ (C H)		01
C819	US064100	Ceramic Capacitor-B (chip)	0.0100 50V K	チ ッ プ セ ラ (B)		01
C820	US064100	Ceramic Capacitor-B (chip)	0.0100 50V K	チ ッ プ セ ラ (B)		01
C821	V5619000	Electrolytic Cap.	100.00 25.0V	ケミコン TONEREX		
C822	US062330	Ceramic Capacitor-SL(chip)	330P 50V J	チ ッ プ セ ラ (S L)		01
C823	US062220	Ceramic Capacitor-SL(chip)	220P 50V J	チ ッ プ セ ラ (S L)		01
C824	US064100	Ceramic Capacitor-B (chip)	0.0100 50V K	チ ッ プ セ ラ (B)		01
C825	US064100	Ceramic Capacitor-B (chip)	0.0100 50V K	チ ッ プ セ ラ (B)		01
C826	VR329100	Mylar Capacitor (chip)	0.0010 50V J	チ ッ プ マ イ ラ ー		01
C827	UU147220	Electrolytic Cap.	22.00 25.0V	ケミコン F W		01
C900	US145100	Ceramic Capacitor-F (chip)	0.1000 25V Z	チ ッ プ セ ラ (F)		01
-932	US145100	Ceramic Capacitor-F (chip)	0.1000 25V Z	チ ッ プ セ ラ (F)		01
C933	UF066100	Electrolytic Cap. (chip)	1 50V	チ ッ プ ケ ミ コ ン		01
C934	US145100	Ceramic Capacitor-F (chip)	0.1000 25V Z	チ ッ プ セ ラ (F)		01
-937	US145100	Ceramic Capacitor-F (chip)	0.1000 25V Z	チ ッ プ セ ラ (F)		01
C938	UF066100	Electrolytic Cap. (chip)	1 50V	チ ッ プ ケ ミ コ ン		01
C939	US145100	Ceramic Capacitor-F (chip)	0.1000 25V Z	チ ッ プ セ ラ (F)		01
C940	VS026900	Mylar Capacitor (chip)	0.0039 16V G	チ ッ プ マ イ ラ ー		01
C941	US145100	Ceramic Capacitor-F (chip)	0.1000 25V Z	チ ッ プ セ ラ (F)		01
C942	V9074200	Mylar Capacitor (chip)	0.15 50V J	チ ッ プ マ イ ラ ー		01
C943	US061330	Ceramic Capacitor-CH(chip)	33P 50V J	チ ッ プ セ ラ (C H)		01
C944	US145100	Ceramic Capacitor-F (chip)	0.1000 25V Z	チ ッ プ セ ラ (F)		01
C945	US062100	Ceramic Capacitor-SL(chip)	100P 50V J	チ ッ プ セ ラ (S L)		01
C946	US064100	Ceramic Capacitor-B (chip)	0.0100 50V K	チ ッ プ セ ラ (B)		01
C947	US145100	Ceramic Capacitor-F (chip)	0.1000 25V Z	チ ッ プ セ ラ (F)		01
-950	US145100	Ceramic Capacitor-F (chip)	0.1000 25V Z	チ ッ プ セ ラ (F)		01
C952	US145100	Ceramic Capacitor-F (chip)	0.1000 25V Z	チ ッ プ セ ラ (F)		01
-957	US145100	Ceramic Capacitor-F (chip)	0.1000 25V Z	チ ッ プ セ ラ (F)		01
C962	US145100	Ceramic Capacitor-F (chip)	0.1000 25V Z	チ ッ プ セ ラ (F)		01
-974	US145100	Ceramic Capacitor-F (chip)	0.1000 25V Z	チ ッ プ セ ラ (F)		01
C980	US145100	Ceramic Capacitor-F (chip)	0.1000 25V Z	チ ッ プ セ ラ (F)		01
C981	WA163300	Electrolytic Cap.	220.00 35.0V	ケ ミ コ ン H D		01
C982	WA163300	Electrolytic Cap.	220.00 35.0V	ケ ミ コ ン H D		01
C983	V7182500	Ceramic Capacitor-F (chip)	0.1000 50V Z	チ ッ プ セ ラ (F)		01
C984	V7182500	Ceramic Capacitor-F (chip)	0.1000 50V Z	チ ッ プ セ ラ (F)		01
C985	WA163300	Electrolytic Cap.	220.00 35.0V	ケ ミ コ ン H D		01
C986	UU168100	Electrolytic Cap.	100.00 50.0V	ケ ミ コ ン F W		01
C987	UU168100	Electrolytic Cap.	100.00 50.0V	ケ ミ コ ン F W		01
C988	V8221400	Electrolytic Cap.	120UF 20V	オ ス コ ン		04
C989	UA355100	Mylar Capacitor	0.1000 50V J	マ イ ラ ー コ ン		01
-991	UA355100	Mylar Capacitor	0.1000 50V J	マ イ ラ ー コ ン		01
C992	UR838100	Electrolytic Cap.	100.00 16.0V	ケ ミ コ ン		01
-994	UR838100	Electrolytic Cap.	100.00 16.0V	ケ ミ コ ン		01
C995	WA163300	Electrolytic Cap.	220.00 35.0V	ケ ミ コ ン H D		01
C996	V7182500	Ceramic Capacitor-F (chip)	0.1000 50V Z	チ ッ プ セ ラ (F)		01
-999	V7182500	Ceramic Capacitor-F (chip)	0.1000 50V Z	チ ッ プ セ ラ (F)		01
CN001	VK024800	Wire Trap	52147 4P TE	ワ イ ヤ ー ト ラ ッ プ		01
CN921	VR147400	D-sub Connector	JBY 25P SE	D サ ブ コ ネ ク タ ー	DIGITAL OUT B(AES/EBU)	05
CN922	VN773600	Connector, FFC	52045 28P TE	F F C コ ネ ク タ ー		02
CN961	VQ048100	Connector, FFC	52045 32P TE	F F C コ ネ ク タ ー		01
CN981	VK025300	Wire Trap	52147 9P TE	ワ イ ヤ ー ト ラ ッ プ		01
CN982	VK025200	Wire Trap	52147 8P TE	ワ イ ヤ ー ト ラ ッ プ		01
D001	VT332900	Diode	1SS355 TE-17	ダ イ オ ー ド		01
D051	VT332900	Diode	1SS355 TE-17	ダ イ オ ー ド		01
D101	VS201100	Diode	D1F60	ダ イ オ ー ド		01
-103	VS201100	Diode	D1F60	ダ イ オ ー ド		01

*: New Parts

RANK: Japan only

REF NO.	PART NO.	DESCRIPTION	部 品 名	REMARKS	QTY	RANK
D104	V9634300	Diode	RB551V-30 TE-17	ダイオード		01
-107	V9634300	Diode	RB551V-30 TE-17	ダイオード		01
D201	VS201100	Diode	D1F60	ダイオード		01
-203	VS201100	Diode	D1F60	ダイオード		01
D204	V9634300	Diode	RB551V-30 TE-17	ダイオード		01
-207	V9634300	Diode	RB551V-30 TE-17	ダイオード		01
D301	VS201100	Diode	D1F60	ダイオード		01
-303	VS201100	Diode	D1F60	ダイオード		01
D304	V9634300	Diode	RB551V-30 TE-17	ダイオード		01
-307	V9634300	Diode	RB551V-30 TE-17	ダイオード		01
D401	VS201100	Diode	D1F60	ダイオード		01
-403	VS201100	Diode	D1F60	ダイオード		01
D404	V9634300	Diode	RB551V-30 TE-17	ダイオード		01
-407	V9634300	Diode	RB551V-30 TE-17	ダイオード		01
D501	VS201100	Diode	D1F60	ダイオード		01
-503	VS201100	Diode	D1F60	ダイオード		01
D504	V9634300	Diode	RB551V-30 TE-17	ダイオード		01
-507	V9634300	Diode	RB551V-30 TE-17	ダイオード		01
D601	VS201100	Diode	D1F60	ダイオード		01
-603	VS201100	Diode	D1F60	ダイオード		01
D604	V9634300	Diode	RB551V-30 TE-17	ダイオード		01
-607	V9634300	Diode	RB551V-30 TE-17	ダイオード		01
D701	VS201100	Diode	D1F60	ダイオード		01
-703	VS201100	Diode	D1F60	ダイオード		01
D704	V9634300	Diode	RB551V-30 TE-17	ダイオード		01
-707	V9634300	Diode	RB551V-30 TE-17	ダイオード		01
D801	VS201100	Diode	D1F60	ダイオード		01
-803	VS201100	Diode	D1F60	ダイオード		01
D804	V9634300	Diode	RB551V-30 TE-17	ダイオード		01
-807	V9634300	Diode	RB551V-30 TE-17	ダイオード		01
D981	V2330500	Diode	DE5S4M	ダイオード		03
D982	V5454500	Diode	1FWJ43N(TPA2)1A30V	ダイオード		01
-987	V5454500	Diode	1FWJ43N(TPA2)1A30V	ダイオード		01
DA921	VV556300	Diode Array	DAN217 0.3A X2	ダイオードアレイ		01
DA922	VV556300	Diode Array	DAN217 0.3A X2	ダイオードアレイ		01
EM001	WA093400	LC Filter	ZJSR5101-223TA	LCフィルター EMI		01
EM051	WA093400	LC Filter	ZJSR5101-223TA	LCフィルター EMI		01
EM052	WA093400	LC Filter	ZJSR5101-223TA	LCフィルター EMI		01
EM101	GE300610	Ferrite Bead	BL02RN1-R62T4	フェライトビーズ		01
EM102	GE300610	Ferrite Bead	BL02RN1-R62T4	フェライトビーズ		01
EM201	GE300610	Ferrite Bead	BL02RN1-R62T4	フェライトビーズ		01
EM202	GE300610	Ferrite Bead	BL02RN1-R62T4	フェライトビーズ		01
EM301	GE300610	Ferrite Bead	BL02RN1-R62T4	フェライトビーズ		01
EM302	GE300610	Ferrite Bead	BL02RN1-R62T4	フェライトビーズ		01
EM401	GE300610	Ferrite Bead	BL02RN1-R62T4	フェライトビーズ		01
EM402	GE300610	Ferrite Bead	BL02RN1-R62T4	フェライトビーズ		01
EM501	GE300610	Ferrite Bead	BL02RN1-R62T4	フェライトビーズ		01
EM502	GE300610	Ferrite Bead	BL02RN1-R62T4	フェライトビーズ		01
EM601	GE300610	Ferrite Bead	BL02RN1-R62T4	フェライトビーズ		01
EM602	GE300610	Ferrite Bead	BL02RN1-R62T4	フェライトビーズ		01
EM701	GE300610	Ferrite Bead	BL02RN1-R62T4	フェライトビーズ		01
EM702	GE300610	Ferrite Bead	BL02RN1-R62T4	フェライトビーズ		01
EM801	GE300610	Ferrite Bead	BL02RN1-R62T4	フェライトビーズ		01
EM802	GE300610	Ferrite Bead	BL02RN1-R62T4	フェライトビーズ		01
EM901	WA093400	LC Filter	ZJSR5101-223TA	LCフィルター EMI		01
EM921	VQ761400	EMI Filter (chip)	NFM3DCC101U1H3L	エミフィルチップ		01
EM922	VQ761400	EMI Filter (chip)	NFM3DCC101U1H3L	エミフィルチップ		01
EM981	WA093400	LC Filter	ZJSR5101-223TA	LCフィルター EMI		01
-988	WA093400	LC Filter	ZJSR5101-223TA	LCフィルター EMI		01
IC001	XU797A00	IC	TC74VHC245FT	I	C TRANSCEIVER	03
IC002	XY721A00	IC	HD6437042AF53	I	C CPU	10
IC003	XW234A00	IC	TC74VHC244FT	I	C BUFFER	03
IC004	X1686A00	IC	M62021FP	I	C SYSTEM RESET	04
IC005	XR532A00	IC	NJM2904V(TE1)	I	C OP AMP	02
IC006	IS007400	IC	HD74LV74AFPEL	I	C D-FF	01
IC007	XY102A00	IC	HD74LVU04AFPEL	I	C INVERTER	01
IC008	XU797A00	IC	TC74VHC245FT	I	C TRANSCEIVER	03
IC009	XU797A00	IC	TC74VHC245FT	I	C TRANSCEIVER	03
IC010	X3859A00	IC	BS62LV256SC-70	I	C SRAM 256K	05
IC010	XW433A00	IC	CY62256LL-70SNCT	I	C SRAM 256K	05

*: New Parts

RANK: Japan only

REF NO.	PART NO.	DESCRIPTION	部	品	名	REMARKS	QTY	RANK
IC011	X3859A00	IC				SRAM 256K		05
IC011	XW433A00	IC				SRAM 256K		05
IC012	IS003200	IC				OR		01
* IC013	X5387B00	IC				MBM29F800BA-70PFTN		
IC014	XU797A00	IC				TC74VHC245FT		03
IC015	XU797A00	IC				TC74VHC245FT		03
IC016	IS013910	IC				SN74LV139ANSR		01
IC017	X3097A00	IC				74LVX4245MTCX		03
IC018	X3097A00	IC				74LVX4245MTCX		03
IC019	XR680A00	IC				TC7SH08FU		
IC020	XS775A00	IC				TC7SH04FU		01
IC051	XT744A00	IC				TC74VHCT245AFT		07
IC052	X3775A00	IC				S1L51252F32S000		08
IC053	X2313A00	IC				TC74VHC00FT		01
IC054	XW422A00	IC				M51953AFP		01
IC055	XS775A00	IC				TC7SH04FU		01
IC056	XU797A00	IC				TC74VHC245FT		03
IC057	XT744A00	IC				TC74VHCT245AFT		07
IC058	XV064A00	IC				TLC2932IPWR		06
IC059	XG948E00	IC				YM3436DK		11
IC060	XS775A00	IC				TC7SH04FU		01
IC061	XV891A00	IC				TC74VHC08FT		01
* IC101	WC069900	Circuit Board				HIC-HA	H I C - H A シ ー ト	(WC06320)(X4876A0)
IC102	XY879A00	IC				TC74HC4053AF(EL)		03
IC103	X3505A00	IC				NJM2068MD-TE2		02
IC104	X3505A00	IC				NJM2068MD-TE2		02
* IC105	X4662A00	IC				AK5385AVS-E2		07
* IC201	WC069900	Circuit Board				HIC-HA	H I C - H A シ ー ト	(WC06320)(X4876A0)
IC202	XY879A00	IC				TC74HC4053AF(EL)		03
IC203	X3505A00	IC				NJM2068MD-TE2		02
IC204	X3505A00	IC				NJM2068MD-TE2		02
* IC301	WC069900	Circuit Board				HIC-HA	H I C - H A シ ー ト	(WC06320)(X4876A0)
IC302	XY879A00	IC				TC74HC4053AF(EL)		03
IC303	X3505A00	IC				NJM2068MD-TE2		02
IC304	X3505A00	IC				NJM2068MD-TE2		02
* IC305	X4662A00	IC				AK5385AVS-E2		07
* IC401	WC069900	Circuit Board				HIC-HA	H I C - H A シ ー ト	(WC06320)(X4876A0)
IC402	XY879A00	IC				TC74HC4053AF(EL)		03
IC403	X3505A00	IC				NJM2068MD-TE2		02
IC404	X3505A00	IC				NJM2068MD-TE2		02
* IC501	WC069900	Circuit Board				HIC-HA	H I C - H A シ ー ト	(WC06320)(X4876A0)
IC502	XY879A00	IC				TC74HC4053AF(EL)		03
IC503	X3505A00	IC				NJM2068MD-TE2		02
IC504	X3505A00	IC				NJM2068MD-TE2		02
* IC505	X4662A00	IC				AK5385AVS-E2		07
* IC601	WC069900	Circuit Board				HIC-HA	H I C - H A シ ー ト	(WC06320)(X4876A0)
IC602	XY879A00	IC				TC74HC4053AF(EL)		03
IC603	X3505A00	IC				NJM2068MD-TE2		02
IC604	X3505A00	IC				NJM2068MD-TE2		02
* IC701	WC069900	Circuit Board				HIC-HA	H I C - H A シ ー ト	(WC06320)(X4876A0)
IC702	XY879A00	IC				TC74HC4053AF(EL)		03
IC703	X3505A00	IC				NJM2068MD-TE2		02
IC704	X3505A00	IC				NJM2068MD-TE2		02
* IC705	X4662A00	IC				AK5385AVS-E2		07
* IC801	WC069900	Circuit Board				HIC-HA	H I C - H A シ ー ト	(WC06320)(X4876A0)
IC802	XY879A00	IC				TC74HC4053AF(EL)		03
IC803	X3505A00	IC				NJM2068MD-TE2		02
IC804	X3505A00	IC				NJM2068MD-TE2		02
IC901	XV891A00	IC				TC74VHC08FT		01
IC902	XZ693B00	IC				YSS919B-H		15
IC921	X3299A00	IC				MBCG61594-130		11
IC922	XS775A00	IC				TC7SH04FU		01
IC923	IS015700	IC				HD74LV157AFPEL		01
* IC924	X3813B00	IC				AK4101AVQ		08
IC925	XV930A00	IC				SN75124NSR		05
IC926	XU816A00	IC				SN75121NSR		05
IC927	XT744A00	IC				TC74VHCT245AFT		07
IC928	XT744A00	IC				TC74VHCT245AFT		07
IC929	X2089A00	IC				CS8415A-CS		06
* IC929	X2089B00	IC				CS8415A-CSR		

*: New Parts

RANK: Japan only

REF NO.	PART NO.	DESCRIPTION	部 品 名	REMARKS	QTY	RANK
IC930	IS015700	IC	HD74LV157AFPEL	I C		01
IC931	XS775A00	IC	TC7SH04FU	I C	MULTIPLEXER	01
IC962	IS013810	IC	SN74LV138ANSR	I C	INVERTER	01
IC963	IS027300	IC	HD74LV273AFPEL	I C	DECODER	02
-968	IS027300	IC	HD74LV273AFPEL	I C	D-FF	02
IC969	XS775A00	IC	TC7SH04FU	I C	D-FF	01
IC970	IS027300	IC	HD74LV273AFPEL	I C	INVERTER	02
IC971	IS027300	IC	HD74LV273AFPEL	I C	D-FF	02
IC981	X3508A00	IC	LM2676SX-5.0	I C	D-FF	08
IC982	X0638A00	IC	UPC2933AT-E1	I C	DC-DC CONVERTER	03
IC983	X0637A00	IC	UPC2925T-E1	I C	REGULATOR +3.3V	03
IC984	XN086A00	IC	NJM79L05UA TE1	I C	REGULATOR +2.5V	02
IC985	XR680A00	IC	TC7SH08FU	I C	REGULATOR -5V	02
JK101	V9234300	Cannon Connector	JACK NC3FBH1	キ ャ ノ ン コ ネ ク タ	AND	06
JK201	V9234300	Cannon Connector	JACK NC3FBH1	キ ャ ノ ン コ ネ ク タ	INPUT 1	06
JK301	V9234300	Cannon Connector	JACK NC3FBH1	キ ャ ノ ン コ ネ ク タ	INPUT 2	06
JK401	V9234300	Cannon Connector	JACK NC3FBH1	キ ャ ノ ン コ ネ ク タ	INPUT 3	06
JK501	V9234300	Cannon Connector	JACK NC3FBH1	キ ャ ノ ン コ ネ ク タ	INPUT 4	06
JK601	V9234300	Cannon Connector	JACK NC3FBH1	キ ャ ノ ン コ ネ ク タ	INPUT 5	06
JK701	V9234300	Cannon Connector	JACK NC3FBH1	キ ャ ノ ン コ ネ ク タ	INPUT 6	06
JK801	V9234300	Cannon Connector	JACK NC3FBH1	キ ャ ノ ン コ ネ ク タ	INPUT 7	06
JK921	V5107900	BNC Connector	2P COH2183-02	2 P B N C コ ネ ク タ	INPUT 8	06
L001	GE300610	Ferrite Bead	BL02RN1-R62T4	フ ェ ラ イ ト ビ ー ズ	WORD CLOCK OUT/IN	05
L051	GE300610	Ferrite Bead	BL02RN1-R62T4	フ ェ ラ イ ト ビ ー ズ		01
L052	V7716400	Coil	SSB44-331 330uH	コ イ ル 3 3 0 U		03
L101	GE300610	Ferrite Bead	BL02RN1-R62T4	フ ェ ラ イ ト ビ ー ズ		01
L301	GE300610	Ferrite Bead	BL02RN1-R62T4	フ ェ ラ イ ト ビ ー ズ		01
L501	GE300610	Ferrite Bead	BL02RN1-R62T4	フ ェ ラ イ ト ビ ー ズ		01
L701	GE300610	Ferrite Bead	BL02RN1-R62T4	フ ェ ラ イ ト ビ ー ズ		01
L921	V3232700	Chip Inductance	120U BLM31P121SN1L	チ ッ プ イ ン ダ ク タ		01
L922	V3232700	Chip Inductance	120U BLM31P121SN1L	チ ッ プ イ ン ダ ク タ		01
L923	WA538500	Pulse Transformer	T7F-019=P3	パ ル ス ト ラ ン ス		05
-926	WA538500	Pulse Transformer	T7F-019=P3	パ ル ス ト ラ ン ス		05
L929	V2846000	Noise Filter	ZJYS51R5-4PT	ノ イ ズ フ ィ ル タ		04
L930	V2846000	Noise Filter	ZJYS51R5-4PT	ノ イ ズ フ ィ ル タ		04
L981	V9224400	Coil	CDRH127-270MC 27uH	コ イ ル 2 7 U		03
Q100	VV540200	Transistor	2SB1260 T100 P,Q,R	ト ラ ン ジ ス タ		01
Q101	V7421700	Transistor	2SC3324 GR,BL TE85	ト ラ ン ジ ス タ		01
Q102	VV556400	Transistor	2SC2412K Q,R,S	ト ラ ン ジ ス タ		01
Q103	VV556400	Transistor	2SC2412K Q,R,S	ト ラ ン ジ ス タ		01
Q200	VV540200	Transistor	2SB1260 T100 P,Q,R	ト ラ ン ジ ス タ		01
Q201	V7421700	Transistor	2SC3324 GR,BL TE85	ト ラ ン ジ ス タ		01
Q202	VV556400	Transistor	2SC2412K Q,R,S	ト ラ ン ジ ス タ		01
Q203	VV556400	Transistor	2SC2412K Q,R,S	ト ラ ン ジ ス タ		01
Q300	VV540200	Transistor	2SB1260 T100 P,Q,R	ト ラ ン ジ ス タ		01
Q301	V7421700	Transistor	2SC3324 GR,BL TE85	ト ラ ン ジ ス タ		01
Q302	VV556400	Transistor	2SC2412K Q,R,S	ト ラ ン ジ ス タ		01
Q303	VV556400	Transistor	2SC2412K Q,R,S	ト ラ ン ジ ス タ		01
Q400	VV540200	Transistor	2SB1260 T100 P,Q,R	ト ラ ン ジ ス タ		01
Q401	V7421700	Transistor	2SC3324 GR,BL TE85	ト ラ ン ジ ス タ		01
Q402	VV556400	Transistor	2SC2412K Q,R,S	ト ラ ン ジ ス タ		01
Q403	VV556400	Transistor	2SC2412K Q,R,S	ト ラ ン ジ ス タ		01
Q500	VV540200	Transistor	2SB1260 T100 P,Q,R	ト ラ ン ジ ス タ		01
Q501	V7421700	Transistor	2SC3324 GR,BL TE85	ト ラ ン ジ ス タ		01
Q502	VV556400	Transistor	2SC2412K Q,R,S	ト ラ ン ジ ス タ		01
Q503	VV556400	Transistor	2SC2412K Q,R,S	ト ラ ン ジ ス タ		01
Q600	VV540200	Transistor	2SB1260 T100 P,Q,R	ト ラ ン ジ ス タ		01
Q601	V7421700	Transistor	2SC3324 GR,BL TE85	ト ラ ン ジ ス タ		01
Q602	VV556400	Transistor	2SC2412K Q,R,S	ト ラ ン ジ ス タ		01
Q603	VV556400	Transistor	2SC2412K Q,R,S	ト ラ ン ジ ス タ		01
Q700	VV540200	Transistor	2SB1260 T100 P,Q,R	ト ラ ン ジ ス タ		01
Q701	V7421700	Transistor	2SC3324 GR,BL TE85	ト ラ ン ジ ス タ		01
Q702	VV556400	Transistor	2SC2412K Q,R,S	ト ラ ン ジ ス タ		01
Q703	VV556400	Transistor	2SC2412K Q,R,S	ト ラ ン ジ ス タ		01
Q800	VV540200	Transistor	2SB1260 T100 P,Q,R	ト ラ ン ジ ス タ		01
Q801	V7421700	Transistor	2SC3324 GR,BL TE85	ト ラ ン ジ ス タ		01
Q802	VV556400	Transistor	2SC2412K Q,R,S	ト ラ ン ジ ス タ		01
Q803	VV556400	Transistor	2SC2412K Q,R,S	ト ラ ン ジ ス タ		01
R001	RD357100	Carbon Resistor (chip)	10.0K 63M J	チ ッ プ 抵 抗		01
R002	RD357100	Carbon Resistor (chip)	10.0K 63M J	チ ッ プ 抵 抗		01

*: New Parts

RANK: Japan only

REF NO.	PART NO.	DESCRIPTION		部 品 名	REMARKS	QTY	RANK
R003	RD358100	Carbon Resistor (chip)	100.0K 63M J	チ ッ プ 抵 抗			01
R004	RD358100	Carbon Resistor (chip)	100.0K 63M J	チ ッ プ 抵 抗			01
R005	RD357470	Carbon Resistor (chip)	47.0K 63M J	チ ッ プ 抵 抗			01
R006	RD357100	Carbon Resistor (chip)	10.0K 63M J	チ ッ プ 抵 抗			01
R007	VI194900	Metal Film Resistor (chip)	1.0K 1/10 D	チ ッ プ 金 被 抵 抗			01
-009	VI194900	Metal Film Resistor (chip)	1.0K 1/10 D	チ ッ プ 金 被 抵 抗			01
R010	RD356100	Carbon Resistor (chip)	1.0K 63M J	チ ッ プ 抵 抗			01
-012	RD356100	Carbon Resistor (chip)	1.0K 63M J	チ ッ プ 抵 抗			01
R013	RD355200	Carbon Resistor (chip)	200.0 63M J	チ ッ プ 抵 抗			01
R014	RD357100	Carbon Resistor (chip)	10.0K 63M J	チ ッ プ 抵 抗			01
R015	RD357100	Carbon Resistor (chip)	10.0K 63M J	チ ッ プ 抵 抗			01
R016	RD356100	Carbon Resistor (chip)	1.0K 63M J	チ ッ プ 抵 抗			01
R017	RD356300	Carbon Resistor (chip)	3.0K 63M J	チ ッ プ 抵 抗			01
R018	RD355200	Carbon Resistor (chip)	200.0 63M J	チ ッ プ 抵 抗			01
R019	RD357100	Carbon Resistor (chip)	10.0K 63M J	チ ッ プ 抵 抗			01
R020	RD358100	Carbon Resistor (chip)	100.0K 63M J	チ ッ プ 抵 抗			01
R021	RD355470	Carbon Resistor (chip)	470.0 63M J	チ ッ プ 抵 抗			01
R022	RD359100	Carbon Resistor (chip)	1.0M 63M J	チ ッ プ 抵 抗			01
R023	RD357100	Carbon Resistor (chip)	10.0K 63M J	チ ッ プ 抵 抗			01
-025	RD357100	Carbon Resistor (chip)	10.0K 63M J	チ ッ プ 抵 抗			01
R051	RD357100	Carbon Resistor (chip)	10.0K 63M J	チ ッ プ 抵 抗			01
-053	RD357100	Carbon Resistor (chip)	10.0K 63M J	チ ッ プ 抵 抗			01
R054	RD355100	Carbon Resistor (chip)	100.0 63M J	チ ッ プ 抵 抗			01
R055	RD350000	Carbon Resistor (chip)	0 63M J	チ ッ プ 抵 抗			01
R056	RD350000	Carbon Resistor (chip)	0 63M J	チ ッ プ 抵 抗			01
R057	RD355150	Carbon Resistor (chip)	150.0 63M J	チ ッ プ 抵 抗			01
R058	RD357100	Carbon Resistor (chip)	10.0K 63M J	チ ッ プ 抵 抗			01
R059	RD357100	Carbon Resistor (chip)	10.0K 63M J	チ ッ プ 抵 抗			01
R060	RD356150	Carbon Resistor (chip)	1.5K 63M J	チ ッ プ 抵 抗			01
R061	RD350000	Carbon Resistor (chip)	0 63M J	チ ッ プ 抵 抗			01
-080	RD350000	Carbon Resistor (chip)	0 63M J	チ ッ プ 抵 抗			01
R082	RD350000	Carbon Resistor (chip)	0 63M J	チ ッ プ 抵 抗			01
-086	RD350000	Carbon Resistor (chip)	0 63M J	チ ッ プ 抵 抗			01
R087	VI194600	Metal Film Resistor (chip)	750.0 1/10 D	チ ッ プ 金 被 抵 抗			01
R088	VI196100	Metal Film Resistor (chip)	3.3K 1/10 D	チ ッ プ 金 被 抵 抗			01
R089	VI196100	Metal Film Resistor (chip)	3.3K 1/10 D	チ ッ プ 金 被 抵 抗			01
R090	VI193700	Metal Film Resistor (chip)	330.0 1/10 D	チ ッ プ 金 被 抵 抗			01
R091	VI196000	Metal Film Resistor (chip)	3.0K 1/10 D	チ ッ プ 金 被 抵 抗			01
R092	RD350000	Carbon Resistor (chip)	0 63M J	チ ッ プ 抵 抗			01
R093	RD350000	Carbon Resistor (chip)	0 63M J	チ ッ プ 抵 抗			01
R094	RD357470	Carbon Resistor (chip)	47.0K 63M J	チ ッ プ 抵 抗			01
R095	RD350000	Carbon Resistor (chip)	0 63M J	チ ッ プ 抵 抗			01
-099	RD350000	Carbon Resistor (chip)	0 63M J	チ ッ プ 抵 抗			01
R101	VC328400	Metal Film Resistor	6.8K 1/4 F	金 属 被 膜 抵 抗			01
R102	VC328400	Metal Film Resistor	6.8K 1/4 F	金 属 被 膜 抵 抗			01
R103	HV755390	Flame Proof C. Resistor	390.0 1/4 J	不 燃 化 力 - ボ ン 抵 抗			01
R104	RD258100	Carbon Resistor (chip)	100.0K 0.1 J	チ ッ プ 抵 抗			01
R105	RD257100	Carbon Resistor (chip)	10.0K 0.1 J	チ ッ プ 抵 抗			01
R106	WA024800	Metal Film Resistor (chip)	270.0 1/10 D	チ ッ プ 金 皮 抵 抗			01
R107	WA025600	Metal Film Resistor (chip)	2.0K 1/10 D	チ ッ プ 金 皮 抵 抗			01
R108	WA025600	Metal Film Resistor (chip)	2.0K 1/10 D	チ ッ プ 金 皮 抵 抗			01
R109	WA026200	Metal Film Resistor (chip)	4.7K 1/10 D	チ ッ プ 金 皮 抵 抗			01
R110	RD254100	Carbon Resistor (chip)	10.0 0.1 J	チ ッ プ 抵 抗			01
R111	RD254100	Carbon Resistor (chip)	10.0 0.1 J	チ ッ プ 抵 抗			01
R112	WA028200	Metal Film Resistor (chip)	100.0K 1/10 D	チ ッ プ 金 皮 抵 抗			01
R113	WA028200	Metal Film Resistor (chip)	100.0K 1/10 D	チ ッ プ 金 皮 抵 抗			01
R114	RD254100	Carbon Resistor (chip)	10.0 0.1 J	チ ッ プ 抵 抗			01
R115	RD254100	Carbon Resistor (chip)	10.0 0.1 J	チ ッ プ 抵 抗			01
R116	RD257100	Carbon Resistor (chip)	10.0K 0.1 J	チ ッ プ 抵 抗			01
R117	RD257100	Carbon Resistor (chip)	10.0K 0.1 J	チ ッ プ 抵 抗			01
* R118	WC286600	Metal Film Resistor (chip)	56.0 1/10 D	チ ッ プ 金 皮 抵 抗			01
R119	WA025200	Metal Film Resistor (chip)	1.0K 1/10 D	チ ッ プ 金 皮 抵 抗			01
* R120	WC286600	Metal Film Resistor (chip)	56.0 1/10 D	チ ッ プ 金 皮 抵 抗			01
R121	WA025900	Metal Film Resistor (chip)	2.7K 1/10 D	チ ッ プ 金 皮 抵 抗			01
R122	WA449500	Metal Film Resistor (chip)	8.2K 1/10 D	チ ッ プ 金 皮 抵 抗			01
R123	WA449500	Metal Film Resistor (chip)	8.2K 1/10 D	チ ッ プ 金 皮 抵 抗			01
R124	WA026200	Metal Film Resistor (chip)	4.7K 1/10 D	チ ッ プ 金 皮 抵 抗			01
* R125	WB830300	Metal Film Resistor (chip)	33.0K 1/10 D	チ ッ プ 金 皮 抵 抗			01
R126	RD255100	Carbon Resistor (chip)	100.0 0.1 J	チ ッ プ 抵 抗			01
R127	WA024500	Metal Film Resistor (chip)	18.0 1/10 D	チ ッ プ 金 皮 抵 抗			01

*: New Parts

RANK: Japan only

REF NO.	PART NO.	DESCRIPTION		部 品 名	REMARKS	QTY	RANK
R128	RD258100	Carbon Resistor (chip)	100.0K 0.1 J	チ ッ プ 抵 抗			01
R129	RD258100	Carbon Resistor (chip)	100.0K 0.1 J	チ ッ プ 抵 抗			01
R130	WA026800	Metal Film Resistor (chip)	11.0K 1/10 D	チ ッ プ 金 皮 抵 抗			01
* R131	WB830200	Metal Film Resistor (chip)	1.3K 1/10 D	チ ッ プ 金 皮 抵 抗			01
R132	WA025600	Metal Film Resistor (chip)	2.0K 1/10 D	チ ッ プ 金 皮 抵 抗			01
R133	WA025600	Metal Film Resistor (chip)	2.0K 1/10 D	チ ッ プ 金 皮 抵 抗			01
R134	RD255220	Carbon Resistor (chip)	220.0 0.1 J	チ ッ プ 抵 抗			01
R135	RD255220	Carbon Resistor (chip)	220.0 0.1 J	チ ッ プ 抵 抗			01
R136	WA026700	Metal Film Resistor (chip)	10.0K 1/10 D	チ ッ プ 金 皮 抵 抗			01
R137	RD255100	Carbon Resistor (chip)	100.0 0.1 J	チ ッ プ 抵 抗			01
-142	RD255100	Carbon Resistor (chip)	100.0 0.1 J	チ ッ プ 抵 抗			01
* R148	RD157390	Carbon Resistor (chip)	39.0K 1/4 J	チ ッ プ 抵 抗			01
R149	RD257240	Carbon Resistor (chip)	24.0K 0.1 J	チ ッ プ 抵 抗			01
R201	VC328400	Metal Film Resistor	6.8K 1/4 F	金 属 被 膜 抵 抗			01
R202	VC328400	Metal Film Resistor	6.8K 1/4 F	金 属 被 膜 抵 抗			01
R203	HV755390	Flame Proof C. Resistor	390.0 1/4 J	不 燃 化 力 - カ ー ボ ン 抵 抗			01
R204	RD258100	Carbon Resistor (chip)	100.0K 0.1 J	チ ッ プ 抵 抗			01
R205	RD257100	Carbon Resistor (chip)	10.0K 0.1 J	チ ッ プ 抵 抗			01
R206	WA024800	Metal Film Resistor (chip)	270.0 1/10 D	チ ッ プ 金 皮 抵 抗			01
R207	WA025600	Metal Film Resistor (chip)	2.0K 1/10 D	チ ッ プ 金 皮 抵 抗			01
R208	WA025600	Metal Film Resistor (chip)	2.0K 1/10 D	チ ッ プ 金 皮 抵 抗			01
R209	WA026200	Metal Film Resistor (chip)	4.7K 1/10 D	チ ッ プ 金 皮 抵 抗			01
R210	RD254100	Carbon Resistor (chip)	10.0 0.1 J	チ ッ プ 抵 抗			01
R211	RD254100	Carbon Resistor (chip)	10.0 0.1 J	チ ッ プ 抵 抗			01
R212	WA028200	Metal Film Resistor (chip)	100.0K 1/10 D	チ ッ プ 金 皮 抵 抗			01
R213	WA028200	Metal Film Resistor (chip)	100.0K 1/10 D	チ ッ プ 金 皮 抵 抗			01
R214	RD254100	Carbon Resistor (chip)	10.0 0.1 J	チ ッ プ 抵 抗			01
R215	RD254100	Carbon Resistor (chip)	10.0 0.1 J	チ ッ プ 抵 抗			01
R216	RD257100	Carbon Resistor (chip)	10.0K 0.1 J	チ ッ プ 抵 抗			01
R217	RD257100	Carbon Resistor (chip)	10.0K 0.1 J	チ ッ プ 抵 抗			01
* R218	WC286600	Metal Film Resistor (chip)	56.0 1/10 D	チ ッ プ 金 皮 抵 抗			01
R219	WA025200	Metal Film Resistor (chip)	1.0K 1/10 D	チ ッ プ 金 皮 抵 抗			01
* R220	WC286600	Metal Film Resistor (chip)	56.0 1/10 D	チ ッ プ 金 皮 抵 抗			01
R221	WA025900	Metal Film Resistor (chip)	2.7K 1/10 D	チ ッ プ 金 皮 抵 抗			01
R222	WA449500	Metal Film Resistor (chip)	8.2K 1/10 D	チ ッ プ 金 皮 抵 抗			01
R223	WA449500	Metal Film Resistor (chip)	8.2K 1/10 D	チ ッ プ 金 皮 抵 抗			01
R224	WA026200	Metal Film Resistor (chip)	4.7K 1/10 D	チ ッ プ 金 皮 抵 抗			01
* R225	WB830300	Metal Film Resistor (chip)	33.0K 1/10 D	チ ッ プ 金 皮 抵 抗			01
R226	RD255100	Carbon Resistor (chip)	100.0 0.1 J	チ ッ プ 抵 抗			01
R227	WA024500	Metal Film Resistor (chip)	18.0 1/10 D	チ ッ プ 金 皮 抵 抗			01
R228	RD258100	Carbon Resistor (chip)	100.0K 0.1 J	チ ッ プ 抵 抗			01
R229	RD258100	Carbon Resistor (chip)	100.0K 0.1 J	チ ッ プ 抵 抗			01
R230	WA026800	Metal Film Resistor (chip)	11.0K 1/10 D	チ ッ プ 金 皮 抵 抗			01
* R231	WB830200	Metal Film Resistor (chip)	1.3K 1/10 D	チ ッ プ 金 皮 抵 抗			01
R232	WA025600	Metal Film Resistor (chip)	2.0K 1/10 D	チ ッ プ 金 皮 抵 抗			01
R233	WA025600	Metal Film Resistor (chip)	2.0K 1/10 D	チ ッ プ 金 皮 抵 抗			01
R234	RD255220	Carbon Resistor (chip)	220.0 0.1 J	チ ッ プ 抵 抗			01
R235	RD255220	Carbon Resistor (chip)	220.0 0.1 J	チ ッ プ 抵 抗			01
R236	WA026700	Metal Film Resistor (chip)	10.0K 1/10 D	チ ッ プ 金 皮 抵 抗			01
* R248	RD157390	Carbon Resistor (chip)	39.0K 1/4 J	チ ッ プ 抵 抗			01
R249	RD257240	Carbon Resistor (chip)	24.0K 0.1 J	チ ッ プ 抵 抗			01
R301	VC328400	Metal Film Resistor	6.8K 1/4 F	金 属 被 膜 抵 抗			01
R302	VC328400	Metal Film Resistor	6.8K 1/4 F	金 属 被 膜 抵 抗			01
R303	HV755390	Flame Proof C. Resistor	390.0 1/4 J	不 燃 化 力 - カ ー ボ ン 抵 抗			01
R304	RD258100	Carbon Resistor (chip)	100.0K 0.1 J	チ ッ プ 抵 抗			01
R305	RD257100	Carbon Resistor (chip)	10.0K 0.1 J	チ ッ プ 抵 抗			01
R306	WA024800	Metal Film Resistor (chip)	270.0 1/10 D	チ ッ プ 金 皮 抵 抗			01
R307	WA025600	Metal Film Resistor (chip)	2.0K 1/10 D	チ ッ プ 金 皮 抵 抗			01
R308	WA025600	Metal Film Resistor (chip)	2.0K 1/10 D	チ ッ プ 金 皮 抵 抗			01
R309	WA026200	Metal Film Resistor (chip)	4.7K 1/10 D	チ ッ プ 金 皮 抵 抗			01
R310	RD254100	Carbon Resistor (chip)	10.0 0.1 J	チ ッ プ 抵 抗			01
R311	RD254100	Carbon Resistor (chip)	10.0 0.1 J	チ ッ プ 抵 抗			01
R312	WA028200	Metal Film Resistor (chip)	100.0K 1/10 D	チ ッ プ 金 皮 抵 抗			01
R313	WA028200	Metal Film Resistor (chip)	100.0K 1/10 D	チ ッ プ 金 皮 抵 抗			01
R314	RD254100	Carbon Resistor (chip)	10.0 0.1 J	チ ッ プ 抵 抗			01
R315	RD254100	Carbon Resistor (chip)	10.0 0.1 J	チ ッ プ 抵 抗			01
R316	RD257100	Carbon Resistor (chip)	10.0K 0.1 J	チ ッ プ 抵 抗			01
R317	RD257100	Carbon Resistor (chip)	10.0K 0.1 J	チ ッ プ 抵 抗			01
* R318	WC286600	Metal Film Resistor (chip)	56.0 1/10 D	チ ッ プ 金 皮 抵 抗			01
R319	WA025200	Metal Film Resistor (chip)	1.0K 1/10 D	チ ッ プ 金 皮 抵 抗			01

*: New Parts

RANK: Japan only

REF NO.	PART NO.	DESCRIPTION	部 品 名	REMARKS	QTY	RANK
* R320	WC286600	Metal Film Resistor (chip)	56.0 1/10 D	チ ッ プ 金 皮 抵 抗		01
R321	WA025900	Metal Film Resistor (chip)	2.7K 1/10 D	チ ッ プ 金 皮 抵 抗		01
R322	WA449500	Metal Film Resistor (chip)	8.2K 1/10 D	チ ッ プ 金 皮 抵 抗		01
R323	WA449500	Metal Film Resistor (chip)	8.2K 1/10 D	チ ッ プ 金 皮 抵 抗		01
R324	WA026200	Metal Film Resistor (chip)	4.7K 1/10 D	チ ッ プ 金 皮 抵 抗		01
* R325	WB830300	Metal Film Resistor (chip)	33.0K 1/10 D	チ ッ プ 金 皮 抵 抗		01
R326	RD255100	Carbon Resistor (chip)	100.0 0.1 J	チ ッ プ 抵 抗		01
R327	WA024500	Metal Film Resistor (chip)	18.0 1/10 D	チ ッ プ 金 皮 抵 抗		01
R328	RD258100	Carbon Resistor (chip)	100.0K 0.1 J	チ ッ プ 抵 抗		01
R329	RD258100	Carbon Resistor (chip)	100.0K 0.1 J	チ ッ プ 抵 抗		01
R330	WA026800	Metal Film Resistor (chip)	11.0K 1/10 D	チ ッ プ 金 皮 抵 抗		01
* R331	WB830200	Metal Film Resistor (chip)	1.3K 1/10 D	チ ッ プ 金 皮 抵 抗		01
R332	WA025600	Metal Film Resistor (chip)	2.0K 1/10 D	チ ッ プ 金 皮 抵 抗		01
R333	WA025600	Metal Film Resistor (chip)	2.0K 1/10 D	チ ッ プ 金 皮 抵 抗		01
R334	RD255220	Carbon Resistor (chip)	220.0 0.1 J	チ ッ プ 抵 抗		01
R335	RD255220	Carbon Resistor (chip)	220.0 0.1 J	チ ッ プ 抵 抗		01
R336	WA026700	Metal Film Resistor (chip)	10.0K 1/10 D	チ ッ プ 金 皮 抵 抗		01
R337	RD255100	Carbon Resistor (chip)	100.0 0.1 J	チ ッ プ 抵 抗		01
-342	RD255100	Carbon Resistor (chip)	100.0 0.1 J	チ ッ プ 抵 抗		01
* R348	RD157390	Carbon Resistor (chip)	39.0K 1/4 J	チ ッ プ 抵 抗		01
R349	RD257240	Carbon Resistor (chip)	24.0K 0.1 J	チ ッ プ 抵 抗		01
R401	VC328400	Metal Film Resistor	6.8K 1/4 F	金 属 被 膜 抵 抗		01
R402	VC328400	Metal Film Resistor	6.8K 1/4 F	金 属 被 膜 抵 抗		01
R403	HV755390	Flame Proof C. Resistor	390.0 1/4 J	不 燃 化 力 - ボ ン 抵 抗		01
R404	RD258100	Carbon Resistor (chip)	100.0K 0.1 J	チ ッ プ 抵 抗		01
R405	RD257100	Carbon Resistor (chip)	10.0K 0.1 J	チ ッ プ 抵 抗		01
R406	WA024800	Metal Film Resistor (chip)	270.0 1/10 D	チ ッ プ 金 皮 抵 抗		01
R407	WA025600	Metal Film Resistor (chip)	2.0K 1/10 D	チ ッ プ 金 皮 抵 抗		01
R408	WA025600	Metal Film Resistor (chip)	2.0K 1/10 D	チ ッ プ 金 皮 抵 抗		01
R409	WA026200	Metal Film Resistor (chip)	4.7K 1/10 D	チ ッ プ 金 皮 抵 抗		01
R410	RD254100	Carbon Resistor (chip)	10.0 0.1 J	チ ッ プ 抵 抗		01
R411	RD254100	Carbon Resistor (chip)	10.0 0.1 J	チ ッ プ 抵 抗		01
R412	WA028200	Metal Film Resistor (chip)	100.0K 1/10 D	チ ッ プ 金 皮 抵 抗		01
R413	WA028200	Metal Film Resistor (chip)	100.0K 1/10 D	チ ッ プ 金 皮 抵 抗		01
R414	RD254100	Carbon Resistor (chip)	10.0 0.1 J	チ ッ プ 抵 抗		01
R415	RD254100	Carbon Resistor (chip)	10.0 0.1 J	チ ッ プ 抵 抗		01
R416	RD257100	Carbon Resistor (chip)	10.0K 0.1 J	チ ッ プ 抵 抗		01
R417	RD257100	Carbon Resistor (chip)	10.0K 0.1 J	チ ッ プ 抵 抗		01
* R418	WC286600	Metal Film Resistor (chip)	56.0 1/10 D	チ ッ プ 金 皮 抵 抗		01
R419	WA025200	Metal Film Resistor (chip)	1.0K 1/10 D	チ ッ プ 金 皮 抵 抗		01
* R420	WC286600	Metal Film Resistor (chip)	56.0 1/10 D	チ ッ プ 金 皮 抵 抗		01
R421	WA025900	Metal Film Resistor (chip)	2.7K 1/10 D	チ ッ プ 金 皮 抵 抗		01
R422	WA449500	Metal Film Resistor (chip)	8.2K 1/10 D	チ ッ プ 金 皮 抵 抗		01
R423	WA449500	Metal Film Resistor (chip)	8.2K 1/10 D	チ ッ プ 金 皮 抵 抗		01
R424	WA026200	Metal Film Resistor (chip)	4.7K 1/10 D	チ ッ プ 金 皮 抵 抗		01
* R425	WB830300	Metal Film Resistor (chip)	33.0K 1/10 D	チ ッ プ 金 皮 抵 抗		01
R426	RD255100	Carbon Resistor (chip)	100.0 0.1 J	チ ッ プ 抵 抗		01
R427	WA024500	Metal Film Resistor (chip)	18.0 1/10 D	チ ッ プ 金 皮 抵 抗		01
R428	RD258100	Carbon Resistor (chip)	100.0K 0.1 J	チ ッ プ 抵 抗		01
R429	RD258100	Carbon Resistor (chip)	100.0K 0.1 J	チ ッ プ 抵 抗		01
R430	WA026800	Metal Film Resistor (chip)	11.0K 1/10 D	チ ッ プ 金 皮 抵 抗		01
* R431	WB830200	Metal Film Resistor (chip)	1.3K 1/10 D	チ ッ プ 金 皮 抵 抗		01
R432	WA025600	Metal Film Resistor (chip)	2.0K 1/10 D	チ ッ プ 金 皮 抵 抗		01
R433	WA025600	Metal Film Resistor (chip)	2.0K 1/10 D	チ ッ プ 金 皮 抵 抗		01
R434	RD255220	Carbon Resistor (chip)	220.0 0.1 J	チ ッ プ 抵 抗		01
R435	RD255220	Carbon Resistor (chip)	220.0 0.1 J	チ ッ プ 抵 抗		01
R436	WA026700	Metal Film Resistor (chip)	10.0K 1/10 D	チ ッ プ 金 皮 抵 抗		01
* R448	RD157390	Carbon Resistor (chip)	39.0K 1/4 J	チ ッ プ 抵 抗		01
R449	RD257240	Carbon Resistor (chip)	24.0K 0.1 J	チ ッ プ 抵 抗		01
R501	VC328400	Metal Film Resistor	6.8K 1/4 F	金 属 被 膜 抵 抗		01
R502	VC328400	Metal Film Resistor	6.8K 1/4 F	金 属 被 膜 抵 抗		01
R503	HV755390	Flame Proof C. Resistor	390.0 1/4 J	不 燃 化 力 - ボ ン 抵 抗		01
R504	RD258100	Carbon Resistor (chip)	100.0K 0.1 J	チ ッ プ 抵 抗		01
R505	RD257100	Carbon Resistor (chip)	10.0K 0.1 J	チ ッ プ 抵 抗		01
R506	WA024800	Metal Film Resistor (chip)	270.0 1/10 D	チ ッ プ 金 皮 抵 抗		01
R507	WA025600	Metal Film Resistor (chip)	2.0K 1/10 D	チ ッ プ 金 皮 抵 抗		01
R508	WA025600	Metal Film Resistor (chip)	2.0K 1/10 D	チ ッ プ 金 皮 抵 抗		01
R509	WA026200	Metal Film Resistor (chip)	4.7K 1/10 D	チ ッ プ 金 皮 抵 抗		01
R510	RD254100	Carbon Resistor (chip)	10.0 0.1 J	チ ッ プ 抵 抗		01
R511	RD254100	Carbon Resistor (chip)	10.0 0.1 J	チ ッ プ 抵 抗		01

*: New Parts

RANK: Japan only

REF NO.	PART NO.	DESCRIPTION		部 品 名	REMARKS	QTY	RANK
R512	WA028200	Metal Film Resistor (chip)	100.0K 1/10 D	チ ッ プ 金 皮 抵 抗			01
R513	WA028200	Metal Film Resistor (chip)	100.0K 1/10 D	チ ッ プ 金 皮 抵 抗			01
R514	RD254100	Carbon Resistor (chip)	10.0 0.1 J	チ ッ プ 抵 抗			01
R515	RD254100	Carbon Resistor (chip)	10.0 0.1 J	チ ッ プ 抵 抗			01
R516	RD257100	Carbon Resistor (chip)	10.0K 0.1 J	チ ッ プ 抵 抗			01
R517	RD257100	Carbon Resistor (chip)	10.0K 0.1 J	チ ッ プ 抵 抗			01
* R518	WC286600	Metal Film Resistor (chip)	56.0 1/10 D	チ ッ プ 金 皮 抵 抗			01
R519	WA025200	Metal Film Resistor (chip)	1.0K 1/10 D	チ ッ プ 金 皮 抵 抗			01
* R520	WC286600	Metal Film Resistor (chip)	56.0 1/10 D	チ ッ プ 金 皮 抵 抗			01
R521	WA025900	Metal Film Resistor (chip)	2.7K 1/10 D	チ ッ プ 金 皮 抵 抗			01
R522	WA449500	Metal Film Resistor (chip)	8.2K 1/10 D	チ ッ プ 金 皮 抵 抗			01
R523	WA449500	Metal Film Resistor (chip)	8.2K 1/10 D	チ ッ プ 金 皮 抵 抗			01
R524	WA026200	Metal Film Resistor (chip)	4.7K 1/10 D	チ ッ プ 金 皮 抵 抗			01
* R525	WB830300	Metal Film Resistor (chip)	33.0K 1/10 D	チ ッ プ 金 皮 抵 抗			01
R526	RD255100	Carbon Resistor (chip)	100.0 0.1 J	チ ッ プ 抵 抗			01
R527	WA024500	Metal Film Resistor (chip)	18.0 1/10 D	チ ッ プ 金 皮 抵 抗			01
R528	RD258100	Carbon Resistor (chip)	100.0K 0.1 J	チ ッ プ 抵 抗			01
R529	RD258100	Carbon Resistor (chip)	100.0K 0.1 J	チ ッ プ 抵 抗			01
R530	WA026800	Metal Film Resistor (chip)	11.0K 1/10 D	チ ッ プ 金 皮 抵 抗			01
* R531	WB830200	Metal Film Resistor (chip)	1.3K 1/10 D	チ ッ プ 金 皮 抵 抗			01
R532	WA025600	Metal Film Resistor (chip)	2.0K 1/10 D	チ ッ プ 金 皮 抵 抗			01
R533	WA025600	Metal Film Resistor (chip)	2.0K 1/10 D	チ ッ プ 金 皮 抵 抗			01
R534	RD255220	Carbon Resistor (chip)	220.0 0.1 J	チ ッ プ 抵 抗			01
R535	RD255220	Carbon Resistor (chip)	220.0 0.1 J	チ ッ プ 抵 抗			01
R536	WA026700	Metal Film Resistor (chip)	10.0K 1/10 D	チ ッ プ 金 皮 抵 抗			01
R537	RD255100	Carbon Resistor (chip)	100.0 0.1 J	チ ッ プ 抵 抗			01
-542	RD255100	Carbon Resistor (chip)	100.0 0.1 J	チ ッ プ 抵 抗			01
* R548	RD157390	Carbon Resistor (chip)	39.0K 1/4 J	チ ッ プ 抵 抗			01
R549	RD257240	Carbon Resistor (chip)	24.0K 0.1 J	チ ッ プ 抵 抗			01
R601	VC328400	Metal Film Resistor	6.8K 1/4 F	金 属 被 膜 抵 抗			01
R602	VC328400	Metal Film Resistor	6.8K 1/4 F	金 属 被 膜 抵 抗			01
R603	HV755390	Flame Proof C. Resistor	390.0 1/4 J	不 燃 化 カ ー ボ ン 抵 抗			01
R604	RD258100	Carbon Resistor (chip)	100.0K 0.1 J	チ ッ プ 抵 抗			01
R605	RD257100	Carbon Resistor (chip)	10.0K 0.1 J	チ ッ プ 抵 抗			01
R606	WA024800	Metal Film Resistor (chip)	270.0 1/10 D	チ ッ プ 金 皮 抵 抗			01
R607	WA025600	Metal Film Resistor (chip)	2.0K 1/10 D	チ ッ プ 金 皮 抵 抗			01
R608	WA025600	Metal Film Resistor (chip)	2.0K 1/10 D	チ ッ プ 金 皮 抵 抗			01
R609	WA026200	Metal Film Resistor (chip)	4.7K 1/10 D	チ ッ プ 金 皮 抵 抗			01
R610	RD254100	Carbon Resistor (chip)	10.0 0.1 J	チ ッ プ 抵 抗			01
R611	RD254100	Carbon Resistor (chip)	10.0 0.1 J	チ ッ プ 抵 抗			01
R612	WA028200	Metal Film Resistor (chip)	100.0K 1/10 D	チ ッ プ 金 皮 抵 抗			01
R613	WA028200	Metal Film Resistor (chip)	100.0K 1/10 D	チ ッ プ 金 皮 抵 抗			01
R614	RD254100	Carbon Resistor (chip)	10.0 0.1 J	チ ッ プ 抵 抗			01
R615	RD254100	Carbon Resistor (chip)	10.0 0.1 J	チ ッ プ 抵 抗			01
R616	RD257100	Carbon Resistor (chip)	10.0K 0.1 J	チ ッ プ 抵 抗			01
R617	RD257100	Carbon Resistor (chip)	10.0K 0.1 J	チ ッ プ 抵 抗			01
* R618	WC286600	Metal Film Resistor (chip)	56.0 1/10 D	チ ッ プ 金 皮 抵 抗			01
R619	WA025200	Metal Film Resistor (chip)	1.0K 1/10 D	チ ッ プ 金 皮 抵 抗			01
* R620	WC286600	Metal Film Resistor (chip)	56.0 1/10 D	チ ッ プ 金 皮 抵 抗			01
R621	WA025900	Metal Film Resistor (chip)	2.7K 1/10 D	チ ッ プ 金 皮 抵 抗			01
R622	WA449500	Metal Film Resistor (chip)	8.2K 1/10 D	チ ッ プ 金 皮 抵 抗			01
R623	WA449500	Metal Film Resistor (chip)	8.2K 1/10 D	チ ッ プ 金 皮 抵 抗			01
R624	WA026200	Metal Film Resistor (chip)	4.7K 1/10 D	チ ッ プ 金 皮 抵 抗			01
* R625	WB830300	Metal Film Resistor (chip)	33.0K 1/10 D	チ ッ プ 金 皮 抵 抗			01
R626	RD255100	Carbon Resistor (chip)	100.0 0.1 J	チ ッ プ 抵 抗			01
R627	WA024500	Metal Film Resistor (chip)	18.0 1/10 D	チ ッ プ 金 皮 抵 抗			01
R628	RD258100	Carbon Resistor (chip)	100.0K 0.1 J	チ ッ プ 抵 抗			01
R629	RD258100	Carbon Resistor (chip)	100.0K 0.1 J	チ ッ プ 抵 抗			01
R630	WA026800	Metal Film Resistor (chip)	11.0K 1/10 D	チ ッ プ 金 皮 抵 抗			01
* R631	WB830200	Metal Film Resistor (chip)	1.3K 1/10 D	チ ッ プ 金 皮 抵 抗			01
R632	WA025600	Metal Film Resistor (chip)	2.0K 1/10 D	チ ッ プ 金 皮 抵 抗			01
R633	WA025600	Metal Film Resistor (chip)	2.0K 1/10 D	チ ッ プ 金 皮 抵 抗			01
R634	RD255220	Carbon Resistor (chip)	220.0 0.1 J	チ ッ プ 抵 抗			01
R635	RD255220	Carbon Resistor (chip)	220.0 0.1 J	チ ッ プ 抵 抗			01
R636	WA026700	Metal Film Resistor (chip)	10.0K 1/10 D	チ ッ プ 金 皮 抵 抗			01
* R648	RD157390	Carbon Resistor (chip)	39.0K 1/4 J	チ ッ プ 抵 抗			01
R649	RD257240	Carbon Resistor (chip)	24.0K 0.1 J	チ ッ プ 抵 抗			01
R701	VC328400	Metal Film Resistor	6.8K 1/4 F	金 属 被 膜 抵 抗			01
R702	VC328400	Metal Film Resistor	6.8K 1/4 F	金 属 被 膜 抵 抗			01
R703	HV755390	Flame Proof C. Resistor	390.0 1/4 J	不 燃 化 カ ー ボ ン 抵 抗			01

*: New Parts

RANK: Japan only

REF NO.	PART NO.	DESCRIPTION	部 品 名	REMARKS	QTY	RANK
R704	RD258100	Carbon Resistor (chip)	100.0K 0.1 J	チ ッ プ 抵 抗		01
R705	RD257100	Carbon Resistor (chip)	10.0K 0.1 J	チ ッ プ 抵 抗		01
R706	WA024800	Metal Film Resistor (chip)	270.0 1/10 D	チ ッ プ 金 皮 抵 抗		01
R707	WA025600	Metal Film Resistor (chip)	2.0K 1/10 D	チ ッ プ 金 皮 抵 抗		01
R708	WA025600	Metal Film Resistor (chip)	2.0K 1/10 D	チ ッ プ 金 皮 抵 抗		01
R709	WA026200	Metal Film Resistor (chip)	4.7K 1/10 D	チ ッ プ 金 皮 抵 抗		01
R710	RD254100	Carbon Resistor (chip)	10.0 0.1 J	チ ッ プ 抵 抗		01
R711	RD254100	Carbon Resistor (chip)	10.0 0.1 J	チ ッ プ 抵 抗		01
R712	WA028200	Metal Film Resistor (chip)	100.0K 1/10 D	チ ッ プ 金 皮 抵 抗		01
R713	WA028200	Metal Film Resistor (chip)	100.0K 1/10 D	チ ッ プ 金 皮 抵 抗		01
R714	RD254100	Carbon Resistor (chip)	10.0 0.1 J	チ ッ プ 抵 抗		01
R715	RD254100	Carbon Resistor (chip)	10.0 0.1 J	チ ッ プ 抵 抗		01
R716	RD257100	Carbon Resistor (chip)	10.0K 0.1 J	チ ッ プ 抵 抗		01
R717	RD257100	Carbon Resistor (chip)	10.0K 0.1 J	チ ッ プ 抵 抗		01
* R718	WC286600	Metal Film Resistor (chip)	56.0 1/10 D	チ ッ プ 金 皮 抵 抗		01
* R719	WA025200	Metal Film Resistor (chip)	1.0K 1/10 D	チ ッ プ 金 皮 抵 抗		01
* R720	WC286600	Metal Film Resistor (chip)	56.0 1/10 D	チ ッ プ 金 皮 抵 抗		01
R721	WA025900	Metal Film Resistor (chip)	2.7K 1/10 D	チ ッ プ 金 皮 抵 抗		01
R722	WA449500	Metal Film Resistor (chip)	8.2K 1/10 D	チ ッ プ 金 皮 抵 抗		01
R723	WA449500	Metal Film Resistor (chip)	8.2K 1/10 D	チ ッ プ 金 皮 抵 抗		01
R724	WA026200	Metal Film Resistor (chip)	4.7K 1/10 D	チ ッ プ 金 皮 抵 抗		01
* R725	WB830300	Metal Film Resistor (chip)	33.0K 1/10 D	チ ッ プ 金 皮 抵 抗		01
R726	RD255100	Carbon Resistor (chip)	100.0 0.1 J	チ ッ プ 抵 抗		01
R727	WA024500	Metal Film Resistor (chip)	18.0 1/10 D	チ ッ プ 金 皮 抵 抗		01
R728	RD258100	Carbon Resistor (chip)	100.0K 0.1 J	チ ッ プ 抵 抗		01
R729	RD258100	Carbon Resistor (chip)	100.0K 0.1 J	チ ッ プ 抵 抗		01
R730	WA026800	Metal Film Resistor (chip)	11.0K 1/10 D	チ ッ プ 金 皮 抵 抗		01
* R731	WB830200	Metal Film Resistor (chip)	1.3K 1/10 D	チ ッ プ 金 皮 抵 抗		01
R732	WA025600	Metal Film Resistor (chip)	2.0K 1/10 D	チ ッ プ 金 皮 抵 抗		01
R733	WA025600	Metal Film Resistor (chip)	2.0K 1/10 D	チ ッ プ 金 皮 抵 抗		01
R734	RD255220	Carbon Resistor (chip)	220.0 0.1 J	チ ッ プ 抵 抗		01
R735	RD255220	Carbon Resistor (chip)	220.0 0.1 J	チ ッ プ 抵 抗		01
R736	WA026700	Metal Film Resistor (chip)	10.0K 1/10 D	チ ッ プ 金 皮 抵 抗		01
R737	RD255100	Carbon Resistor (chip)	100.0 0.1 J	チ ッ プ 抵 抗		01
-742	RD255100	Carbon Resistor (chip)	100.0 0.1 J	チ ッ プ 抵 抗		01
* R748	RD157390	Carbon Resistor (chip)	39.0K 1/4 J	チ ッ プ 抵 抗		01
R749	RD257240	Carbon Resistor (chip)	24.0K 0.1 J	チ ッ プ 抵 抗		01
R801	VC328400	Metal Film Resistor	6.8K 1/4 F	金 属 被 膜 抵 抗		01
R802	VC328400	Metal Film Resistor	6.8K 1/4 F	金 属 被 膜 抵 抗		01
R803	HV755390	Flame Proof C. Resistor	390.0 1/4 J	不 燃 化 力 - ボ ン 抵 抗		01
R804	RD258100	Carbon Resistor (chip)	100.0K 0.1 J	チ ッ プ 抵 抗		01
R805	RD257100	Carbon Resistor (chip)	10.0K 0.1 J	チ ッ プ 抵 抗		01
R806	WA024800	Metal Film Resistor (chip)	270.0 1/10 D	チ ッ プ 金 皮 抵 抗		01
R807	WA025600	Metal Film Resistor (chip)	2.0K 1/10 D	チ ッ プ 金 皮 抵 抗		01
R808	WA025600	Metal Film Resistor (chip)	2.0K 1/10 D	チ ッ プ 金 皮 抵 抗		01
R809	WA026200	Metal Film Resistor (chip)	4.7K 1/10 D	チ ッ プ 金 皮 抵 抗		01
R810	RD254100	Carbon Resistor (chip)	10.0 0.1 J	チ ッ プ 抵 抗		01
R811	RD254100	Carbon Resistor (chip)	10.0 0.1 J	チ ッ プ 抵 抗		01
R812	WA028200	Metal Film Resistor (chip)	100.0K 1/10 D	チ ッ プ 金 皮 抵 抗		01
R813	WA028200	Metal Film Resistor (chip)	100.0K 1/10 D	チ ッ プ 金 皮 抵 抗		01
R814	RD254100	Carbon Resistor (chip)	10.0 0.1 J	チ ッ プ 抵 抗		01
R815	RD254100	Carbon Resistor (chip)	10.0 0.1 J	チ ッ プ 抵 抗		01
R816	RD257100	Carbon Resistor (chip)	10.0K 0.1 J	チ ッ プ 抵 抗		01
R817	RD257100	Carbon Resistor (chip)	10.0K 0.1 J	チ ッ プ 抵 抗		01
* R818	WC286600	Metal Film Resistor (chip)	56.0 1/10 D	チ ッ プ 金 皮 抵 抗		01
R819	WA025200	Metal Film Resistor (chip)	1.0K 1/10 D	チ ッ プ 金 皮 抵 抗		01
* R820	WC286600	Metal Film Resistor (chip)	56.0 1/10 D	チ ッ プ 金 皮 抵 抗		01
R821	WA025900	Metal Film Resistor (chip)	2.7K 1/10 D	チ ッ プ 金 皮 抵 抗		01
R822	WA449500	Metal Film Resistor (chip)	8.2K 1/10 D	チ ッ プ 金 皮 抵 抗		01
R823	WA449500	Metal Film Resistor (chip)	8.2K 1/10 D	チ ッ プ 金 皮 抵 抗		01
R824	WA026200	Metal Film Resistor (chip)	4.7K 1/10 D	チ ッ プ 金 皮 抵 抗		01
* R825	WB830300	Metal Film Resistor (chip)	33.0K 1/10 D	チ ッ プ 金 皮 抵 抗		01
R826	RD255100	Carbon Resistor (chip)	100.0 0.1 J	チ ッ プ 抵 抗		01
R827	WA024500	Metal Film Resistor (chip)	18.0 1/10 D	チ ッ プ 金 皮 抵 抗		01
R828	RD258100	Carbon Resistor (chip)	100.0K 0.1 J	チ ッ プ 抵 抗		01
R829	RD258100	Carbon Resistor (chip)	100.0K 0.1 J	チ ッ プ 抵 抗		01
R830	WA026800	Metal Film Resistor (chip)	11.0K 1/10 D	チ ッ プ 金 皮 抵 抗		01
* R831	WB830200	Metal Film Resistor (chip)	1.3K 1/10 D	チ ッ プ 金 皮 抵 抗		01
R832	WA025600	Metal Film Resistor (chip)	2.0K 1/10 D	チ ッ プ 金 皮 抵 抗		01
R833	WA025600	Metal Film Resistor (chip)	2.0K 1/10 D	チ ッ プ 金 皮 抵 抗		01

*: New Parts

RANK: Japan only

REF NO.	PART NO.	DESCRIPTION	部 品 名	REMARKS	QTY	RANK
R834	RD255220	Carbon Resistor (chip)	220.0 0.1 J	チ ッ プ 抵 抗		01
R835	RD255220	Carbon Resistor (chip)	220.0 0.1 J	チ ッ プ 抵 抗		01
R836	WA026700	Metal Film Resistor (chip)	10.0K 1/10 D	チ ッ プ 金 皮 抵 抗		01
* R848	RD157390	Carbon Resistor (chip)	39.0K 1/4 J	チ ッ プ 抵 抗		01
R849	RD257240	Carbon Resistor (chip)	24.0K 0.1 J	チ ッ プ 抵 抗		01
R901	RD350000	Carbon Resistor (chip)	0 63M J	チ ッ プ 抵 抗		01
R902	RD357100	Carbon Resistor (chip)	10.0K 63M J	チ ッ プ 抵 抗		01
R918	RD350000	Carbon Resistor (chip)	0 63M J	チ ッ プ 抵 抗		01
-920	RD350000	Carbon Resistor (chip)	0 63M J	チ ッ プ 抵 抗		01
R921	RD357470	Carbon Resistor (chip)	47.0K 63M J	チ ッ プ 抵 抗		01
R922	RD357470	Carbon Resistor (chip)	47.0K 63M J	チ ッ プ 抵 抗		01
R923	RD357100	Carbon Resistor (chip)	10.0K 63M J	チ ッ プ 抵 抗		01
R924	VI196400	Metal Film Resistor (chip)	3.9K 1/10 D	チ ッ プ 金 被 抵 抗		01
R925	RD350000	Carbon Resistor (chip)	0 63M J	チ ッ プ 抵 抗		01
R926	RD354470	Carbon Resistor (chip)	47.0 63M J	チ ッ プ 抵 抗		01
R927	RD356220	Carbon Resistor (chip)	2.2K 63M J	チ ッ プ 抵 抗		01
R928	RD354560	Carbon Resistor (chip)	56.0 63M J	チ ッ プ 抵 抗		01
R929	RD350000	Carbon Resistor (chip)	0 63M J	チ ッ プ 抵 抗		01
R930	RD354560	Carbon Resistor (chip)	56.0 63M J	チ ッ プ 抵 抗		01
R931	RD350000	Carbon Resistor (chip)	0 63M J	チ ッ プ 抵 抗		01
R932	RD354560	Carbon Resistor (chip)	56.0 63M J	チ ッ プ 抵 抗		01
R933	RD350000	Carbon Resistor (chip)	0 63M J	チ ッ プ 抵 抗		01
R934	RD354560	Carbon Resistor (chip)	56.0 63M J	チ ッ プ 抵 抗		01
R935	RD350000	Carbon Resistor (chip)	0 63M J	チ ッ プ 抵 抗		01
R936	RD350000	Carbon Resistor (chip)	0 63M J	チ ッ プ 抵 抗		01
R937	RD353470	Carbon Resistor (chip)	4.7 63M J	チ ッ プ 抵 抗		01
R938	RD354750	Carbon Resistor (chip)	75.0 63M J	チ ッ プ 抵 抗		01
R940	RD350000	Carbon Resistor (chip)	0 63M J	チ ッ プ 抵 抗		01
-947	RD350000	Carbon Resistor (chip)	0 63M J	チ ッ プ 抵 抗		01
R949	RD350000	Carbon Resistor (chip)	0 63M J	チ ッ プ 抵 抗		01
-952	RD350000	Carbon Resistor (chip)	0 63M J	チ ッ プ 抵 抗		01
R954	RD350000	Carbon Resistor (chip)	0 63M J	チ ッ プ 抵 抗		01
R955	RD350000	Carbon Resistor (chip)	0 63M J	チ ッ プ 抵 抗		01
R956	RD357100	Carbon Resistor (chip)	10.0K 63M J	チ ッ プ 抵 抗		01
R962	VI194300	Metal Film Resistor (chip)	560.0 1/10 D	チ ッ プ 金 被 抵 抗		01
R981	RD356470	Carbon Resistor (chip)	4.7K 63M J	チ ッ プ 抵 抗		01
-984	RD356470	Carbon Resistor (chip)	4.7K 63M J	チ ッ プ 抵 抗		01
R985	RD357470	Carbon Resistor (chip)	47.0K 63M J	チ ッ プ 抵 抗		01
R998	RD350000	Carbon Resistor (chip)	0 63M J	チ ッ プ 抵 抗		01
RA001	RE047100	Resistor Array	10KX4	抵 抗 ア レ		01
-023	RE047100	Resistor Array	10KX4	抵 抗 ア レ		01
RY101	VU685600	Relay	DC NA- 5 W-K	リ レ		06
RY102	VU685600	Relay	DC NA- 5 W-K	リ レ		06
RY201	VU685600	Relay	DC NA- 5 W-K	リ レ		06
RY202	VU685600	Relay	DC NA- 5 W-K	リ レ		06
RY301	VU685600	Relay	DC NA- 5 W-K	リ レ		06
RY302	VU685600	Relay	DC NA- 5 W-K	リ レ		06
RY401	VU685600	Relay	DC NA- 5 W-K	リ レ		06
RY402	VU685600	Relay	DC NA- 5 W-K	リ レ		06
RY501	VU685600	Relay	DC NA- 5 W-K	リ レ		06
RY502	VU685600	Relay	DC NA- 5 W-K	リ レ		06
RY601	VU685600	Relay	DC NA- 5 W-K	リ レ		06
RY602	VU685600	Relay	DC NA- 5 W-K	リ レ		06
RY701	VU685600	Relay	DC NA- 5 W-K	リ レ		06
RY702	VU685600	Relay	DC NA- 5 W-K	リ レ		06
RY801	VU685600	Relay	DC NA- 5 W-K	リ レ		06
RY802	VU685600	Relay	DC NA- 5 W-K	リ レ		06
* TA961	X5127A00	IC	TB62707F(EL)	エ ー シ ュ	LED DRIVER	05
TA962	V9615500	Transistor Array	TD62783AF(EL)	ト ラ ン ジ ス タ ア レ イ		
TA963	V9615500	Transistor Array	TD62783AF(EL)	ト ラ ン ジ ス タ ア レ イ		
* VR101	WC953200	Trimmer Potentiometer	B 500 3P PV36Y	半 固 定	V R	03
* VR201	WC953200	Trimmer Potentiometer	B 500 3P PV36Y	半 固 定	V R	03
* VR301	WC953200	Trimmer Potentiometer	B 500 3P PV36Y	半 固 定	V R	03
* VR401	WC953200	Trimmer Potentiometer	B 500 3P PV36Y	半 固 定	V R	03
* VR501	WC953200	Trimmer Potentiometer	B 500 3P PV36Y	半 固 定	V R	03
* VR601	WC953200	Trimmer Potentiometer	B 500 3P PV36Y	半 固 定	V R	03
* VR701	WC953200	Trimmer Potentiometer	B 500 3P PV36Y	半 固 定	V R	03
* VR801	WC953200	Trimmer Potentiometer	B 500 3P PV36Y	半 固 定	V R	03
X001	VL907400	Quartz Crystal Unit	19.6608MHz AT-51	水 晶 振 動 子		04
X051	V8904500	Quartz Crystal Unit	49.152MHz DSO751SB	水 晶 発 振 器		

*: New Parts

RANK: Japan only

REF NO.	PART NO.	DESCRIPTION		部 品 名	REMARKS	QTY	RANK
X052	V8904400	Quartz Crystal Unit	45.1584MHzDSO751SB	水 晶 発 振 器			
X901	VZ156100	Quartz Crystal Unit	60MHz DSO751S	水 晶 発 振 器			06
*	WC069900	Circuit Board	HIC-HA	H I C - H A シ ー ト	(WC06320)(X4876A0)		
C101	US062220	Ceramic Capacitor-SL(chip)	220P 50V J	チ ッ プ セ ラ (S L)			01
-103	US062220	Ceramic Capacitor-SL(chip)	220P 50V J	チ ッ プ セ ラ (S L)			01
C104	US062100	Ceramic Capacitor-SL(chip)	100P 50V J	チ ッ プ セ ラ (S L)			01
-106	US062100	Ceramic Capacitor-SL(chip)	100P 50V J	チ ッ プ セ ラ (S L)			01
C107	V8591500	Mica Capacitor (chip)	68P 100V F	チ ッ プ マ イ カ コ ン			03
C108	V8591500	Mica Capacitor (chip)	68P 100V F	チ ッ プ マ イ カ コ ン			03
C109	US064100	Ceramic Capacitor-B (chip)	0.0100 50V K	チ ッ プ セ ラ (B)			01
-112	US064100	Ceramic Capacitor-B (chip)	0.0100 50V K	チ ッ プ セ ラ (B)			01
C113	US062100	Ceramic Capacitor-SL(chip)	100P 50V J	チ ッ プ セ ラ (S L)			01
C114	US062100	Ceramic Capacitor-SL(chip)	100P 50V J	チ ッ プ セ ラ (S L)			01
* CN101	WB991600	Base Post Connector	4B 13P SE	ベ ー ス ポ ス ト			03
D101	VV556300	Diode Array	DAN217 0.3A X2	ダ イ オ ー ド ア レ イ			01
-103	VV556300	Diode Array	DAN217 0.3A X2	ダ イ オ ー ド ア レ イ			01
IC101	X3505A00	IC	NJM2068MD-TE2	I C	OP AMP		02
IC102	X3505A00	IC	NJM2068MD-TE2	I C	OP AMP		02
Q101	V8603000	Transistor	2SA1312 BL	ト ラ ン ジ ス タ			01
Q102	V8603000	Transistor	2SA1312 BL	ト ラ ン ジ ス タ			01
Q103	VV010500	Pair Transistor	IMT1A	ベ ア ト ラ ン ジ ス タ			01
Q104	VV556500	Transistor	2SA1037AK Q,R,S	ト ラ ン ジ ス タ			01
R101	V8591800	Metal Film Resistor (chip)	100.0K 1/10 B	チ ッ プ 金 皮 抵 抗			01
R102	V8591800	Metal Film Resistor (chip)	100.0K 1/10 B	チ ッ プ 金 皮 抵 抗			01
R103	WA024300	Metal Film Resistor (chip)	10.0 1/10 D	チ ッ プ 金 皮 抵 抗			01
R104	WA024300	Metal Film Resistor (chip)	10.0 1/10 D	チ ッ プ 金 皮 抵 抗			01
R105	WA024800	Metal Film Resistor (chip)	270.0 1/10 D	チ ッ プ 金 皮 抵 抗			01
-107	WA024800	Metal Film Resistor (chip)	270.0 1/10 D	チ ッ プ 金 皮 抵 抗			01
R108	WA025700	Metal Film Resistor (chip)	2.2K 1/10 D	チ ッ プ 金 皮 抵 抗			01
R109	WA027700	Metal Film Resistor (chip)	27.0K 1/10 D	チ ッ プ 金 皮 抵 抗			01
R110	WA025700	Metal Film Resistor (chip)	2.2K 1/10 D	チ ッ プ 金 皮 抵 抗			01
R111	WA025700	Metal Film Resistor (chip)	2.2K 1/10 D	チ ッ プ 金 皮 抵 抗			01
R112	V8591700	Metal Film Resistor (chip)	10.0K 1/10 B	チ ッ プ 金 皮 抵 抗			01
R113	V8591700	Metal Film Resistor (chip)	10.0K 1/10 B	チ ッ プ 金 皮 抵 抗			01
* R114	WA027900	Metal Film Resistor (chip)	39.0K 1/10 D	チ ッ プ 金 皮 抵 抗			01
R115	WA027000	Metal Film Resistor (chip)	13.0K 1/10 D	チ ッ プ 金 皮 抵 抗			01
R116	V8591700	Metal Film Resistor (chip)	10.0K 1/10 B	チ ッ プ 金 皮 抵 抗			01
R117	WA025700	Metal Film Resistor (chip)	2.2K 1/10 D	チ ッ プ 金 皮 抵 抗			01
R118	WA025700	Metal Film Resistor (chip)	2.2K 1/10 D	チ ッ プ 金 皮 抵 抗			01
R119	RD254390	Carbon Resistor (chip)	39.0 0.1 J	チ ッ プ 抵 抗			01
* AAX52660	Circuit Board	COMB (PNCOM)		C O M B シ ー ト	(WC23990)(X4875B0/C0)		
* AAX52670	Circuit Board	DC (PNCOM)		D C シ ー ト	(WC23990)(X4875B0/C0)		
* AAX52700	Circuit Board	PN (PNCOM)		P N シ ー ト	(WC23990)(X4875B0/C0)		
* AAX52690	Circuit Board	SUB (PNCOM)		S U B シ ー ト	(WC23990)(X4875B0/C0)		
* AAX52680	Circuit Board	SW (PNCOM)		S W シ ー ト	(WC23990)(X4875B0/C0)		
▲ C001	V3311600	Capacitor	0.010 250V J.U.C.S	規 格 認 定 コ ン			01
C010	WA163300	Electrolytic Cap.	220.00 35.0V	ケ ミ コ ン H D			01
C011	WA163300	Electrolytic Cap.	220.00 35.0V	ケ ミ コ ン H D			01
C012	V7182500	Ceramic Capacitor-F (chip)	0.1000 50V Z	チ ッ プ セ ラ (F)			01
C013	US062470	Ceramic Capacitor-SL(chip)	470P 50V J	チ ッ プ セ ラ (S L)			01
C014	US064100	Ceramic Capacitor-B (chip)	0.0100 50V K	チ ッ プ セ ラ (B)			01
C015	WA163100	Electrolytic Cap.	220.00 35.0V	ケ ミ コ ン H C			01
C016	UA355100	Mylar Capacitor	0.1000 50V J	マ イ ラ ー コ ン			01
C017	V7182500	Ceramic Capacitor-F (chip)	0.1000 50V Z	チ ッ プ セ ラ (F)			01
C018	UU168100	Electrolytic Cap.	100.00 50.0V	ケ ミ コ ン F W			01
* C020	WB820100	Electrolytic Cap.	220.00 63.0V	ケ ミ コ ン H E			01
* C021	WB820100	Electrolytic Cap.	220.00 63.0V	ケ ミ コ ン H E			01
C022	V7182500	Ceramic Capacitor-F (chip)	0.1000 50V Z	チ ッ プ セ ラ (F)			01
C023	WA163100	Electrolytic Cap.	220.00 35.0V	ケ ミ コ ン H C			01
C024	UA355100	Mylar Capacitor	0.1000 50V J	マ イ ラ ー コ ン			01
C025	V7182500	Ceramic Capacitor-F (chip)	0.1000 50V Z	チ ッ プ セ ラ (F)			01
C026	UU168100	Electrolytic Cap.	100.00 50.0V	ケ ミ コ ン F W			01
C030	WA163300	Electrolytic Cap.	220.00 35.0V	ケ ミ コ ン H D			01
C031	WA163300	Electrolytic Cap.	220.00 35.0V	ケ ミ コ ン H D			01
C032	V7182500	Ceramic Capacitor-F (chip)	0.1000 50V Z	チ ッ プ セ ラ (F)			01
C033	US062470	Ceramic Capacitor-SL(chip)	470P 50V J	チ ッ プ セ ラ (S L)			01
C034	US064100	Ceramic Capacitor-B (chip)	0.0100 50V K	チ ッ プ セ ラ (B)			01
C035	WA163100	Electrolytic Cap.	220.00 35.0V	ケ ミ コ ン H C			01

*: New Parts

RANK: Japan only

REF NO.	PART NO.	DESCRIPTION		部 品 名	REMARKS	QTY	RANK
C036	UA355100	Mylar Capacitor	0.1000 50V J	マイラーコン			01
C037	V7182500	Ceramic Capacitor-F (chip)	0.1000 50V Z	チップセラ (F)			01
C038	UU168100	Electrolytic Cap.	100.00 50.0V	ケミコン F W			01
C040	WA163300	Electrolytic Cap.	220.00 35.0V	ケミコン H D			01
C041	WA163300	Electrolytic Cap.	220.00 35.0V	ケミコン H D			01
C042	V7182500	Ceramic Capacitor-F (chip)	0.1000 50V Z	チップセラ (F)			01
C043	V7182500	Ceramic Capacitor-F (chip)	0.1000 50V Z	チップセラ (F)			01
C044	VD534400	Monolithic Ceramic Cap.	1.500 25V Z	積層セラコン			01
* C045	WB820100	Electrolytic Cap.	220.00 63.0V	ケミコン H E			01
* C046	WB820100	Electrolytic Cap.	220.00 63.0V	ケミコン H E			01
C901	UF028100	Electrolytic Cap. (chip)	100 10V	チップケミコン			01
C902	US145100	Ceramic Capacitor-F (chip)	0.1000 25V Z	チップセラ (F)			01
-918	US145100	Ceramic Capacitor-F (chip)	0.1000 25V Z	チップセラ (F)			01
C951	UF037100	Electrolytic Cap. (chip)	10 16V	チップケミコン			01
C952	US145100	Ceramic Capacitor-F (chip)	0.1000 25V Z	チップセラ (F)			01
CN001	VP245600	Base Post Connector	VA 2P SE	ベースツキポスト			01
CN002	LB932060	Base Post Connector	VH 6P TE	ベースポスト			01
CN003	VK025200	Wire Trap	52147 8P TE	ワイヤートラップ			01
CN004	VK025300	Wire Trap	52147 9P TE	ワイヤートラップ			01
CN151	VQ048100	Connector, FFC	52045 32P TE	FFC コネクター			01
CN901	VQ045700	Connector, FFC	52044 28P SE	FFC コネクター			02
CN902	VR147400	D-sub Connector	JBV 25P SE	Dサブコネクター	DIGITAL OUT A(AES/EBU)		05
CN903	VU196300	Connector Socket	17LE-23090-27(D4CH	コネクターソケット	HA REMOTE PC/RS422 with Hex Locking Screw		04
CN951	V1878200	Cable Holder	51048 4P TE	ケーブルホルダー			01
CN952	VU196300	Connector Socket	17LE-23090-27(D4CH	コネクターソケット	HA REMOTE RS422 with Hex Locking Screw		04
D010	V2330500	Diode	DE5S4M	ダイオード			03
D011	V5454500	Diode	1FWJ43N(TPA2)1A30V	ダイオード			01
D012	V5454500	Diode	1FWJ43N(TPA2)1A30V	ダイオード			01
D020	V2330500	Diode	DE5S4M	ダイオード			03
D021	V2330500	Diode	DE5S4M	ダイオード			03
D022	V5454500	Diode	1FWJ43N(TPA2)1A30V	ダイオード			01
-024	V5454500	Diode	1FWJ43N(TPA2)1A30V	ダイオード			01
D030	V2330500	Diode	DE5S4M	ダイオード			03
D031	V5454500	Diode	1FWJ43N(TPA2)1A30V	ダイオード			01
D032	V5454500	Diode	1FWJ43N(TPA2)1A30V	ダイオード			01
* D040	WB799600	Diode	MUR420	ダイオード			03
* EC151	WC285600	Rotary Encoder	EC11B20204	ロータリエンコーダ	Encoder		05
EM010	WA093400	LC Filter	ZJSR5101-223TA	LCフィルター EMI			01
EM020	WA093400	LC Filter	ZJSR5101-223TA	LCフィルター EMI			01
EM030	WA093400	LC Filter	ZJSR5101-223TA	LCフィルター EMI			01
EM901	WA093400	LC Filter	ZJSR5101-223TA	LCフィルター EMI			01
EM902	VQ761400	EMI Filter (chip)	NFM3DCC101U1H3L	エミフィルチップ			01
-905	VQ761400	EMI Filter (chip)	NFM3DCC101U1H3L	エミフィルチップ			01
EM951	WA093400	LC Filter	ZJSR5101-223TA	LCフィルター EMI			01
EM952	VQ761400	EMI Filter (chip)	NFM3DCC101U1H3L	エミフィルチップ			01
-955	VQ761400	EMI Filter (chip)	NFM3DCC101U1H3L	エミフィルチップ			01
* IC010	X2536A00	IC	LM2672MX-ADJ	I C	DC-DC CONVERTER		07
IC011	XR608A00	IC	UPC2415AHF	I C	REGULATOR +15V		04
* IC020	X4364A00	IC	LM2592HVSX-ADJ	I C	DC-DC CONVERTER		08
IC021	XD854A00	IC	NJM7915FA	I C	REGULATOR -15V		03
* IC030	X2536A00	IC	LM2672MX-ADJ	I C	DC-DC CONVERTER		07
IC031	XM967A00	IC	UPC24A05HF	I C	REGULATOR +5V		05
* IC040	X4360A00	IC	LM2585SX-ADJ	I C	DC-DC CONVERTER		08
IC050	X3847A00	IC	S-80142ANMC-JC3-T2	I C	SYSTEM RESET		01
IC901	XU797A00	IC	TC74VHC245FT	I C	TRANSCEIVER		03
IC902	XU797A00	IC	TC74VHC245FT	I C	TRANSCEIVER		03
* IC903	X3813B00	IC	AK4101AVQ	I C	DIT		08
IC904	XU073A00	IC	SN75C1168NSR	I C	LINE DRIVER/RECEIVER		05
IC905	XU815A00	IC	DS26C32ATMX	I C	LINE RECEIVER		06
IC951	XU073A00	IC	SN75C1168NSR	I C	LINE DRIVER/RECEIVER	(WA20680)	05
K001	--	Earth Plate		アースプレート			
L010	WA082600	Coil	CDRH127-101MC 100u	コイル 1 0 0 U			03
* L020	WB420300	Coil	CDRH127-221MC 220u	コイル 2 2 0 U			03
* L030	WB420300	Coil	CDRH127-221MC 220u	コイル 2 2 0 U			03
L040	WA082600	Coil	CDRH127-101MC 100u	コイル 1 0 0 U			03
L901	WA538500	Pulse Transformer	T7F-019=P3	パルストランス			05
-904	WA538500	Pulse Transformer	T7F-019=P3	パルストランス			05
L905	V2846000	Noise Filter	ZJYS51R5-4PT	ノイズフィルタ			04

*: New Parts

RANK: Japan only

REF NO.	PART NO.	DESCRIPTION	部 品 名	REMARKS	QTY	RANK
L906	V2846000	Noise Filter	ZJYS51R5-4PT	ノイズフィルタ		04
L907	WA538500	Pulse Transformer	T7F-019=P3	パルストランス		05
L908	V2846000	Noise Filter	ZJYS51R5-4PT	ノイズフィルタ		04
LD151	WA587900	LED (chip) Red	TLSU1020(T14)	チップLED	+48V-1	01
* LD152	WC507200	LED (chip) Green	TLGV1020 J,K	チップLED	1	01
* LD153	WA877100	LED (chip) Orange	TLOU1020(T14)	チップLED	WORD CLOCK DIGITAL OUT A	01
LD155	WA587900	LED (chip) Red	TLSU1020(T14)	チップLED	OVER-1	01
LD156	WC153200	LED (chip) Yellow	TLYV1020(T14,JK)	チップLED	-6-1	
LD157	WC153200	LED (chip) Yellow	TLYV1020(T14,JK)	チップLED	-12-1	
LD158	WC153200	LED (chip) Yellow	TLYV1020(T14,JK)	チップLED	-18-1	
* LD159	WC507200	LED (chip) Green	TLGV1020 J,K	チップLED	-30-1	
* LD160	WC507200	LED (chip) Green	TLGV1020 J,K	チップLED	-48-1	
* LD161	WC507200	LED (chip) Green	TLGV1020 J,K	チップLED	HPF-1	
* LD162	WC507100	LED Display	LA-601EB	LEDディスプレイ	7 SEG.	04
LD251	WA587900	LED (chip) Red	TLSU1020(T14)	チップLED	+48V-2	01
* LD252	WC507200	LED (chip) Green	TLGV1020 J,K	チップLED	2	01
* LD253	WA877100	LED (chip) Orange	TLOU1020(T14)	チップLED	WORD CLOCK IN	01
LD255	WA587900	LED (chip) Red	TLSU1020(T14)	チップLED	OVER-2	01
LD256	WC153200	LED (chip) Yellow	TLYV1020(T14,JK)	チップLED	-6-2	
LD257	WC153200	LED (chip) Yellow	TLYV1020(T14,JK)	チップLED	-12-2	
LD258	WC153200	LED (chip) Yellow	TLYV1020(T14,JK)	チップLED	-18-2	
* LD259	WC507200	LED (chip) Green	TLGV1020 J,K	チップLED	-30-2	01
* LD260	WC507200	LED (chip) Green	TLGV1020 J,K	チップLED	-48-2	01
* LD261	WC507200	LED (chip) Green	TLGV1020 J,K	チップLED	HPF-2	01
* LD262	WC507100	LED Display	LA-601EB	LEDディスプレイ	7 SEG.	04
LD351	WA587900	LED (chip) Red	TLSU1020(T14)	チップLED	+48V-3	01
* LD352	WC507200	LED (chip) Green	TLGV1020 J,K	チップLED	3	01
* LD353	WC507200	LED (chip) Green	TLGV1020 J,K	チップLED	WORD CLOCK 44.1kHz	01
LD355	WA587900	LED (chip) Red	TLSU1020(T14)	チップLED	OVER-3	01
LD356	WC153200	LED (chip) Yellow	TLYV1020(T14,JK)	チップLED	-6-3	
LD357	WC153200	LED (chip) Yellow	TLYV1020(T14,JK)	チップLED	-12-3	
LD358	WC153200	LED (chip) Yellow	TLYV1020(T14,JK)	チップLED	-18-3	
* LD359	WC507200	LED (chip) Green	TLGV1020 J,K	チップLED	-30-3	01
* LD360	WC507200	LED (chip) Green	TLGV1020 J,K	チップLED	-48-3	01
* LD361	WC507200	LED (chip) Green	TLGV1020 J,K	チップLED	HPF-3	01
* LD362	WC507100	LED Display	LA-601EB	LEDディスプレイ	7 SEG.	04
LD451	WA587900	LED (chip) Red	TLSU1020(T14)	チップLED	+48V-4	01
* LD452	WC507200	LED (chip) Green	TLGV1020 J,K	チップLED	4	01
* LD453	WC507200	LED (chip) Green	TLGV1020 J,K	チップLED	WORD CLOCK 48kHz	01
LD455	WA587900	LED (chip) Red	TLSU1020(T14)	チップLED	OVER-4	01
LD456	WC153200	LED (chip) Yellow	TLYV1020(T14,JK)	チップLED	-6-4	
LD457	WC153200	LED (chip) Yellow	TLYV1020(T14,JK)	チップLED	-12-4	
LD458	WC153200	LED (chip) Yellow	TLYV1020(T14,JK)	チップLED	-18-4	
* LD459	WC507200	LED (chip) Green	TLGV1020 J,K	チップLED	-30-4	01
* LD460	WC507200	LED (chip) Green	TLGV1020 J,K	チップLED	-48-4	01
* LD461	WC507200	LED (chip) Green	TLGV1020 J,K	チップLED	HPF-4	01
LD551	WA587900	LED (chip) Red	TLSU1020(T14)	チップLED	+48V-5	01
* LD552	WC507200	LED (chip) Green	TLGV1020 J,K	チップLED	5	01
* LD553	WC507200	LED (chip) Green	TLGV1020 J,K	チップLED	WORD CLOCK 88.2kHz	01
LD555	WA587900	LED (chip) Red	TLSU1020(T14)	チップLED	OVER-5	01
LD556	WC153200	LED (chip) Yellow	TLYV1020(T14,JK)	チップLED	-6-5	
LD557	WC153200	LED (chip) Yellow	TLYV1020(T14,JK)	チップLED	-12-5	
LD558	WC153200	LED (chip) Yellow	TLYV1020(T14,JK)	チップLED	-18-5	
* LD559	WC507200	LED (chip) Green	TLGV1020 J,K	チップLED	-30-5	01
* LD560	WC507200	LED (chip) Green	TLGV1020 J,K	チップLED	-48-5	01
* LD561	WC507200	LED (chip) Green	TLGV1020 J,K	チップLED	HPF-5	01
LD651	WA587900	LED (chip) Red	TLSU1020(T14)	チップLED	+48V-6	01
* LD652	WC507200	LED (chip) Green	TLGV1020 J,K	チップLED	6	01
* LD653	WC507200	LED (chip) Green	TLGV1020 J,K	チップLED	WORD CLOCK 96kHz	01
LD655	WA587900	LED (chip) Red	TLSU1020(T14)	チップLED	OVER-6	01
LD656	WC153200	LED (chip) Yellow	TLYV1020(T14,JK)	チップLED	-6-6	
LD657	WC153200	LED (chip) Yellow	TLYV1020(T14,JK)	チップLED	-12-6	
LD658	WC153200	LED (chip) Yellow	TLYV1020(T14,JK)	チップLED	-18-6	
* LD659	WC507200	LED (chip) Green	TLGV1020 J,K	チップLED	-30-6	01
* LD660	WC507200	LED (chip) Green	TLGV1020 J,K	チップLED	-48-6	01
* LD661	WC507200	LED (chip) Green	TLGV1020 J,K	チップLED	HPF-6	01
LD751	WA587900	LED (chip) Red	TLSU1020(T14)	チップLED	+48V-7	01
* LD752	WC507200	LED (chip) Green	TLGV1020 J,K	チップLED	7	01
* LD753	WC507200	LED (chip) Green	TLGV1020 J,K	チップLED	HPF	01
LD755	WA587900	LED (chip) Red	TLSU1020(T14)	チップLED	OVER-7	01

*: New Parts

RANK: Japan only

REF NO.	PART NO.	DESCRIPTION	部 品 名	REMARKS	QTY	RANK
LD756	WC153200	LED (chip) Yellow	TLYV1020(T14,JK)	チ ッ プ L E D	-6-7	
LD757	WC153200	LED (chip) Yellow	TLYV1020(T14,JK)	チ ッ プ L E D	-12-7	
LD758	WC153200	LED (chip) Yellow	TLYV1020(T14,JK)	チ ッ プ L E D	-18-7	
* LD759	WC507200	LED (chip) Green	TLGV1020 J,K	チ ッ プ L E D	-30-7	01
* LD760	WC507200	LED (chip) Green	TLGV1020 J,K	チ ッ プ L E D	-48-7	01
* LD761	WC507200	LED (chip) Green	TLGV1020 J,K	チ ッ プ L E D	HPF-7	01
LD851	WA587900	LED (chip) Red	TLSU1020(T14)	チ ッ プ L E D	+48V-8	01
* LD852	WC507200	LED (chip) Green	TLGV1020 J,K	チ ッ プ L E D	8	01
LD853	WA587900	LED (chip) Red	TLSU1020(T14)	チ ッ プ L E D	+48V	01
LD855	WA587900	LED (chip) Red	TLSU1020(T14)	チ ッ プ L E D	OVER-8	01
LD856	WC153200	LED (chip) Yellow	TLYV1020(T14,JK)	チ ッ プ L E D	-6-8	
LD857	WC153200	LED (chip) Yellow	TLYV1020(T14,JK)	チ ッ プ L E D	-12-8	
LD858	WC153200	LED (chip) Yellow	TLYV1020(T14,JK)	チ ッ プ L E D	-18-8	
* LD859	WC507200	LED (chip) Green	TLGV1020 J,K	チ ッ プ L E D	-30-8	01
* LD860	WC507200	LED (chip) Green	TLGV1020 J,K	チ ッ プ L E D	-48-8	01
* LD861	WC507200	LED (chip) Green	TLGV1020 J,K	チ ッ プ L E D	HPF-8	01
R010	RD257100	Carbon Resistor (chip)	10.0K 0.1 J	チ ッ プ 抵 抗		01
R011	RD257100	Carbon Resistor (chip)	10.0K 0.1 J	チ ッ プ 抵 抗		01
R012	RD257620	Carbon Resistor (chip)	62.0K 0.1 J	チ ッ プ 抵 抗		01
R013	RD257120	Carbon Resistor (chip)	12.0K 0.1 J	チ ッ プ 抵 抗		01
R014	V1195800	Metal Film Resistor (chip)	2.4K 1/10 D	チ ッ プ 金 被 抵 抗		01
R015	V1198600	Metal Film Resistor (chip)	33.0K 1/10 D	チ ッ プ 金 被 抵 抗		01
R016	RD257150	Carbon Resistor (chip)	15.0K 0.1 J	チ ッ プ 抵 抗		01
R017	RD257100	Carbon Resistor (chip)	10.0K 0.1 J	チ ッ プ 抵 抗		01
R020	RD257220	Carbon Resistor (chip)	22.0K 0.1 J	チ ッ プ 抵 抗		01
R021	RD257220	Carbon Resistor (chip)	22.0K 0.1 J	チ ッ プ 抵 抗		01
R022	RD257750	Carbon Resistor (chip)	75.0K 0.1 J	チ ッ プ 抵 抗		01
R023	V1194900	Metal Film Resistor (chip)	1.0K 1/10 D	チ ッ プ 金 被 抵 抗		01
R024	V1197700	Metal Film Resistor (chip)	13.0K 1/10 D	チ ッ プ 金 被 抵 抗		01
R025	RD257150	Carbon Resistor (chip)	15.0K 0.1 J	チ ッ プ 抵 抗		01
R026	RD257100	Carbon Resistor (chip)	10.0K 0.1 J	チ ッ プ 抵 抗		01
R030	RD257100	Carbon Resistor (chip)	10.0K 0.1 J	チ ッ プ 抵 抗		01
R031	RD257100	Carbon Resistor (chip)	10.0K 0.1 J	チ ッ プ 抵 抗		01
R032	V1195800	Metal Film Resistor (chip)	2.4K 1/10 D	チ ッ プ 金 被 抵 抗		01
R033	RD257620	Carbon Resistor (chip)	62.0K 0.1 J	チ ッ プ 抵 抗		01
R034	RD257120	Carbon Resistor (chip)	12.0K 0.1 J	チ ッ プ 抵 抗		01
R035	V1197500	Metal Film Resistor (chip)	11.0K 1/10 D	チ ッ プ 金 被 抵 抗		01
R036	RD256510	Carbon Resistor (chip)	5.1K 0.1 J	チ ッ プ 抵 抗		01
R037	RD257100	Carbon Resistor (chip)	10.0K 0.1 J	チ ッ プ 抵 抗		01
R040	V1196000	Metal Film Resistor (chip)	3.0K 1/10 D	チ ッ プ 金 被 抵 抗		01
R041	V1199200	Metal Film Resistor (chip)	56.0K 1/10 D	チ ッ プ 金 被 抵 抗		01
R042	V1195300	Metal Film Resistor (chip)	1.5K 1/10 D	チ ッ プ 金 被 抵 抗		01
R043	RD258100	Carbon Resistor (chip)	100.0K 0.1 J	チ ッ プ 抵 抗		01
R044	V1194900	Metal Film Resistor (chip)	1.0K 1/10 D	チ ッ プ 金 被 抵 抗		01
R050	WA027300	Metal Film Resistor (chip)	18.0K 1/10 D	チ ッ プ 金 皮 抵 抗		01
R051	WA026200	Metal Film Resistor (chip)	4.7K 1/10 D	チ ッ プ 金 皮 抵 抗		01
R052	V1196900	Metal Film Resistor (chip)	6.2K 1/10 D	チ ッ プ 金 被 抵 抗		01
R053	WA026700	Metal Film Resistor (chip)	10.0K 1/10 D	チ ッ プ 金 皮 抵 抗		01
R054	RD257120	Carbon Resistor (chip)	12.0K 0.1 J	チ ッ プ 抵 抗		01
R055	RD256390	Carbon Resistor (chip)	3.9K 0.1 J	チ ッ プ 抵 抗		01
R056	RD257100	Carbon Resistor (chip)	10.0K 0.1 J	チ ッ プ 抵 抗		01
R154	RD258100	Carbon Resistor (chip)	100.0K 0.1 J	チ ッ プ 抵 抗		01
R160	V1197800	Metal Film Resistor (chip)	15.0K 1/10 D	チ ッ プ 金 被 抵 抗		01
R161	V1197100	Metal Film Resistor (chip)	7.5K 1/10 D	チ ッ プ 金 被 抵 抗		01
R162	V1196400	Metal Film Resistor (chip)	3.9K 1/10 D	チ ッ プ 金 被 抵 抗		01
R163	V1195600	Metal Film Resistor (chip)	2.0K 1/10 D	チ ッ プ 金 被 抵 抗		01
R164	V1197800	Metal Film Resistor (chip)	15.0K 1/10 D	チ ッ プ 金 被 抵 抗		01
R165	V1197100	Metal Film Resistor (chip)	7.5K 1/10 D	チ ッ プ 金 被 抵 抗		01
R166	V1196400	Metal Film Resistor (chip)	3.9K 1/10 D	チ ッ プ 金 被 抵 抗		01
R167	V1195600	Metal Film Resistor (chip)	2.0K 1/10 D	チ ッ プ 金 被 抵 抗		01
R168	V1197100	Metal Film Resistor (chip)	7.5K 1/10 D	チ ッ プ 金 被 抵 抗		01
R169	V1196400	Metal Film Resistor (chip)	3.9K 1/10 D	チ ッ プ 金 被 抵 抗		01
R170	V1195600	Metal Film Resistor (chip)	2.0K 1/10 D	チ ッ プ 金 被 抵 抗		01
R901	RD357100	Carbon Resistor (chip)	10.0K 63M J	チ ッ プ 抵 抗		01
-904	RD357100	Carbon Resistor (chip)	10.0K 63M J	チ ッ プ 抵 抗		01
R905	RD356150	Carbon Resistor (chip)	1.5K 63M J	チ ッ プ 抵 抗		01
R906	RD354100	Carbon Resistor (chip)	10.0 63M J	チ ッ プ 抵 抗		01
R907	RD354100	Carbon Resistor (chip)	10.0 63M J	チ ッ プ 抵 抗		01
R908	RD355470	Carbon Resistor (chip)	470.0 63M J	チ ッ プ 抵 抗		01
R909	RD355470	Carbon Resistor (chip)	470.0 63M J	チ ッ プ 抵 抗		01

*: New Parts

RANK: Japan only

REF NO.	PART NO.	DESCRIPTION	部 品 名	REMARKS	QTY	RANK	
R910	RD354560	Carbon Resistor (chip)	56.0 63M J	チ ッ プ 抵 抗		01	
R911	RD350000	Carbon Resistor (chip)	0 63M J	チ ッ プ 抵 抗		01	
R912	RD354560	Carbon Resistor (chip)	56.0 63M J	チ ッ プ 抵 抗		01	
R913	RD350000	Carbon Resistor (chip)	0 63M J	チ ッ プ 抵 抗		01	
R914	RD354560	Carbon Resistor (chip)	56.0 63M J	チ ッ プ 抵 抗		01	
R915	RD350000	Carbon Resistor (chip)	0 63M J	チ ッ プ 抵 抗		01	
R916	RD354560	Carbon Resistor (chip)	56.0 63M J	チ ッ プ 抵 抗		01	
R917	RD350000	Carbon Resistor (chip)	0 63M J	チ ッ プ 抵 抗		01	
R918	RD357100	Carbon Resistor (chip)	10.0K 63M J	チ ッ プ 抵 抗		01	
R919	RD355110	Carbon Resistor (chip)	110.0 63M J	チ ッ プ 抵 抗		01	
R920	RD350000	Carbon Resistor (chip)	0 63M J	チ ッ プ 抵 抗		01	
-922	RD350000	Carbon Resistor (chip)	0 63M J	チ ッ プ 抵 抗		01	
R951	RD355470	Carbon Resistor (chip)	470.0 63M J	チ ッ プ 抵 抗		01	
R952	RD355470	Carbon Resistor (chip)	470.0 63M J	チ ッ プ 抵 抗		01	
R953	RD354100	Carbon Resistor (chip)	10.0 63M J	チ ッ プ 抵 抗		01	
R954	RD354100	Carbon Resistor (chip)	10.0 63M J	チ ッ プ 抵 抗		01	
R955	RD357100	Carbon Resistor (chip)	10.0K 63M J	チ ッ プ 抵 抗		01	
RA901	RE047100	Resistor Array	10KX4	抵 抗 ア レ イ		01	
RA902	RE047100	Resistor Array	10KX4	抵 抗 ア レ イ		01	
⚠	SW001	V3127000	Push Switch	ESB92S23B J.U.C.S	ブ ッ シ ュ S W	POWER ON/OFF	02
*	SW151	VR972100	Slide Switch	SSSF022-S06N1	ス ラ イ ド S W	+48V MASTER OFF/ON	02
	SW160	VV056000	Tact Switch	SKQNAED010	タ ク ト S W	WORD CLOCK	01
	SW161	VV056000	Tact Switch	SKQNAED010	タ ク ト S W	1	01
	SW162	VV056000	Tact Switch	SKQNAED010	タ ク ト S W	2	01
	SW163	VV056000	Tact Switch	SKQNAED010	タ ク ト S W	3	01
	SW164	VV056000	Tact Switch	SKQNAED010	タ ク ト S W	4	01
	SW165	VV056000	Tact Switch	SKQNAED010	タ ク ト S W	5	01
	SW166	VV056000	Tact Switch	SKQNAED010	タ ク ト S W	6	01
	SW167	VV056000	Tact Switch	SKQNAED010	タ ク ト S W	7	01
	SW168	VV056000	Tact Switch	SKQNAED010	タ ク ト S W	8	01
	SW169	VV056000	Tact Switch	SKQNAED010	タ ク ト S W	+48V	01
	SW170	VV056000	Tact Switch	SKQNAED010	タ ク ト S W	HPF	01
	SW901	VQ545800	Slide Switch	SSSF04	ス ラ イ ド S W	HA REMOTE PC/RS422	02
	TR010	VJ927100	Transistor	2SC2712 Y	ト ラ ン ジ ス タ		01
	TR020	VJ927100	Transistor	2SC2712 Y	ト ラ ン ジ ス タ		01
	TR030	VJ927100	Transistor	2SC2712 Y	ト ラ ン ジ ス タ		01
	TR050	VJ927100	Transistor	2SC2712 Y	ト ラ ン ジ ス タ		01
	TR051	VV556500	Transistor	2SA1037AK Q,R,S	ト ラ ン ジ ス タ		01
	W951	V8964600	Jumper Wire	FVP=2.0C26SB4-60	2 6 7 8 ジャンパーワイヤ		01
	ZD010	VQ296000	Zener Diode	MTZJ10B 10.0V	ツェナーダイオード		01
	ZD020	VQ554500	Zener Diode	MTZJ8.2B 8.2V	ツェナーダイオード		01
	ZD030	VQ296000	Zener Diode	MTZJ10B 10.0V	ツェナーダイオード		01
	ZD050	VQ296000	Zener Diode	MTZJ10B 10.0V	ツェナーダイオード		01
⚠ *		WC518600	Power Supply Unit	LEA75F-24 J,UL,CSA	電 源 ユ ニ ッ ト		20
⚠		V5065200	AC Inlet	3P M1908-C	A C イ ン レ ッ ト 3 P	AC IN	03
⚠		VN103500	Lithium Battery	CR2032	リ チ ウ ム 電 池		03

*: New Parts

RANK: Japan only

AD CONVERTER WITH REMOTE PREAMP

AD8HR

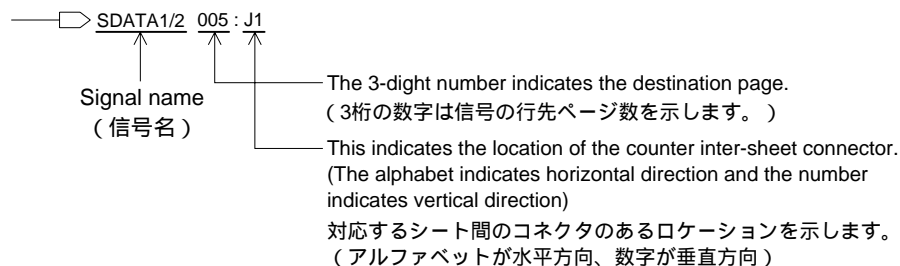
CIRCUIT DIAGRAM

■ CONTENTS(目次)

BLOCK DIAGRAM(ブロックダイアグラム).....	3
OVERALL CONNECTOR CIRCUIT DIAGRAM (総コネクタ接続回路図).....	4
OVERALL CIRCUIT DIAGRAM (総回路図)	
COMB	5
HIC-HA	6
MAIN (001~008)	7
PN	15
SUB	16
SW,DC	17

Notation for Circuit Diagrams(回路図表記上の注意)

1. How to identify inter-sheet connectors(シート間コネクタの読み方について)

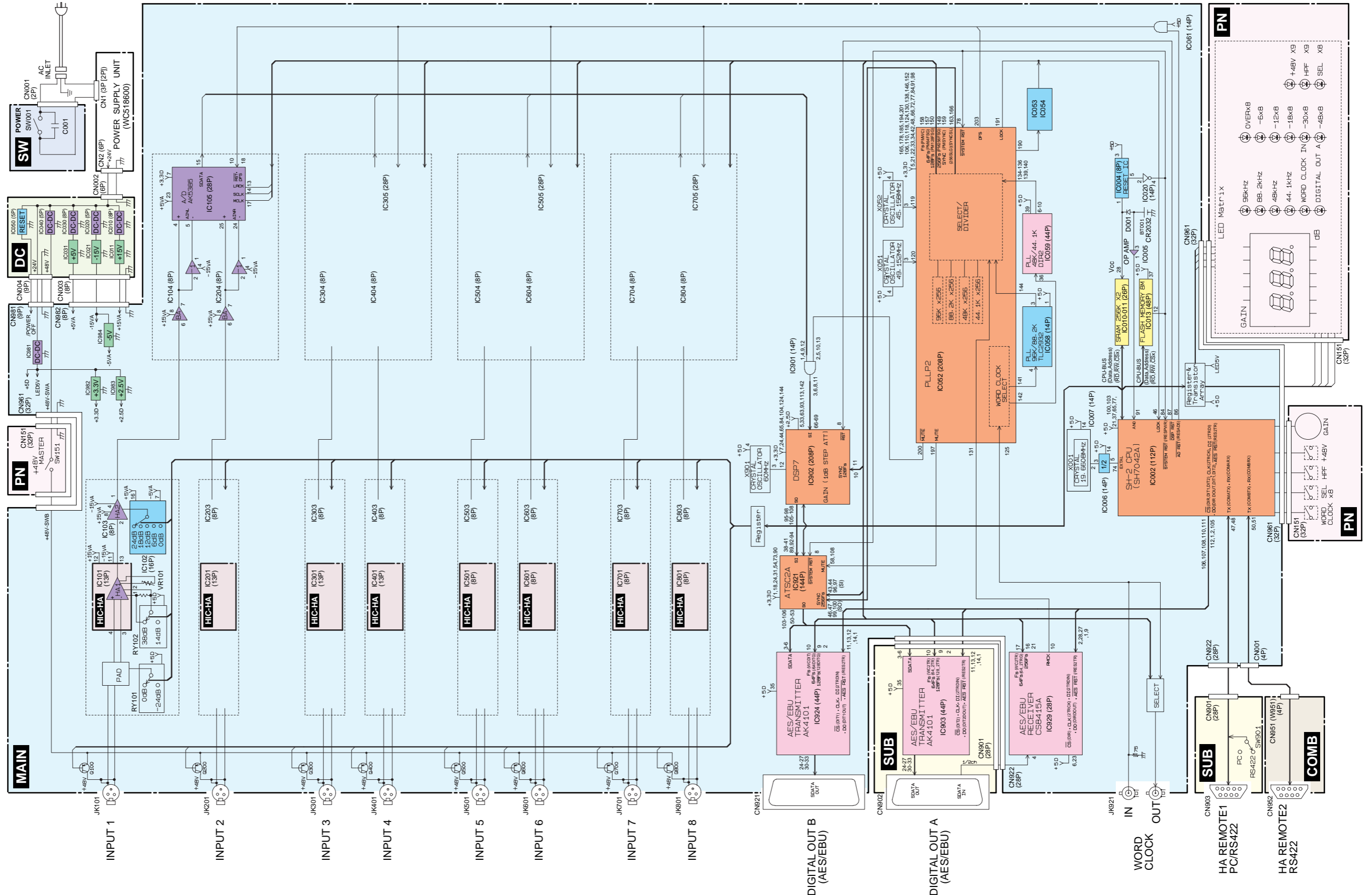


Note: See parts list for details of circuit board component parts.

注 : シートの部品詳細はパーツリストをご参照ください。

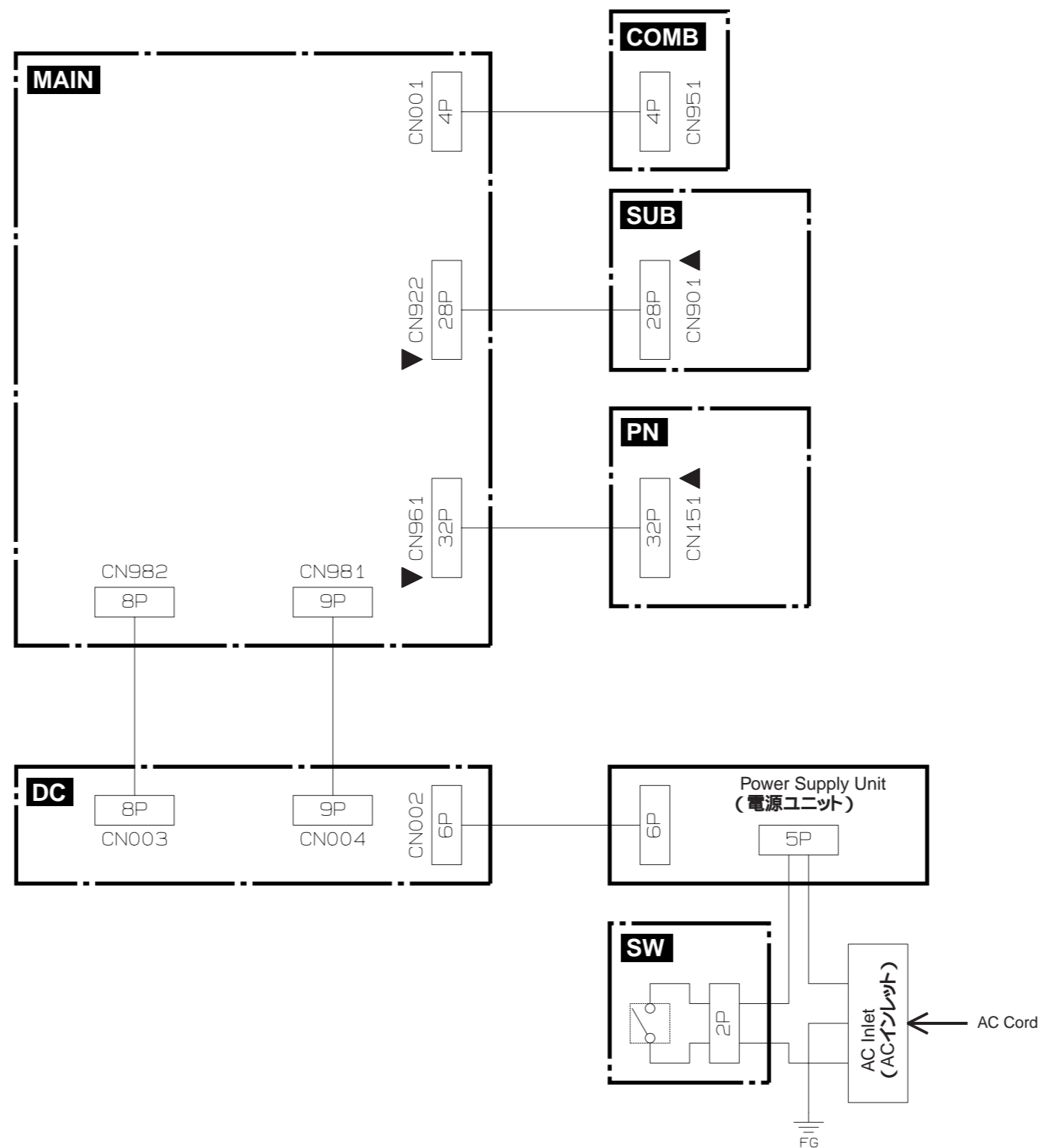
BLOCK DIAGRAM (AD8HR)

AD8HR



OVERALL CONNECTOR CIRCUIT DIAGRAM (AD8HR)

AD8HR

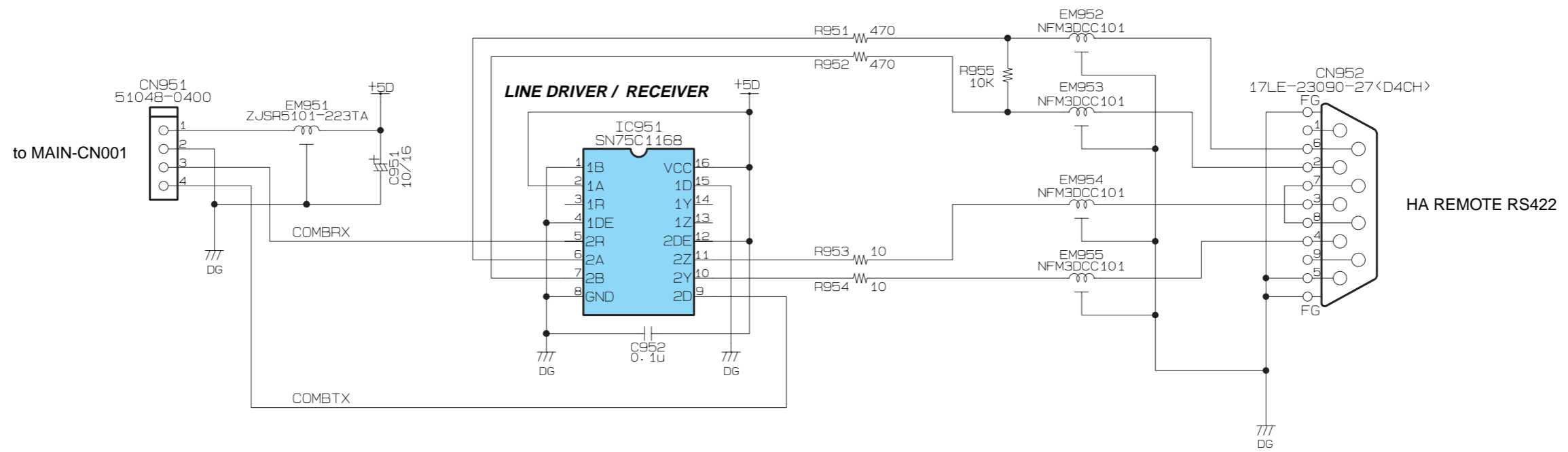


Note) When the ▲ mark in the diagram indicates pin 1 of the connector, connectors are connected pin 1 to pin n, pin 2 to pin (n-1),..., pin (n-1) to pin 2, and pin n to pin 1 where "n" represents the last pin number of the connector. Connectors without the ▲ mark are connected pin 1 to pin 1, ..., and pin n to pin n.

図中の印はコネクタの1ピンを表し、1ピンとnピン、2ピンと(n-1)ピン、...、(n-1)ピンと2ピン、nピンと1ピンが接続されます。印のないコネクタ同士は、1ピンと1ピン、...、nピンとnピンが接続されます。なお、nはコネクタのピン数を表示します。

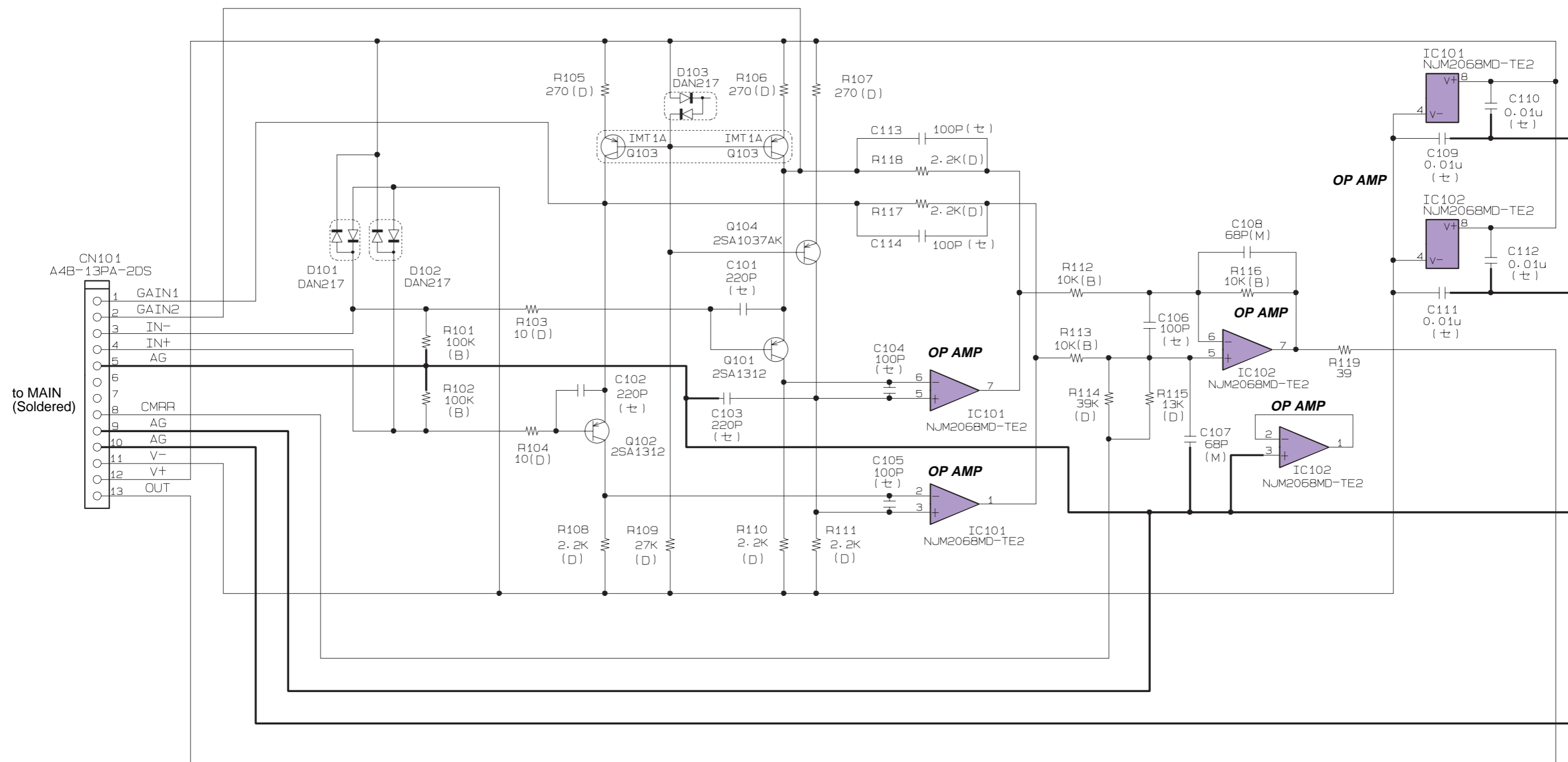
COMB CIRCUIT BOARD (AD8HR)

AD8HR



HIC-HA CIRCUIT BOARD (AD8HR)

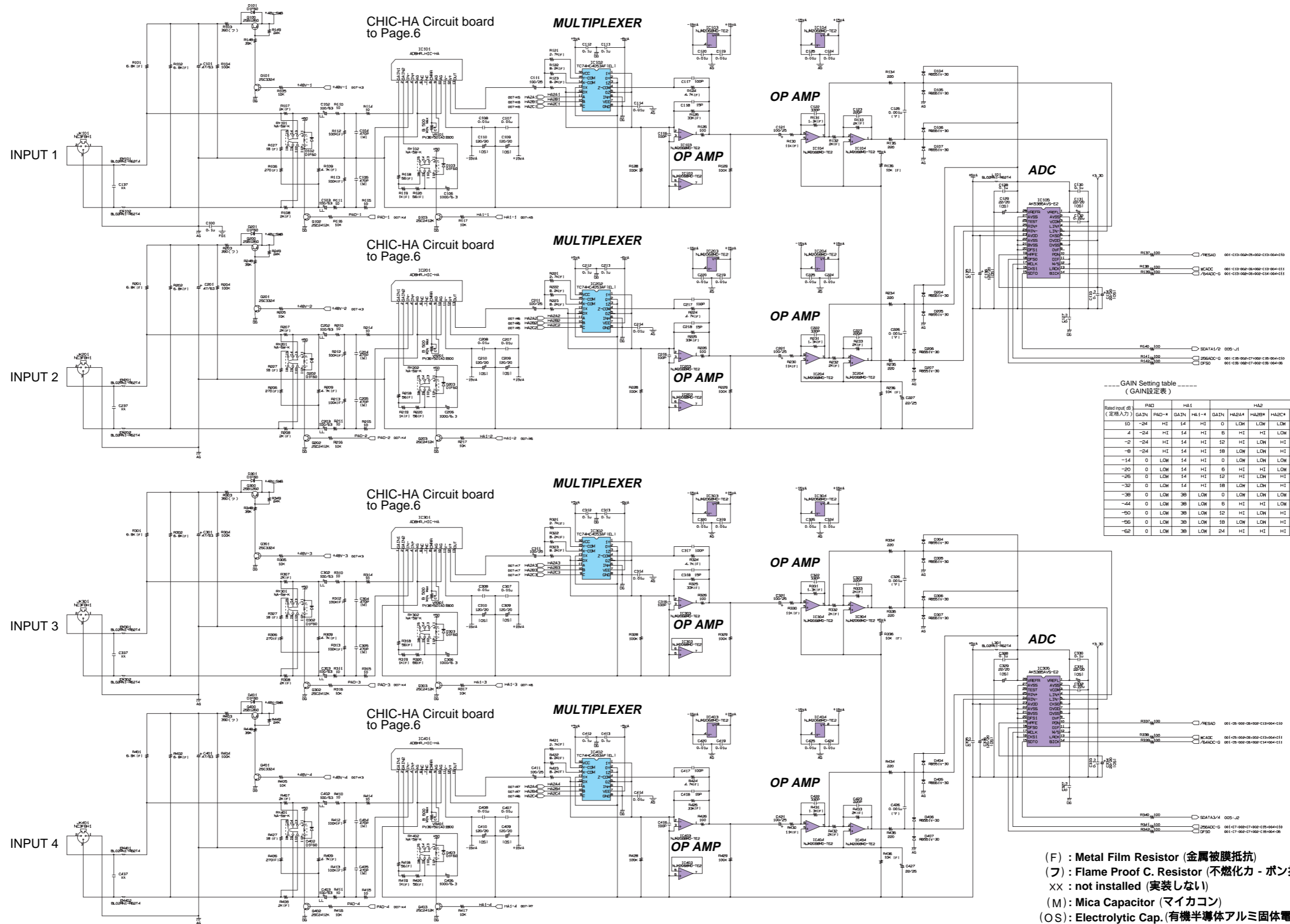
AD8HR



- (セ) : Ceramic Capacitor (セラミックコンデンサー)
- (B) : Metal Film Resistor (chip) (チップ金属被膜抵抗)
- (D) : Metal Film Resistor (chip) (チップ金属被膜抵抗)
- (M) : Mica Capacitor (マイカコン)

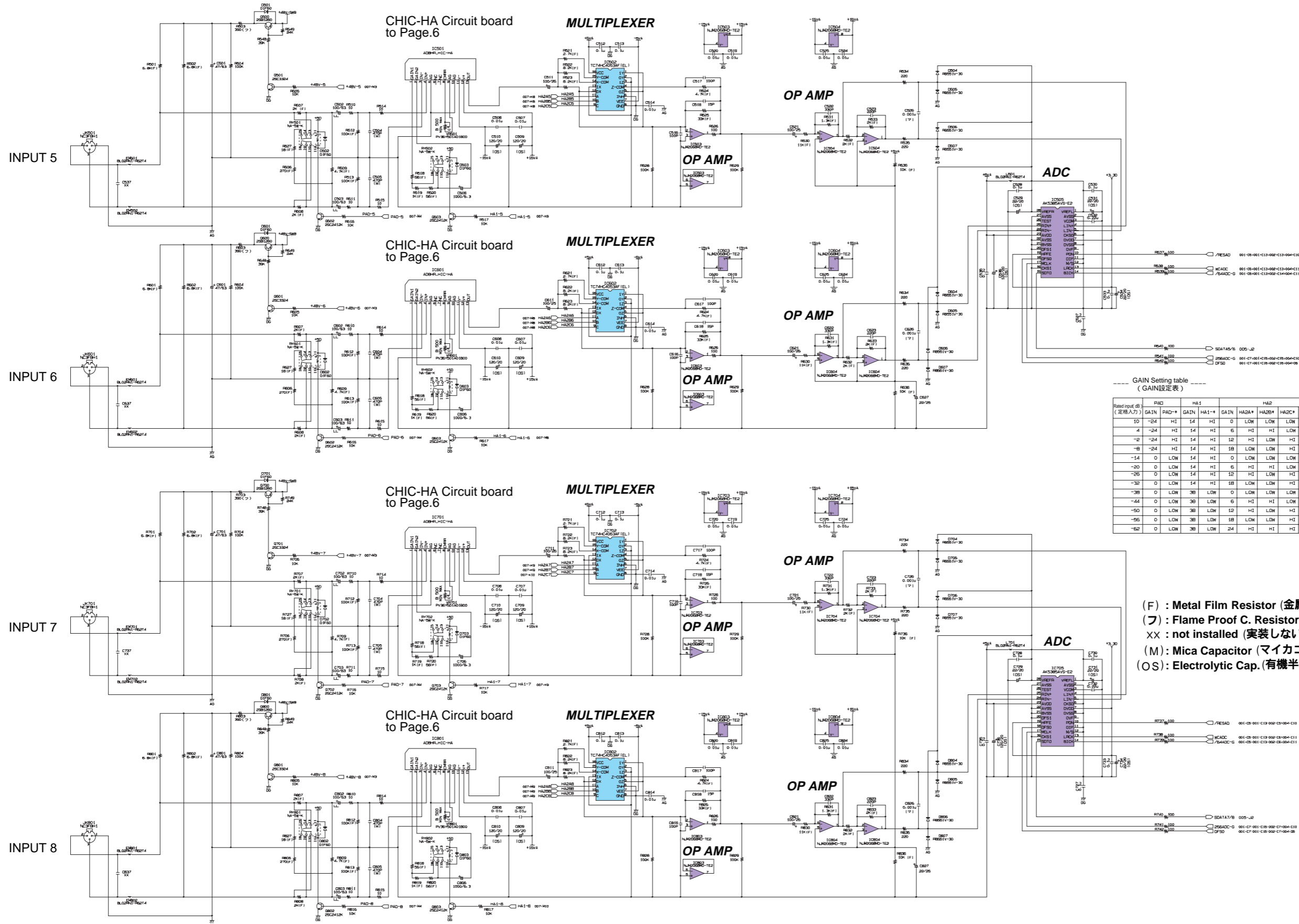
MAIN CIRCUIT BOARD 001 (AD8HR)

AD8HR



MAIN CIRCUIT BOARD 002 (AD8HR)

AD8HR



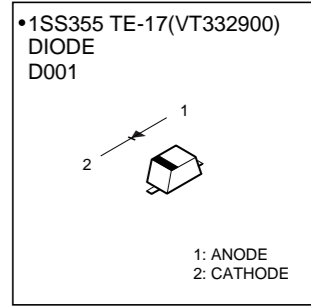
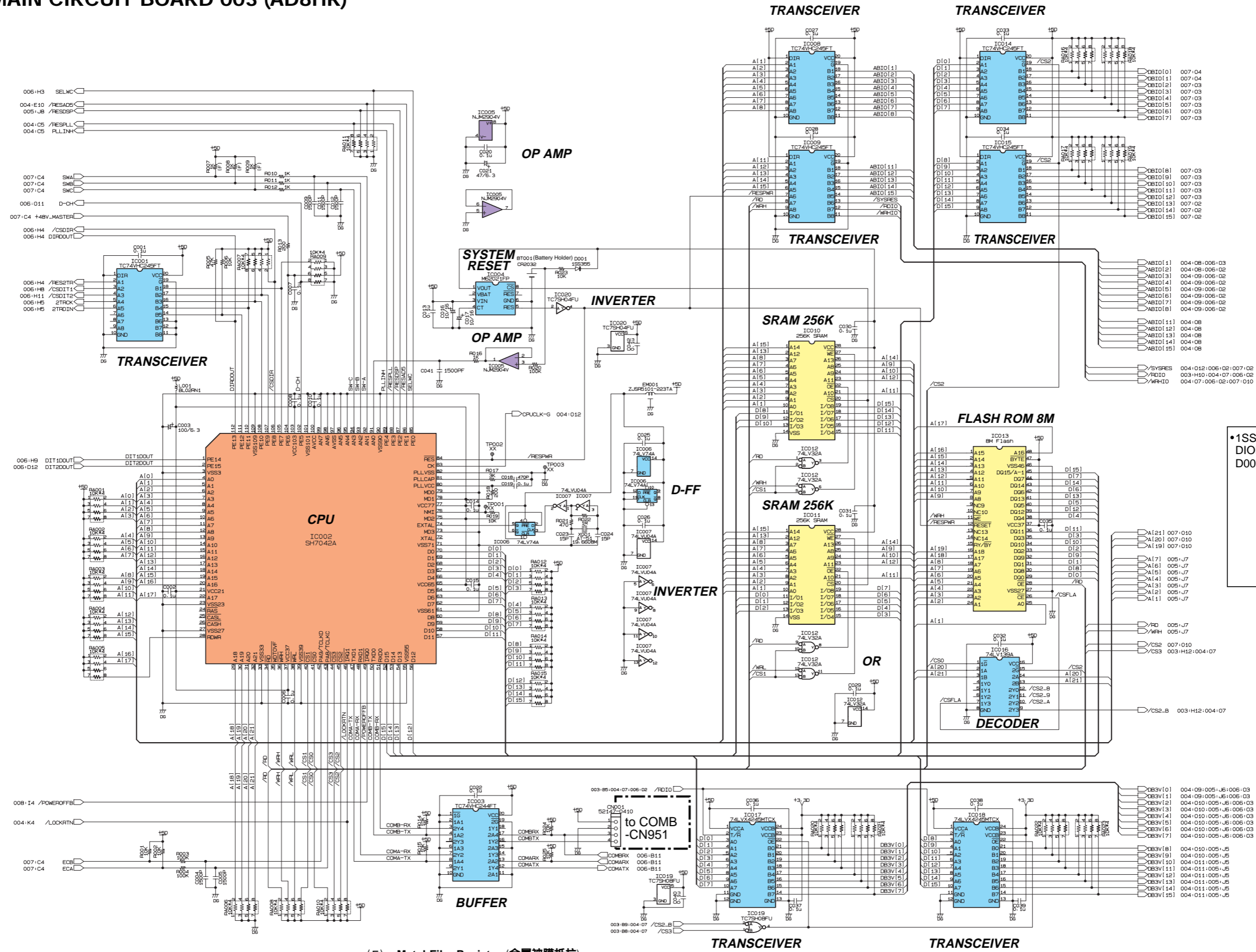
--- GAIN Setting table ---
(GAIN設定表)

Input range (V) (定規入力)	GAIN	PAD	H41	H42	H43	H44	H45	H46	H47	H48	H49	H50	H51	H52	H53	H54	H55	H56	H57	H58	H59	H60	X	Y	Z
10	-24	HI	14	HI	0	LOW	LOW	LOW	LOW	OX	OX	OX	OX	OX	OX	OX	OX	OX	OX	OX	OX	OX	OX	OX	OX
4	-24	HI	14	HI	6	HI	HI	HI	HI	OX	OX	OX	OX	OX	OX	OX	OX	OX	OX	OX	OX	OX	OX	OX	OX
-2	-24	HI	14	HI	12	HI	HI	HI	HI	OX	OX	OX	OX	OX	OX	OX	OX	OX	OX	OX	OX	OX	OX	OX	OX
-8	-24	HI	14	HI	18	LOW	LOW	LOW	LOW	OX	OX	OX	OX	OX	OX	OX	OX	OX	OX	OX	OX	OX	OX	OX	OX
-14	0	LOW	14	HI	0	LOW	LOW	LOW	LOW	OX	OX	OX	OX	OX	OX	OX	OX	OX	OX	OX	OX	OX	OX	OX	OX
-20	0	LOW	14	HI	6	HI	HI	HI	HI	OX	OX	OX	OX	OX	OX	OX	OX	OX	OX	OX	OX	OX	OX	OX	OX
-26	0	LOW	14	HI	12	HI	HI	HI	HI	OX	OX	OX	OX	OX	OX	OX	OX	OX	OX	OX	OX	OX	OX	OX	OX
-32	0	LOW	14	HI	18	LOW	LOW	LOW	LOW	OX	OX	OX	OX	OX	OX	OX	OX	OX	OX	OX	OX	OX	OX	OX	OX
-38	0	LOW	38	LOW	0	LOW	LOW	LOW	LOW	OX	OX	OX	OX	OX	OX	OX	OX	OX	OX	OX	OX	OX	OX	OX	OX
-44	0	LOW	38	LOW	6	HI	HI	HI	HI	OX	OX	OX	OX	OX	OX	OX	OX	OX	OX	OX	OX	OX	OX	OX	OX
-50	0	LOW	38	LOW	12	HI	HI	HI	HI	OX	OX	OX	OX	OX	OX	OX	OX	OX	OX	OX	OX	OX	OX	OX	OX
-56	0	LOW	38	LOW	18	LOW	LOW	LOW	LOW	OX	OX	OX	OX	OX	OX	OX	OX	OX	OX	OX	OX	OX	OX	OX	OX
-62	0	LOW	38	LOW	24	HI	HI	HI	HI	OX	OX	OX	OX	OX	OX	OX	OX	OX	OX	OX	OX	OX	OX	OX	OX

- (F) : Metal Film Resistor (金属被膜抵抗)
- (フ) : Flame Proof C. Resistor (不燃化カ - ボン抵抗)
- XX : not installed (実装しない)
- (M) : Mica Capacitor (マイカコン)
- (OS) : Electrolytic Cap. (有機半導体アルミ固体電解コンデンサ)

MAIN CIRCUIT BOARD 003 (AD8HR)

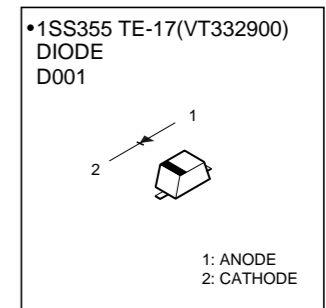
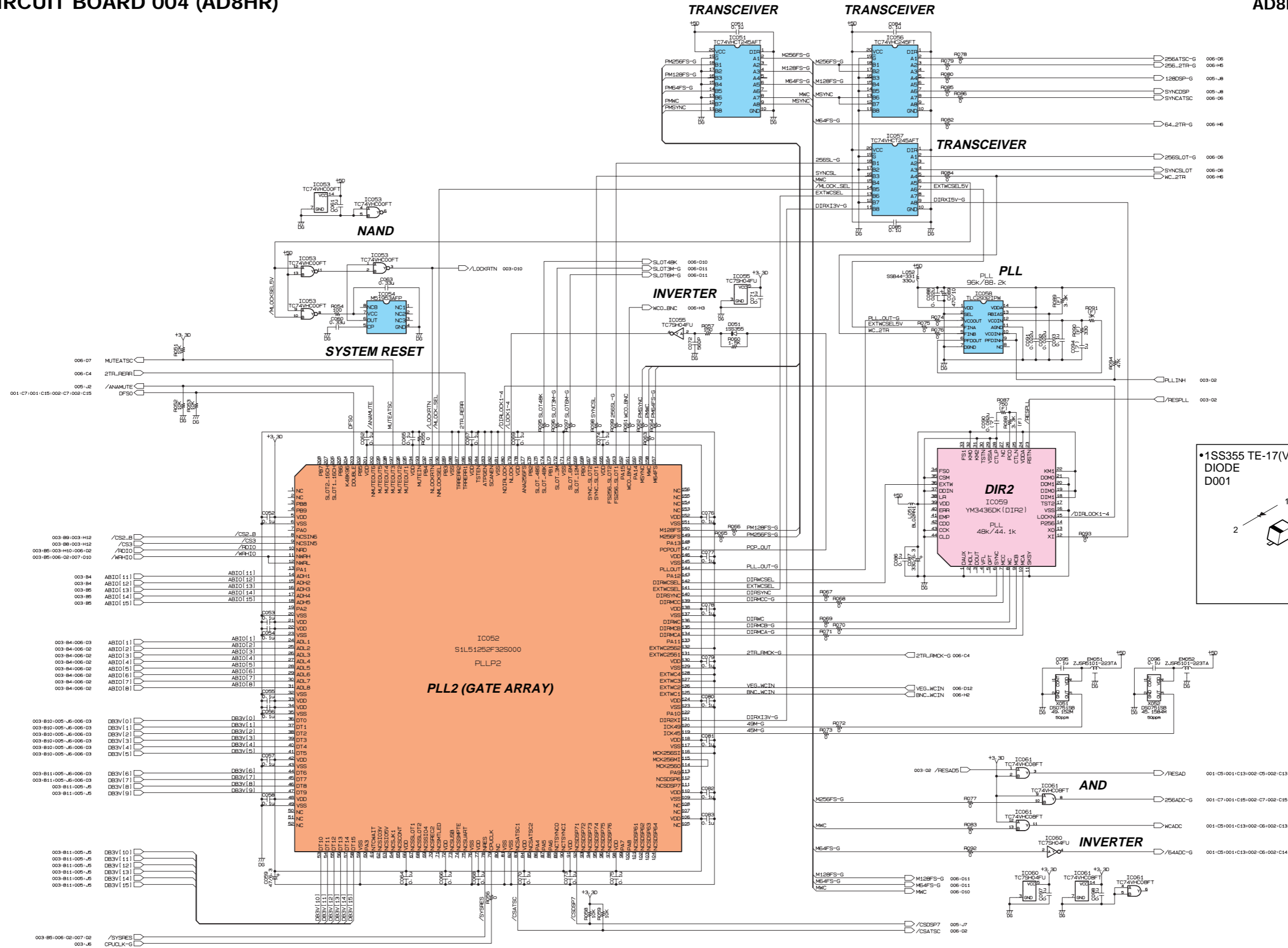
AD8HR



(F) : Metal Film Resistor (金属被膜抵抗)

MAIN CIRCUIT BOARD 004 (AD8HR)

AD8HR



(F) : Metal Film Resistor (金属被膜抵抗)
 (マ) : Mylar Capacitor (マイラーコンデンサー)
 (フ) : Film Capacitor (フィルムコンデンサ)

MAIN CIRCUIT BOARD 004 (AD8HR)

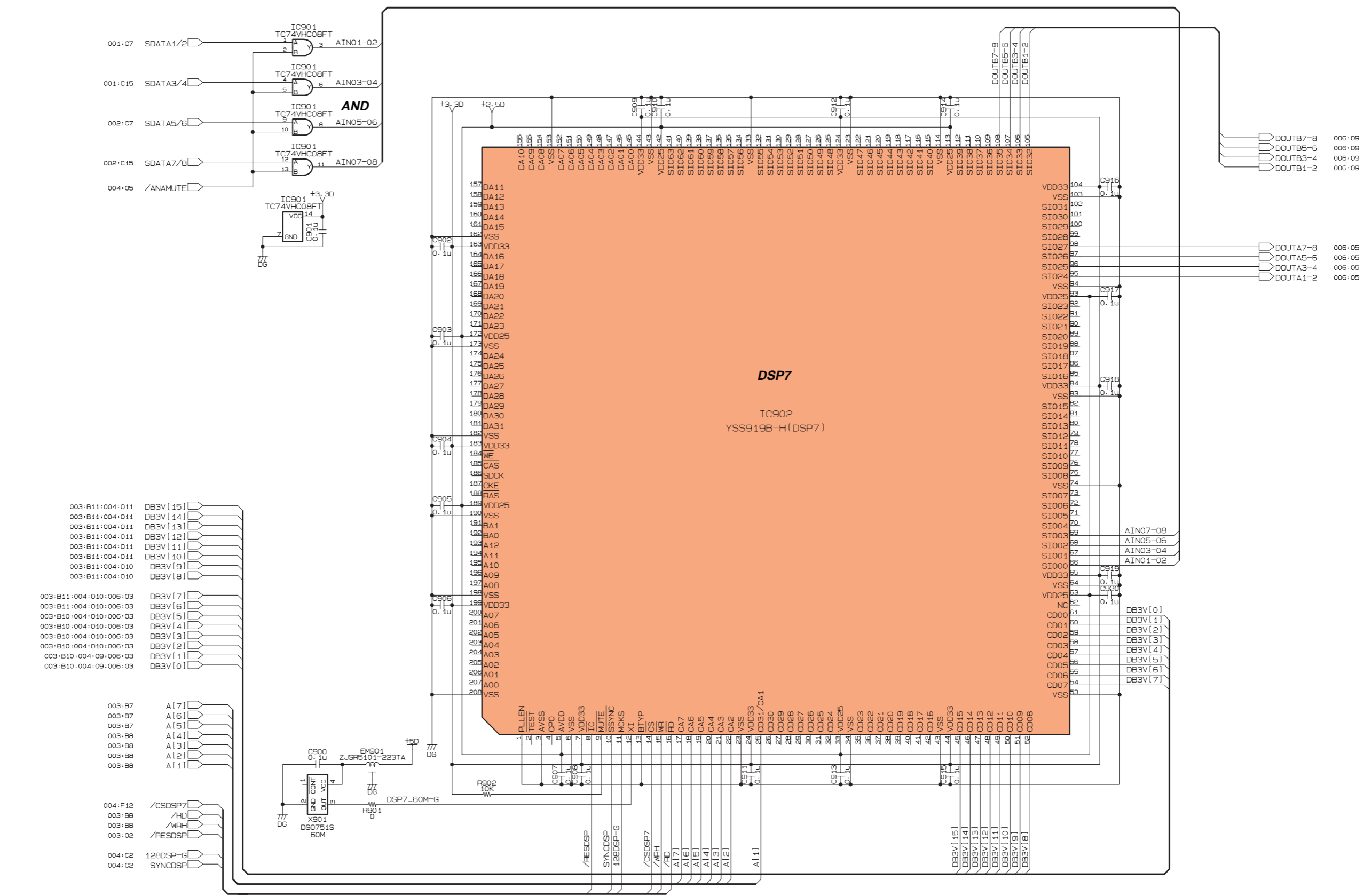
28CC1-8829580-4

MAIN CIRCUIT BOARD 005 (AD8HR)

AD8HR

28CC1-8829580-5

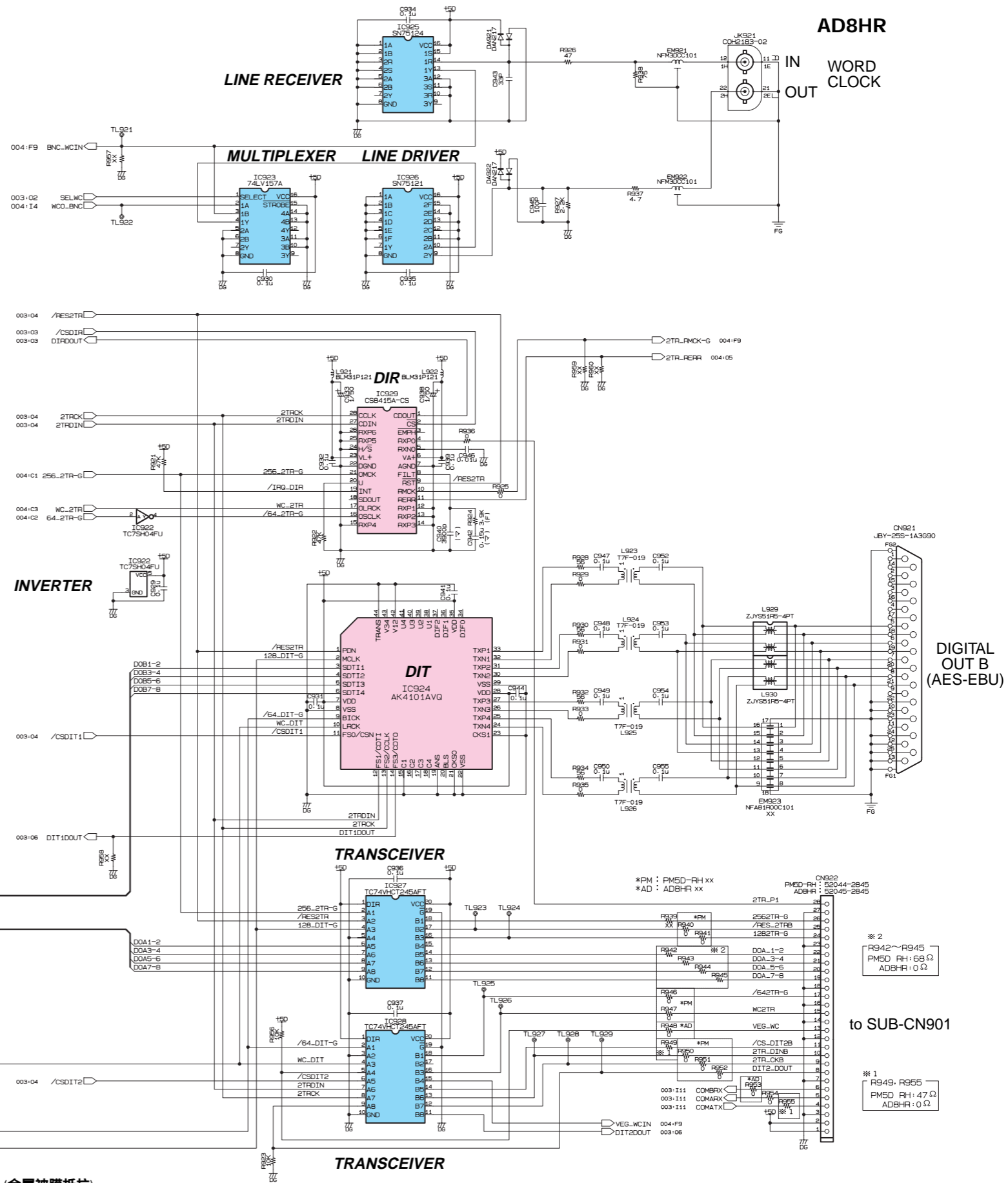
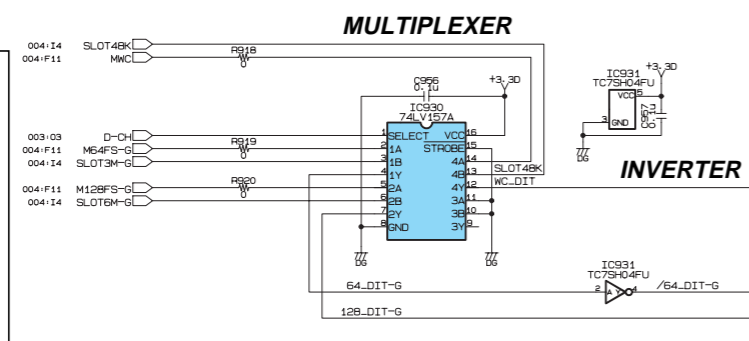
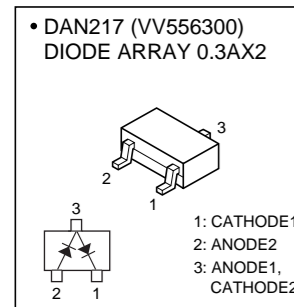
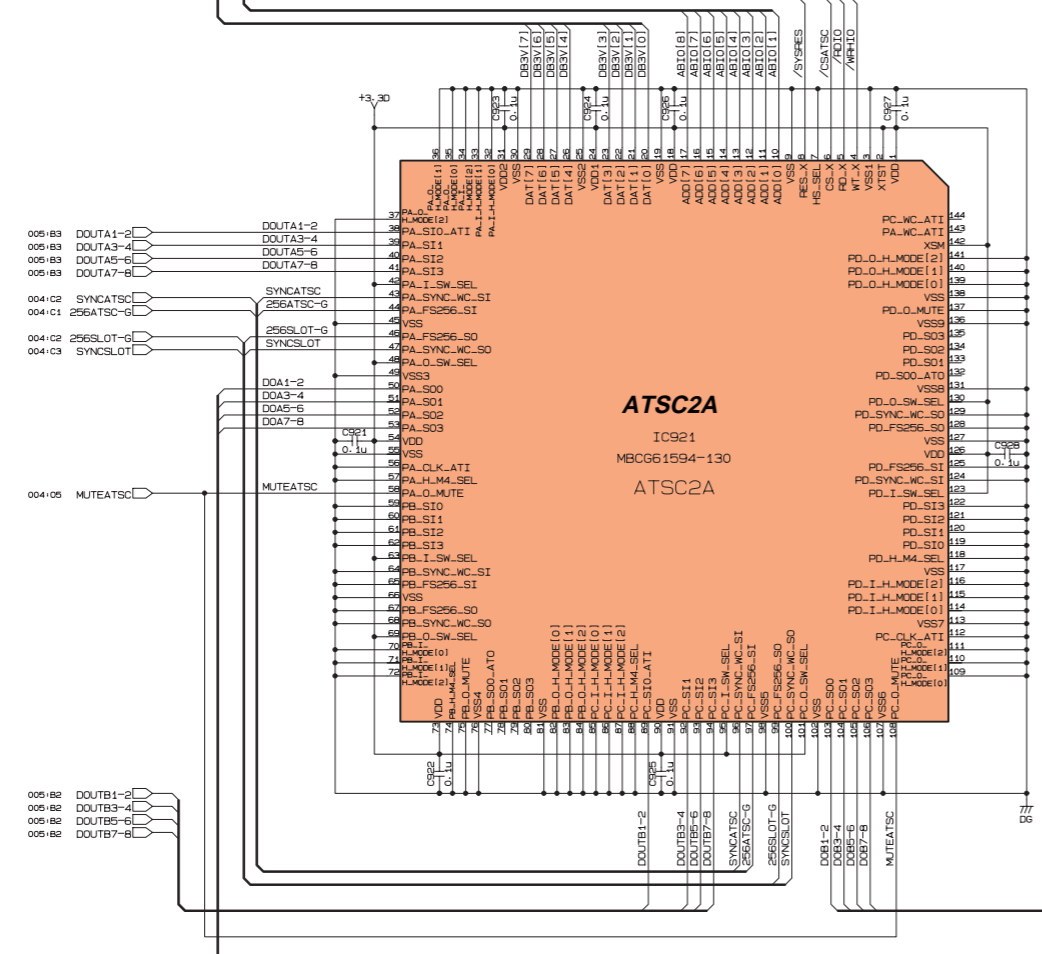
MAIN CIRCUIT BOARD 005 (AD8HR)



1
2
3
4
5
6
7
8

MAIN CIRCUIT BOARD 006 (AD8HR)

AD8HR



(F) : Metal Film Resistor (金属被膜抵抗)
 (マ) : Mylar Capacitor (マイラーコンデンサー)
 XX : not installed (実装しない)

28CC1-8829580-6 4

MAIN CIRCUIT BOARD 006 (AD8HR)

to SUB-CN901

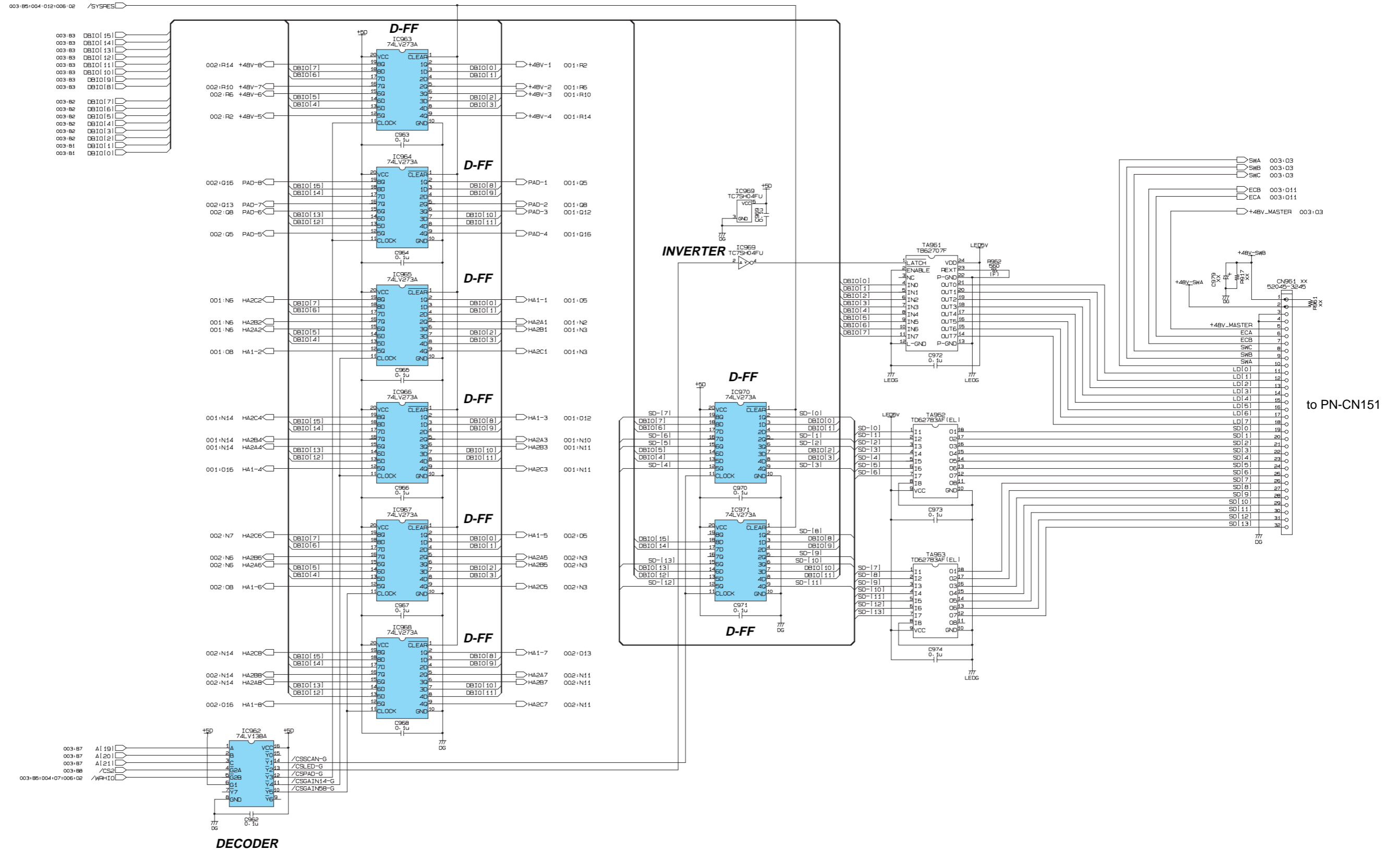
*PM : PMSD-RH xx
 *AD : AD8HR xx

※ 2 R942~R945 PMSD RH: 68Ω AD8HR: 0Ω

※ 1 R949, R955 PMSD RH: 47Ω AD8HR: 0Ω

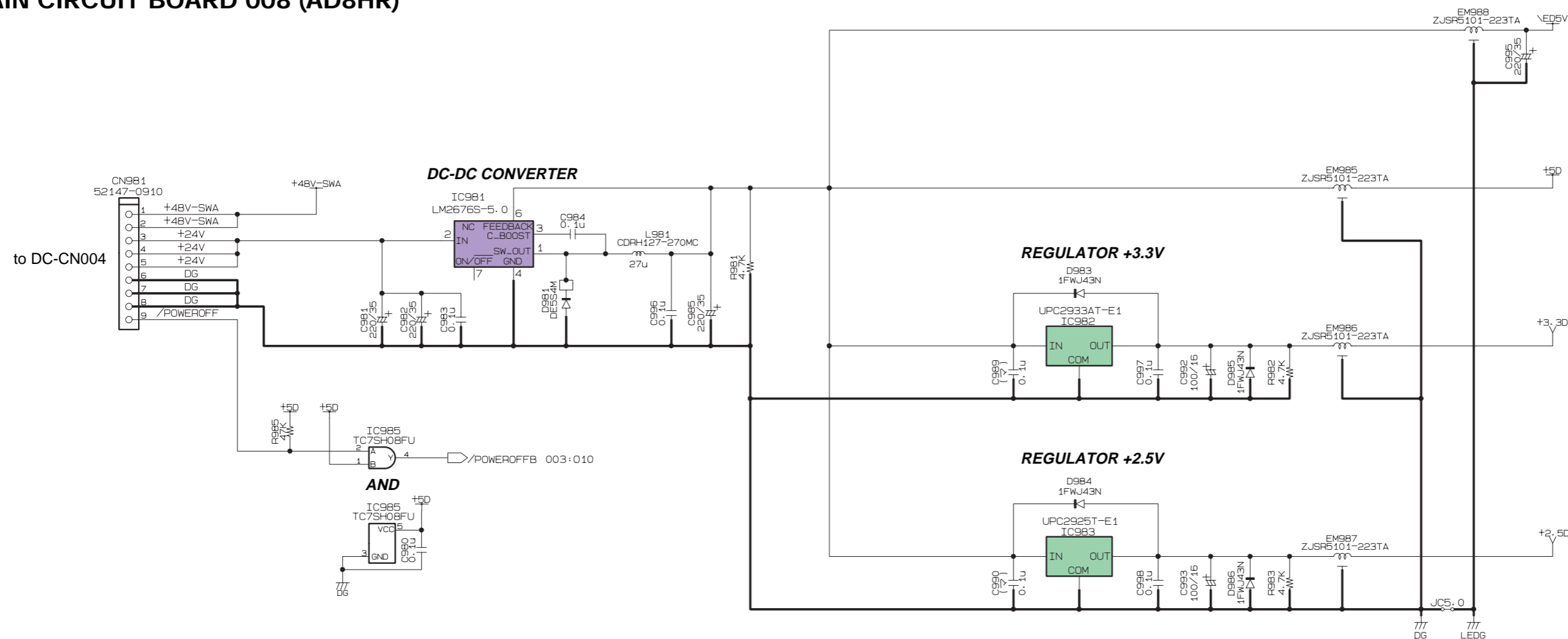
MAIN CIRCUIT BOARD 007 (AD8HR)

AD8HR



MAIN CIRCUIT BOARD 008 (AD8HR)

AD8HR



- LM2676SX-5.0 (X3508A00)
DC-DC CONVERTER
IC981
- µPC2933AT-E1 (X0638A00)
REGULATOR +3.3V
IC982
- µPC2925T-E1 (X0637A00)
REGULATOR +2.5V
IC983

Pinout for IC981: 1: SWITCH OUTPUT, 2: INPUT, 3: C BOOST, 4: GROUND, 5: NO CONNECTION, 6: FEEDBACK, 7: ON/OFF. Tab is Ground.

Pinout for IC982: 1: V in, 2: GND, 3: V out, 4: GND.

Pinout for IC983: 1: V in, 2: GND, 3: V out, 4: GND.

- NJM79L05UA (XN086A00)
REGULATOR -5V
IC984

Pinout for IC984: 1: COMMON, 2: INPUT, 3: OUTPUT.

- DE5S4M (V2330500)
DIODE
D981

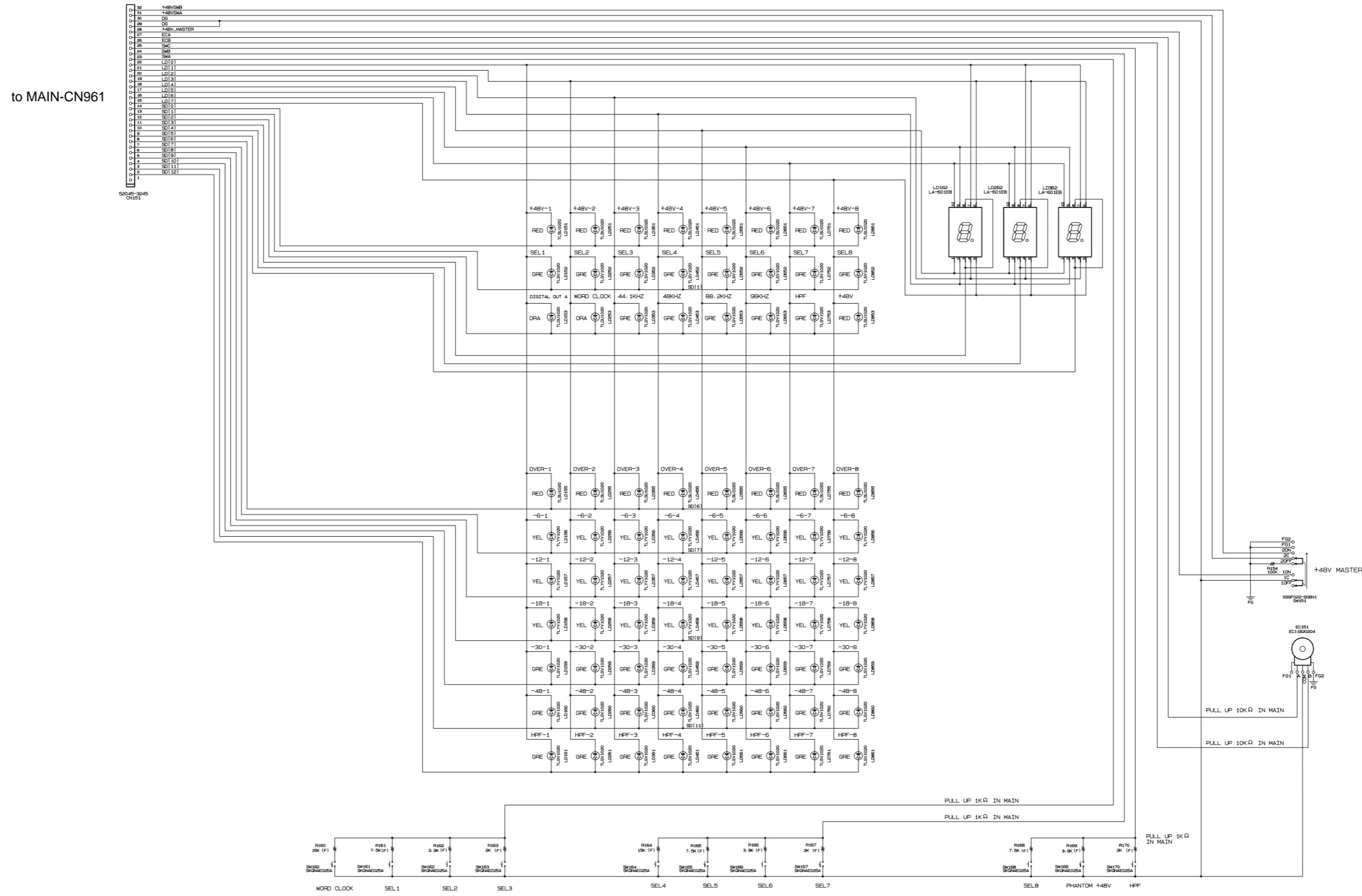
Pinout for D981: 1: V in, 2: GND, 3: V out, 4: GND.

- 1FWJ43IV (V5454500)
DIODE
D982-987

Pinout for D982-987: 1: ANODE, 2: CATHODE.

PN CIRCUIT BOARD (AD8HR)

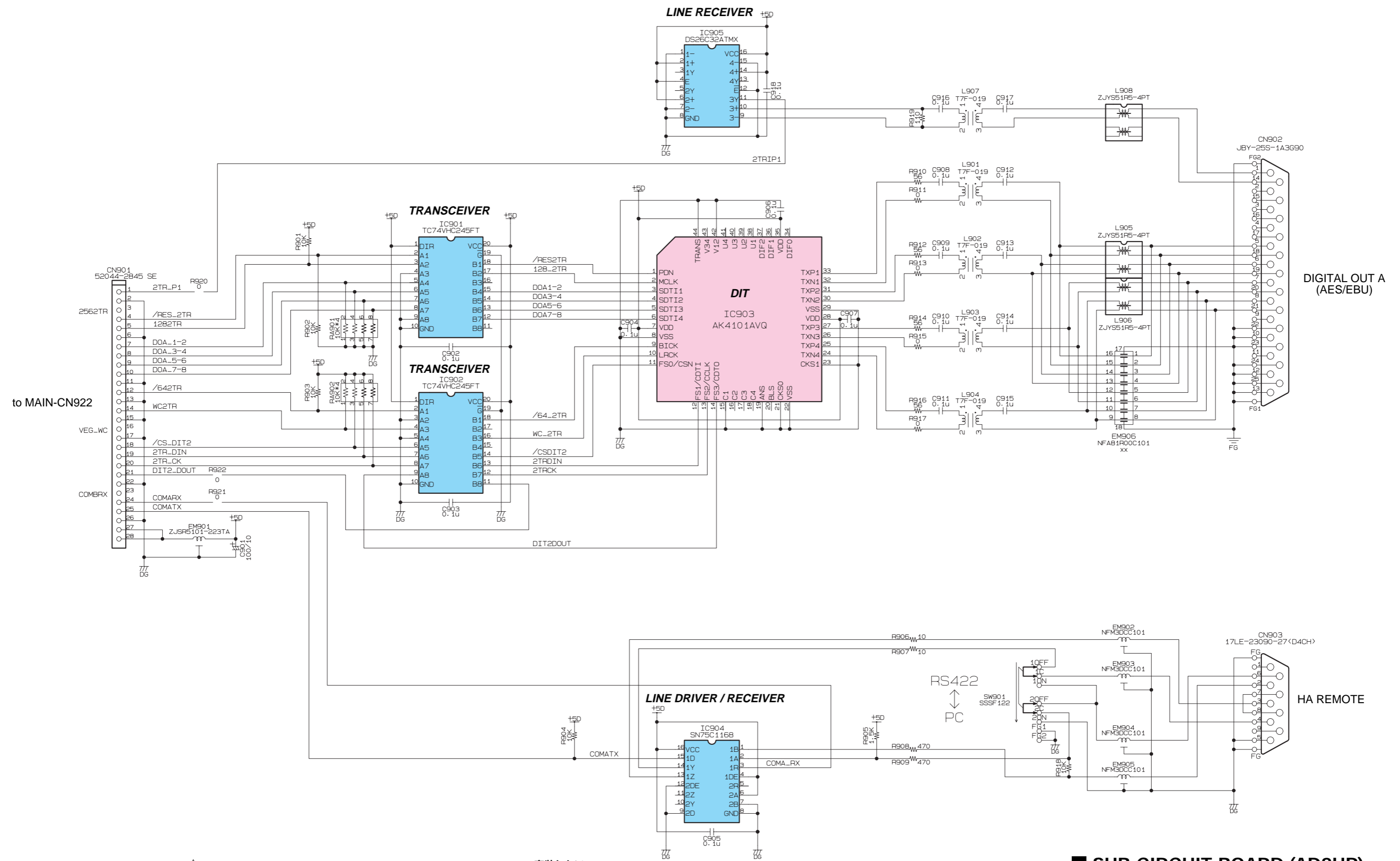
AD8HR



(F) : Metal Film Resistor (金属被膜抵抗)

■ SUB CIRCUIT BOARD (AD8HR)

AD8HR

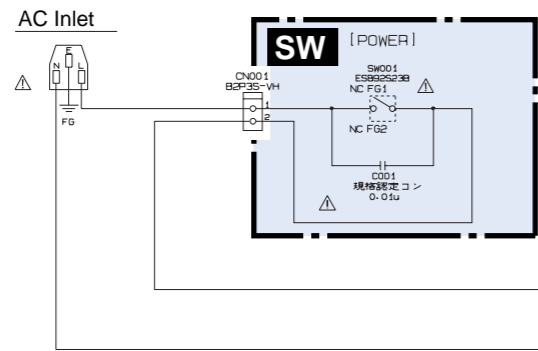


DIGITAL OUT A (AES/EBU)

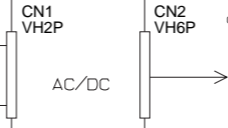
HA REMOTE

SW, DC CIRCUIT BOARD (AD8HR)

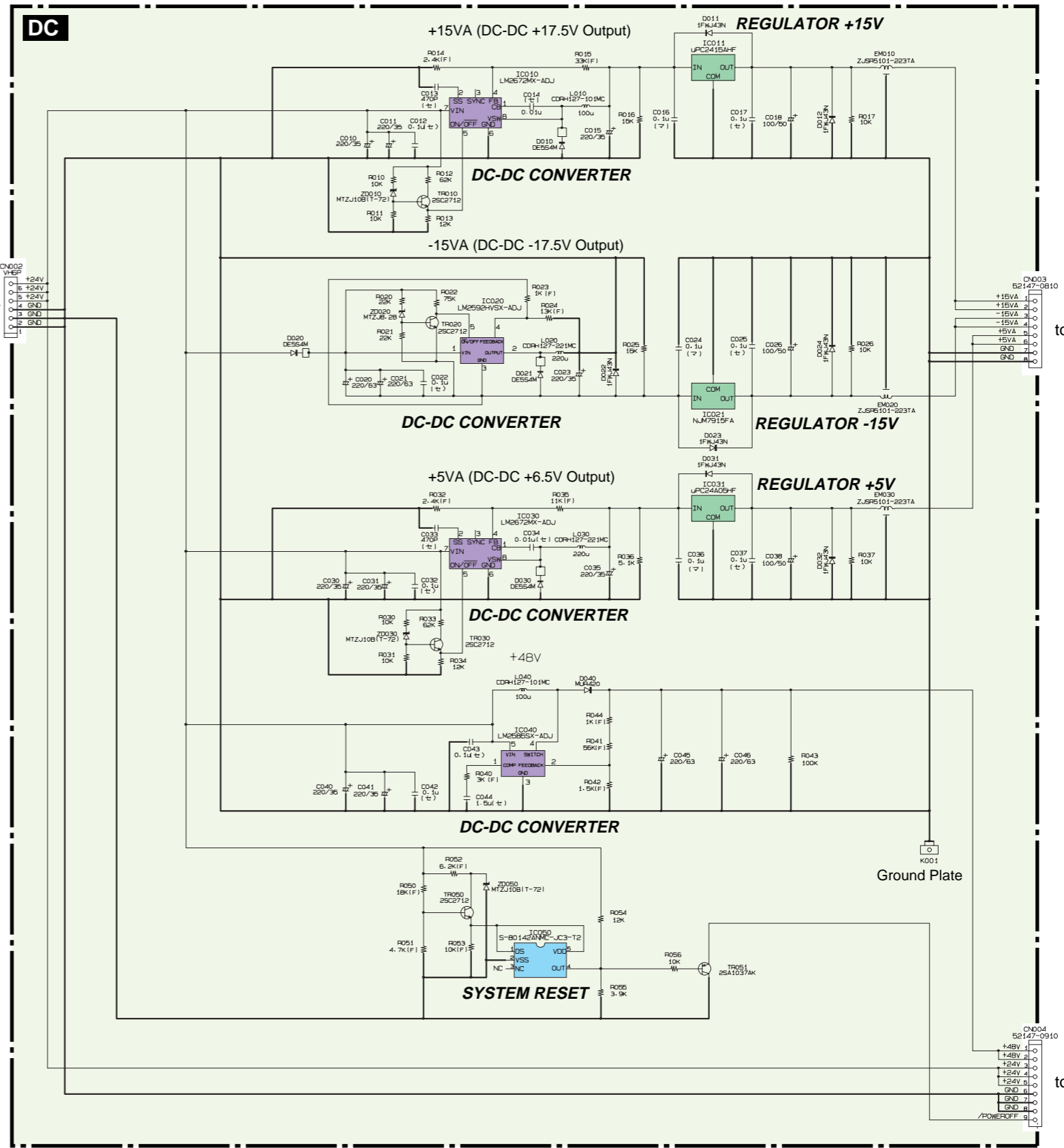
AD8HR



POWER SUPPLY UNIT (WC518600)



<p>• LM2672MX-ADJ (X2536A00) DC-DC CONVERTER IC010,030</p> <p>1: CB 2: SS 3: SYNC 4: FB 5: ON / OFF 6: GND 7: VIN 8: VSW</p>	<p>• LM2592HV5X-ADJ (X4364A00) DC-DC CONVERTER IC020</p> <p>Tab is Ground 1: VIN 2: OUTPUT 3: GND 4: FEEDBACK 5: ON / OFF</p>	<p>• LM2585SX-ADJ (X4360A00) DC-DC CONVERTER IC040</p> <p>Tab is Ground 1: COMP 2: FEEDBACK 3: GND 4: SWITCH 5: VIN</p>
<p>• μPC2415AHF (XR608A00) REGULATOR +15V IC011</p> <p>1: INPUT 2: COMMON 3: OUTPUT</p>	<p>• μPC24A05HF (XM967A00) REGULATOR +5V IC031</p> <p>1: INPUT 2: COMMON 3: OUTPUT</p>	<p>• NJM7915FA (XD854A00) REGULATOR -15V IC021</p> <p>1: OUTPUT 2: INPUT 3: COMMON</p>
<p>• MTZJ10B (VQ296000) ZENER DIODE ZD010,030,050 • MTZJ8.2B (VQ554500) ZENER DIODE ZD020</p> <p>1: ANODE 2: CATHODE</p>	<p>• DE5S4M (V2330500) DIODE D010, 021, 030</p> <p>1: V in 2: GND 3: V out 4: GND</p>	<p>• 1FVJ43N (V5454500) DIODE D011,012,022-024,031,032</p> <p>1: ANODE 2: CATHODE</p>
<p>• MUR420 (WB799600) DIODE D040</p> <p>1: ANODE 2: CATHODE</p>		



(セ) : Ceramic Capacitor (セラミックコンデンサー)
 (マ) : Mylar Capacitor (マイラーコンデンサー)
 (F) : Metal Film Resistor (金属被膜抵抗)
 ⚠ : Safe important parts (安全重要部品)

28CC1-8829585-1

SW, DC CIRCUIT BOARD (AD8HR)